

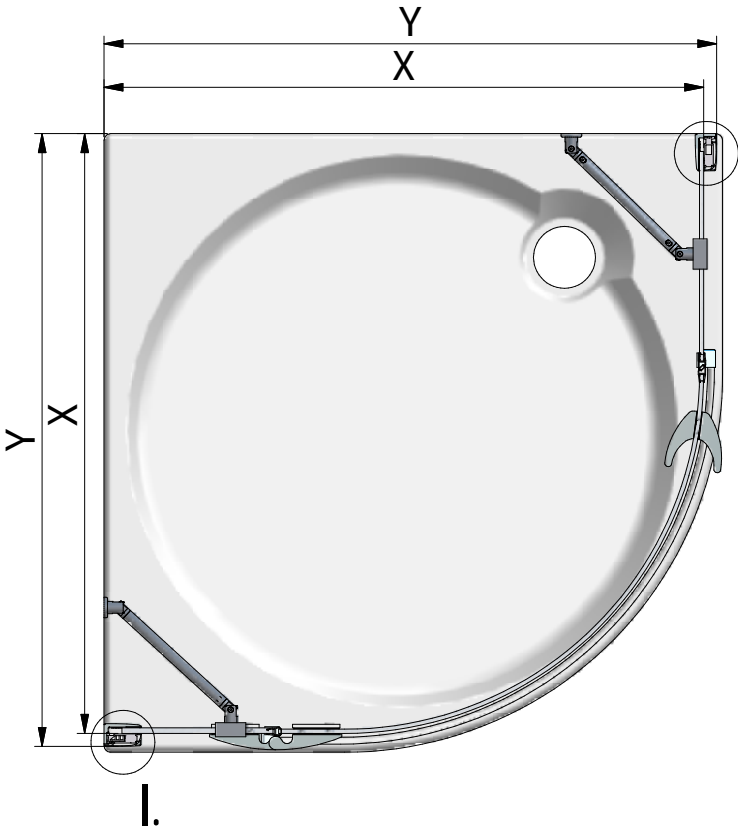
GRL1

GRP1

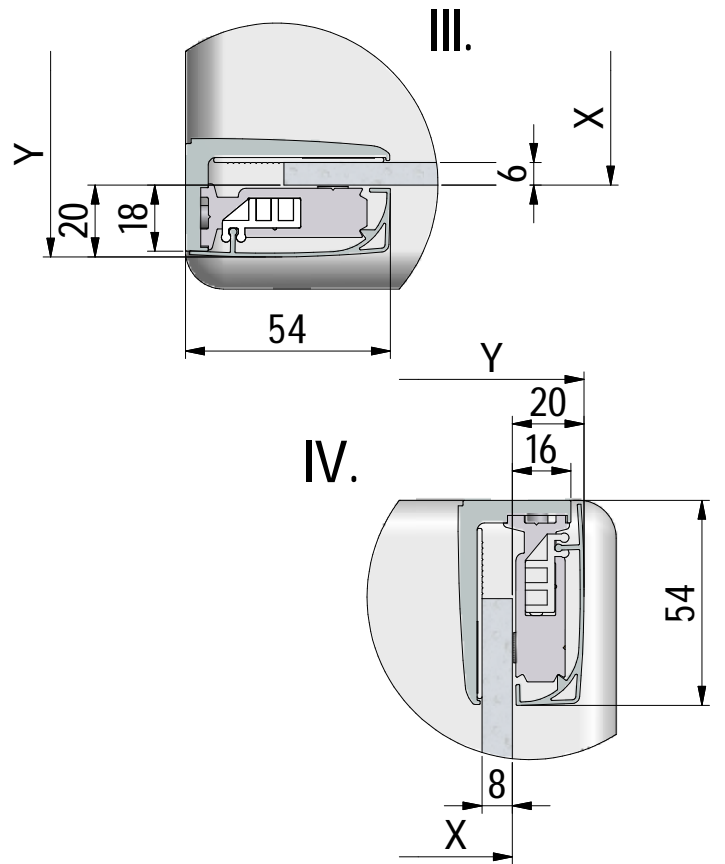
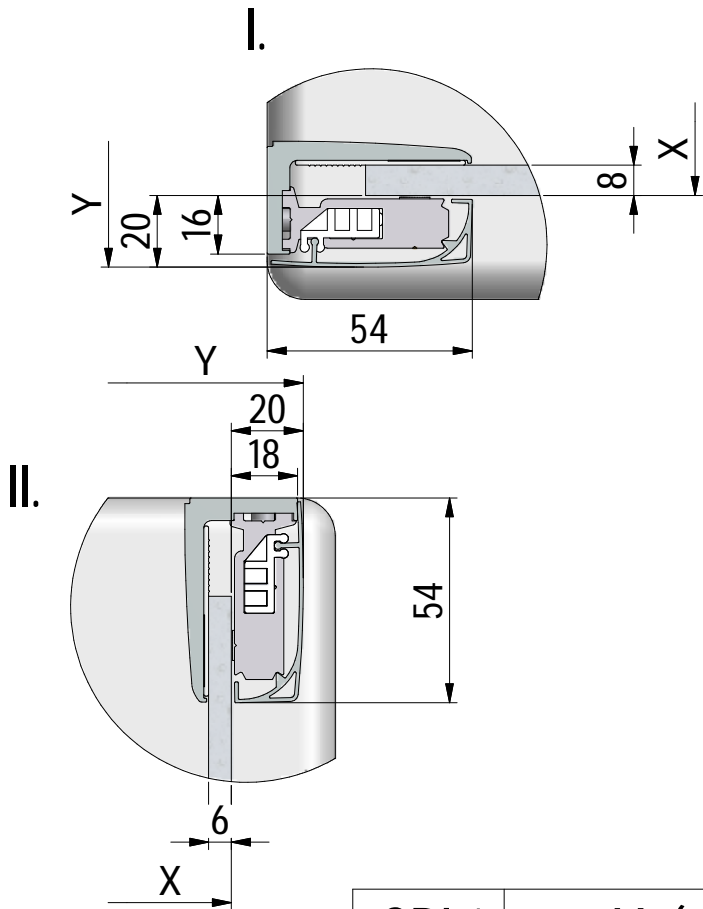
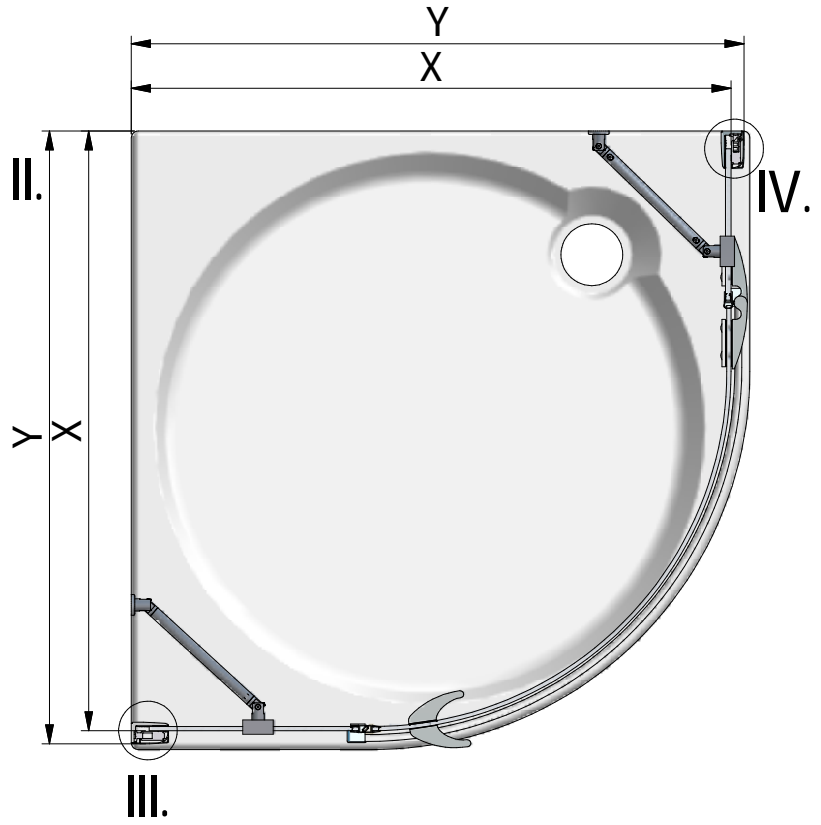


Roltechnik a.s.; Czech Republic, 56933 Třebořov 160,
tel.:+420 461 324 301, fax: +420 461 324 297,
<http://www.roltechnik.cz>; e-mail: objednavky@roltechnik.cz

GRL1

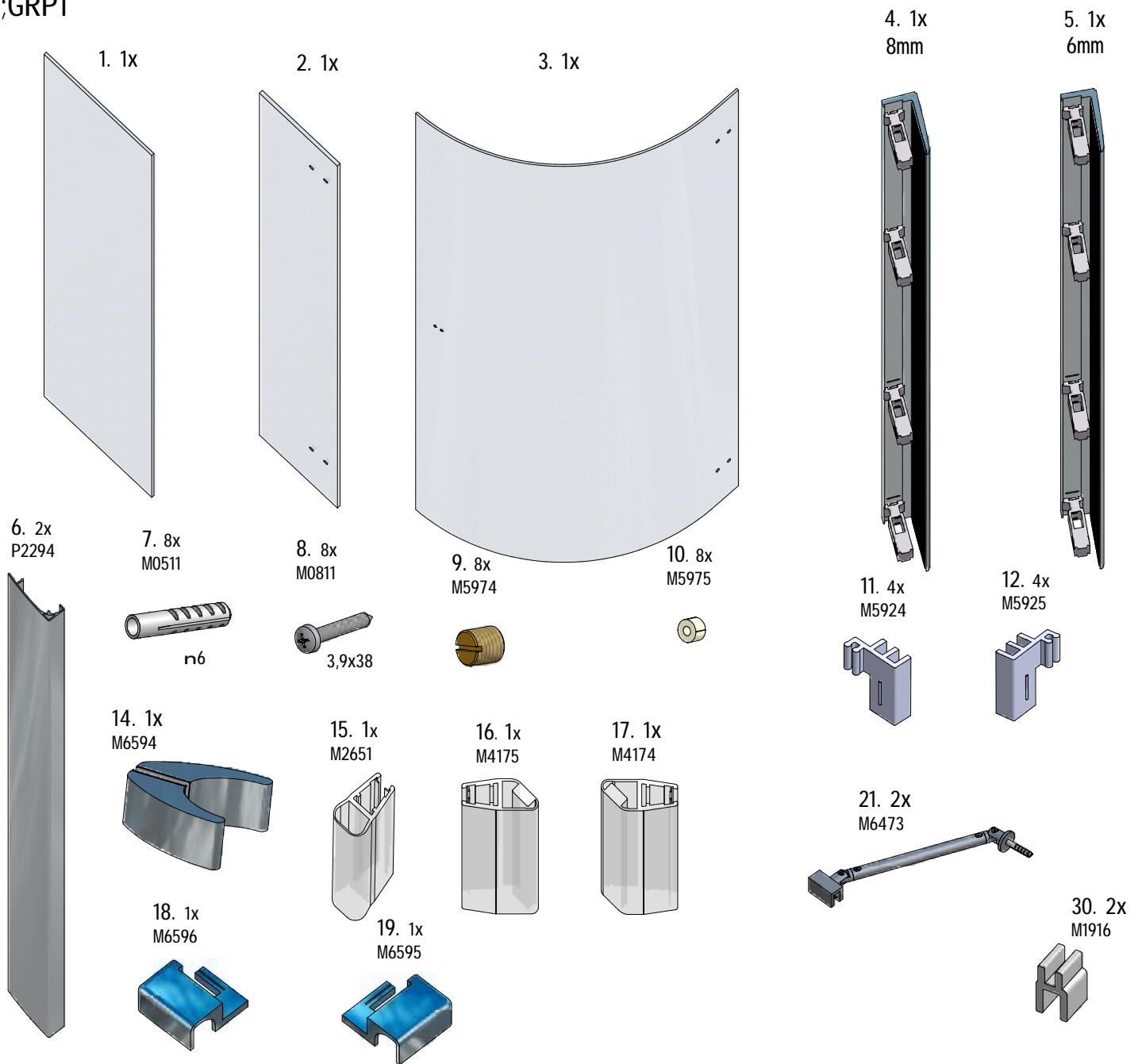


GRP1

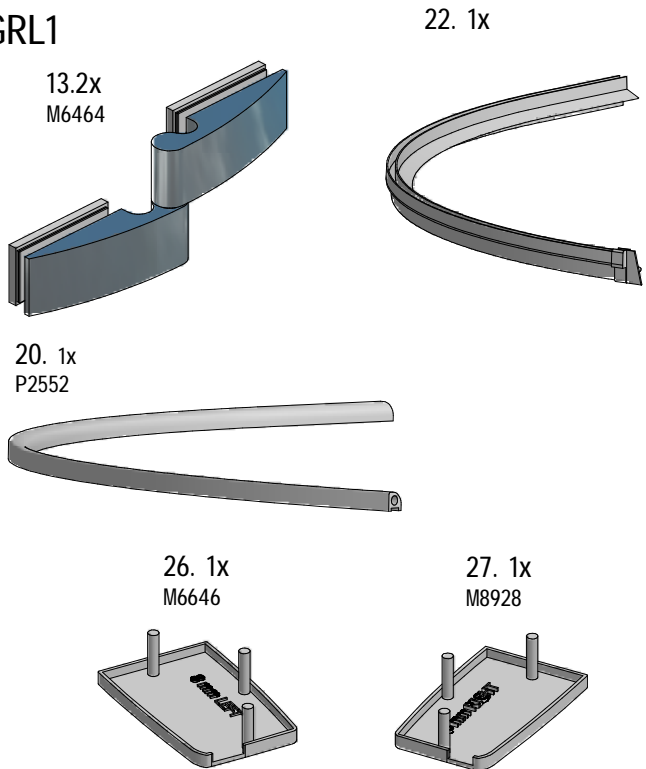


GRL1 GRP1	X (mm)		Y (mm)	
	MIN	MAX	MIN	MAX
900	855	870	875	890
1000	955	970	975	990

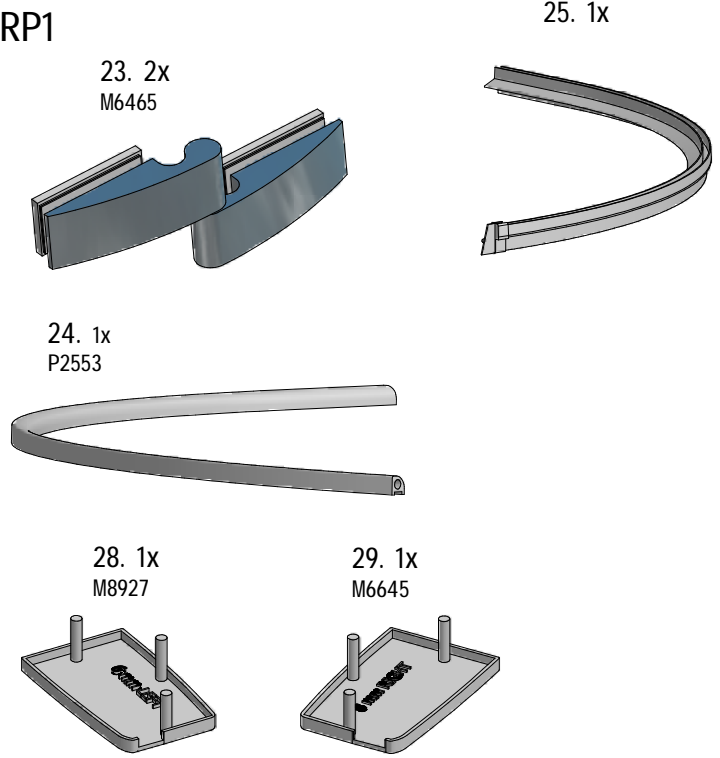
GRL1;GRP1

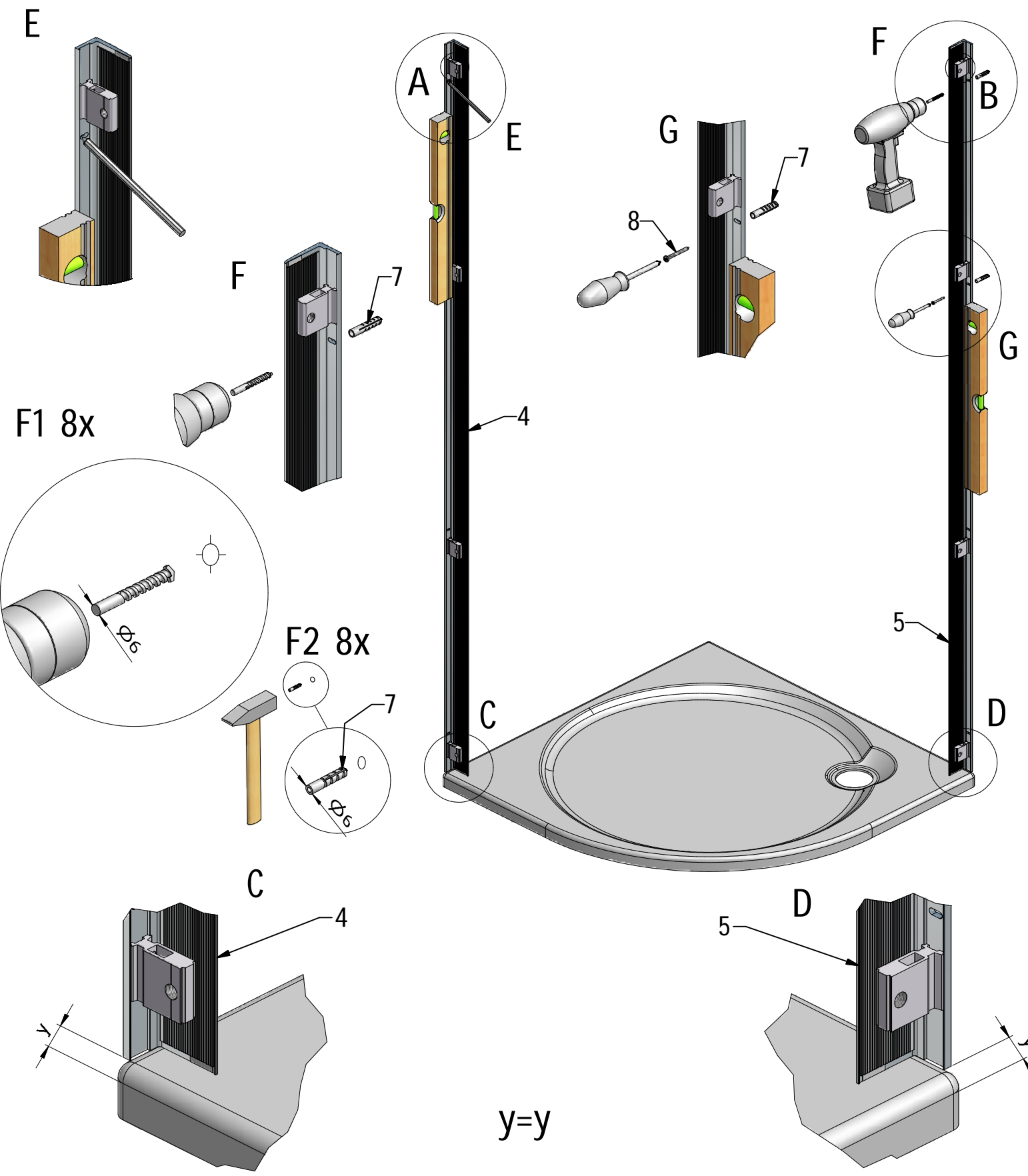
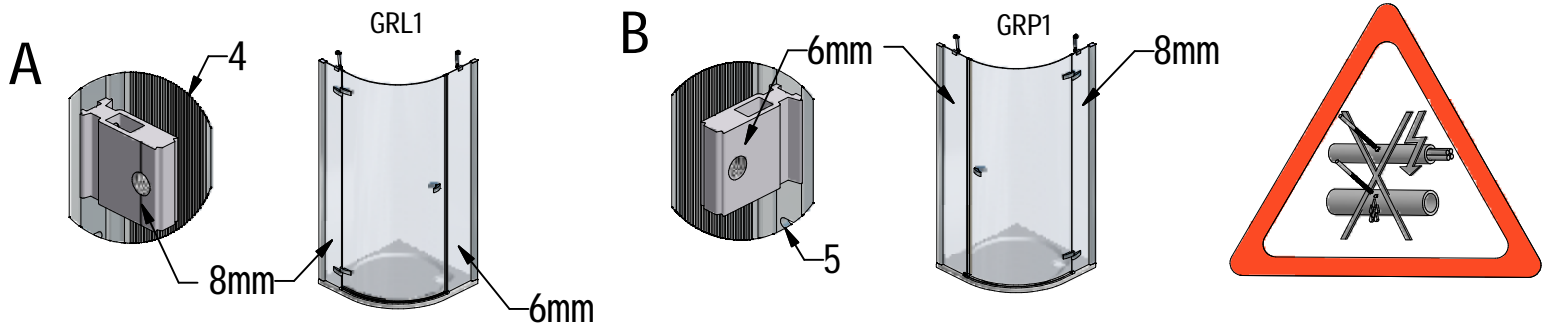


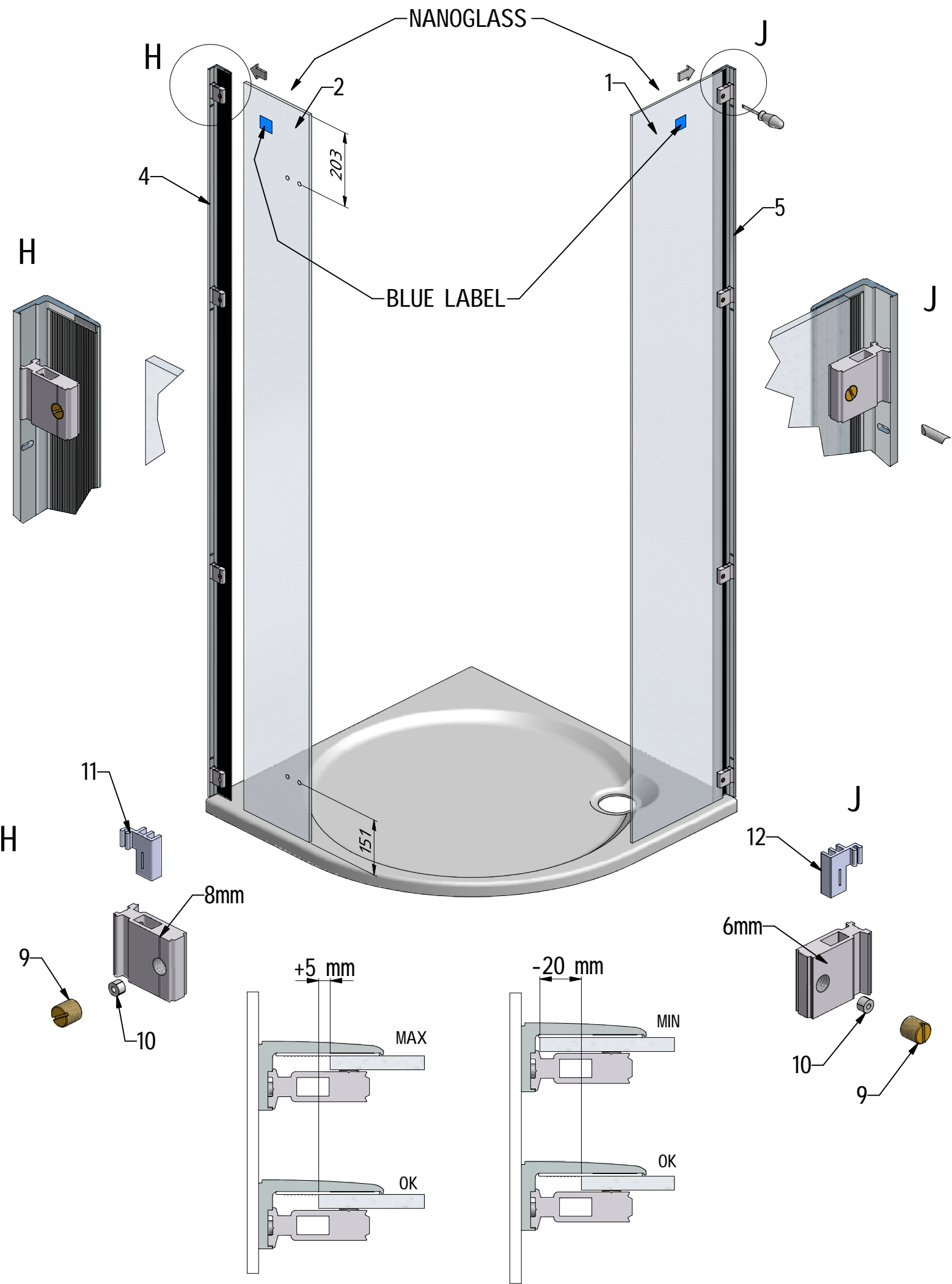
GRL1

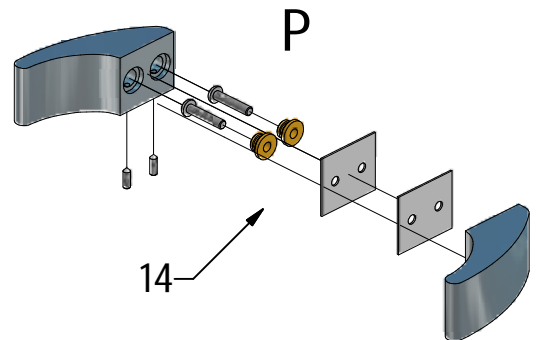
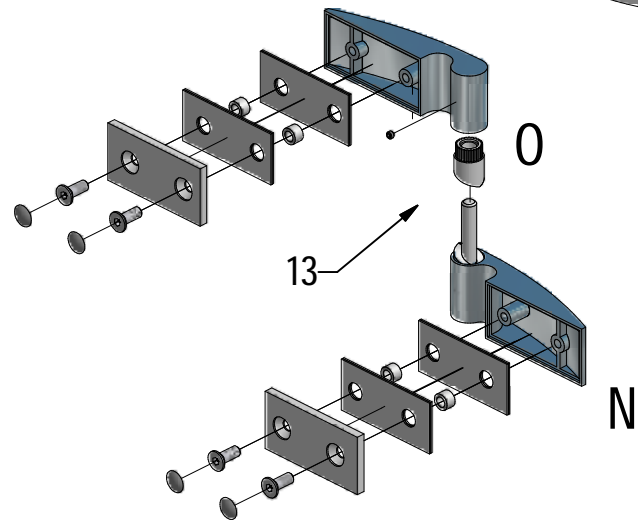
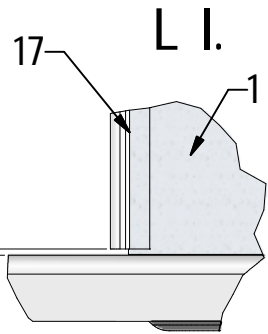
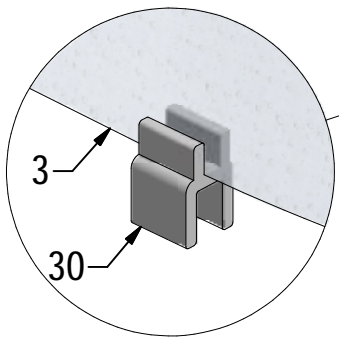
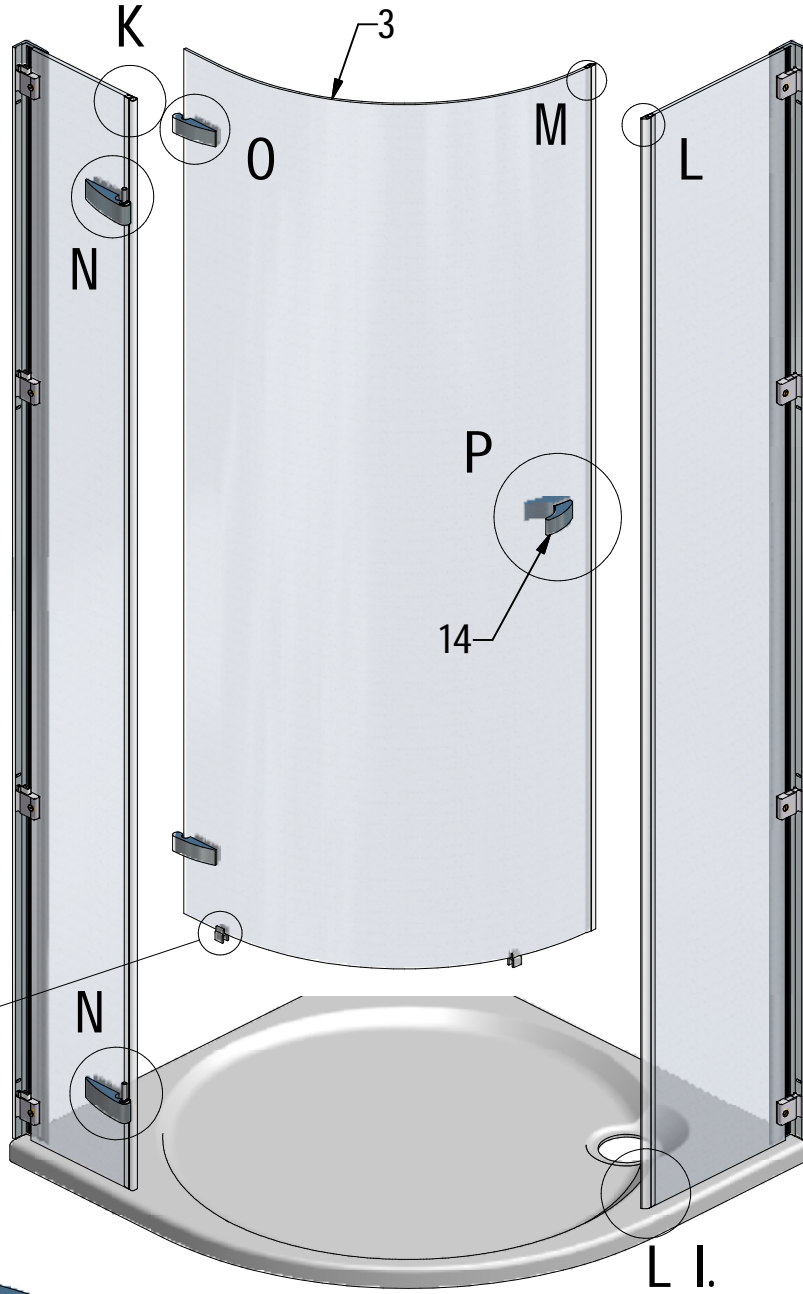
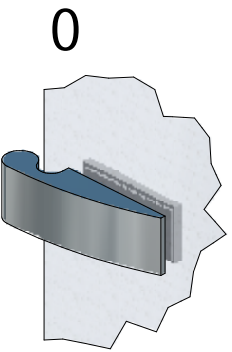
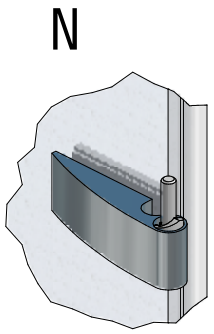
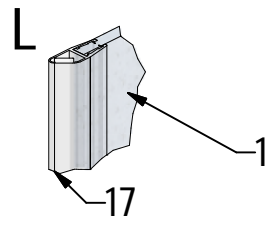
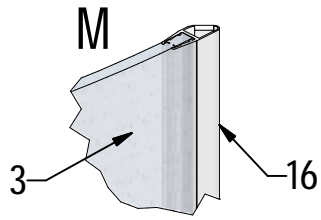
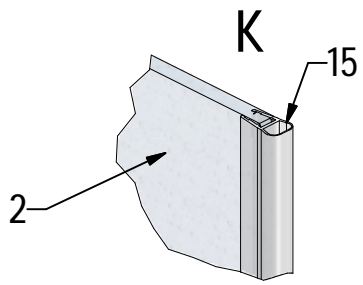


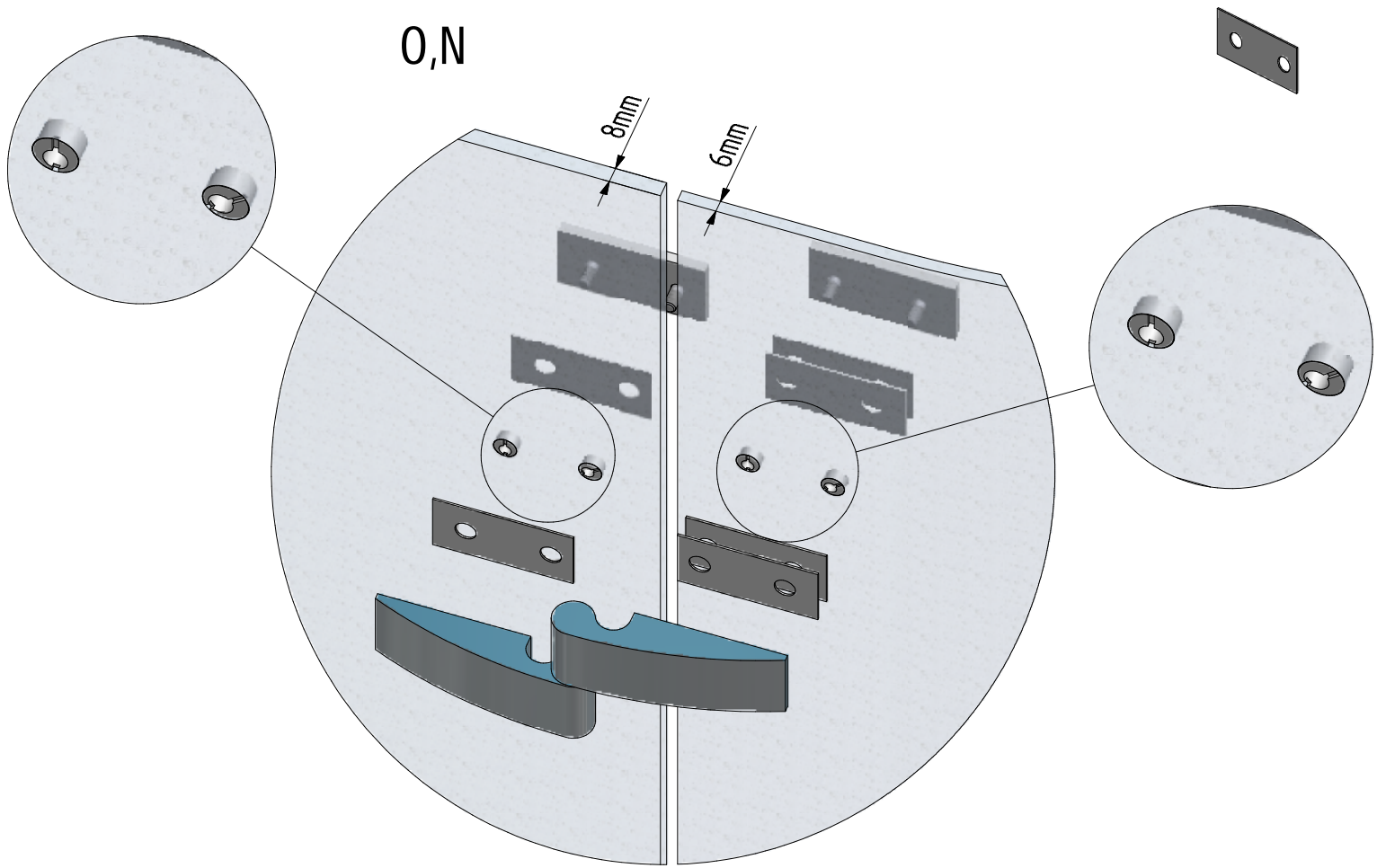
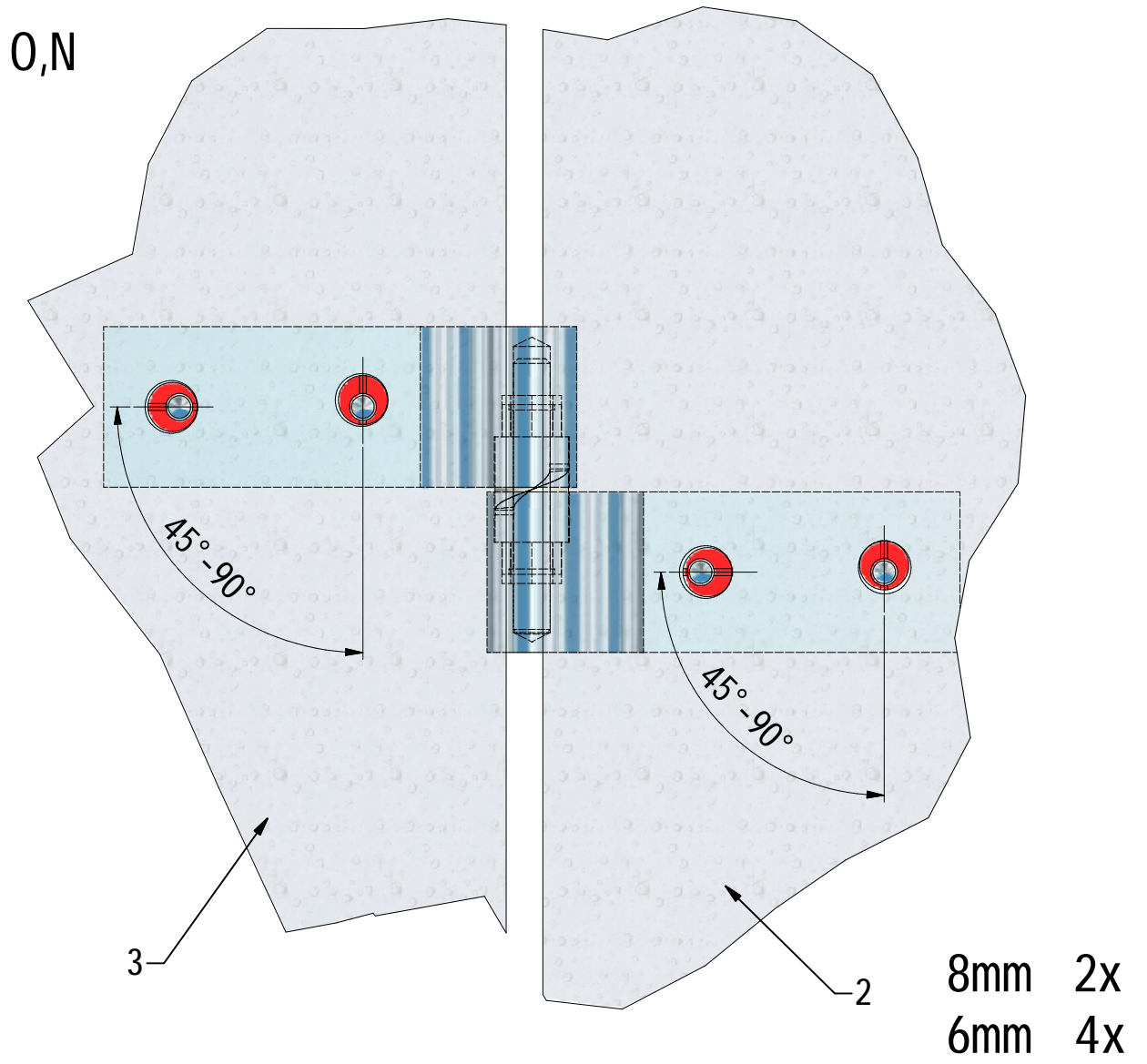
GRP1

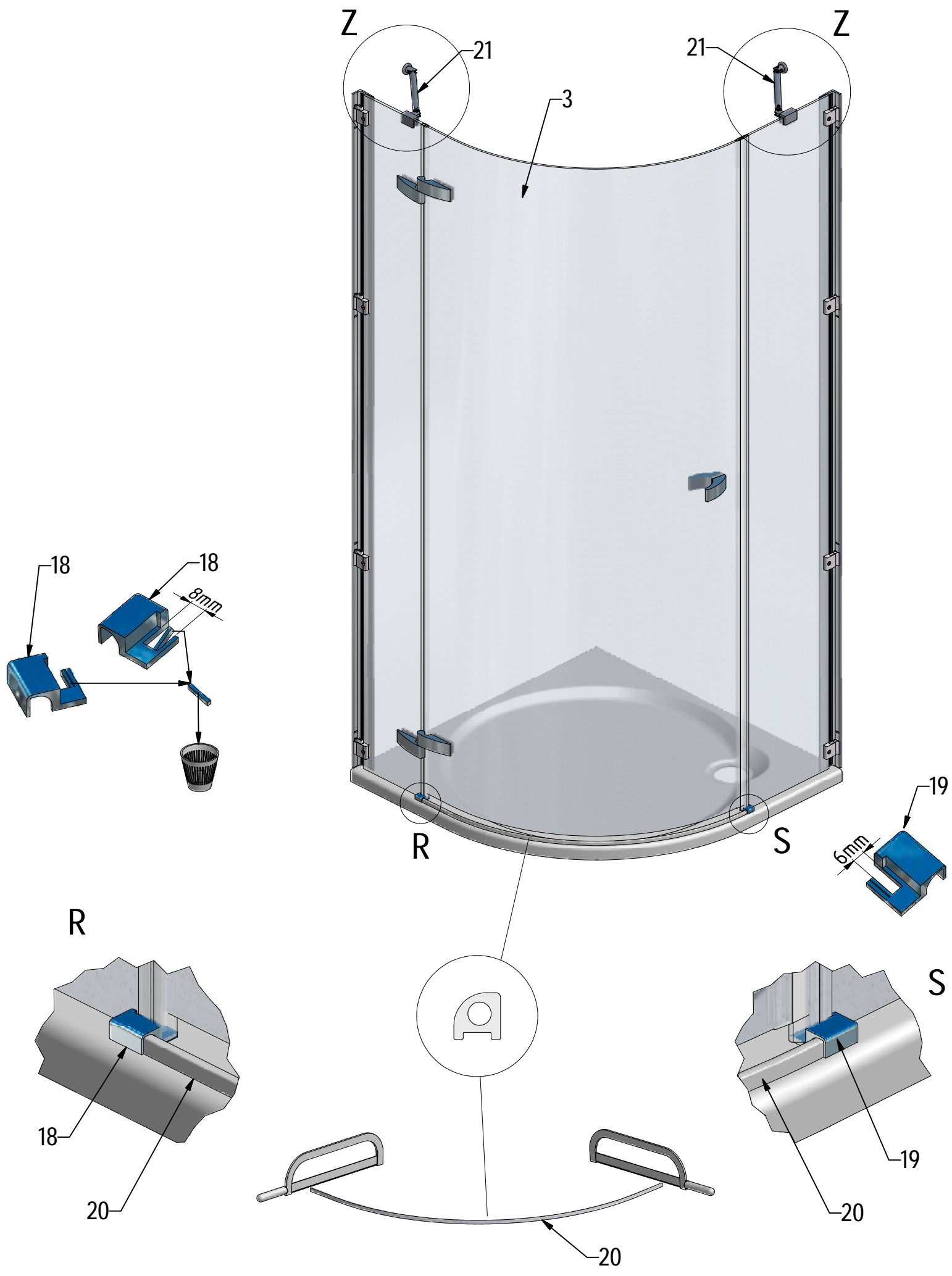












Z

21

21

Z

3

18

18

8mm

R

S

19

6mm

R

S

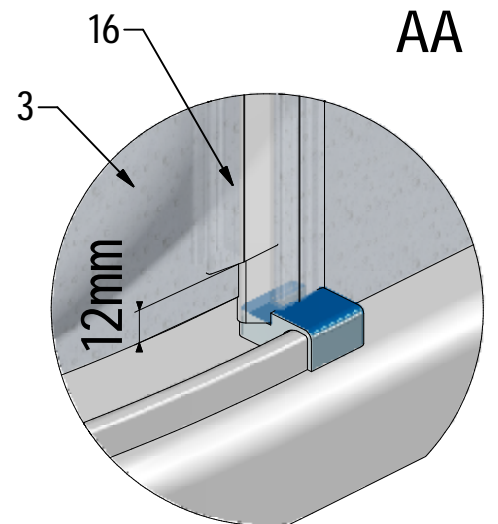
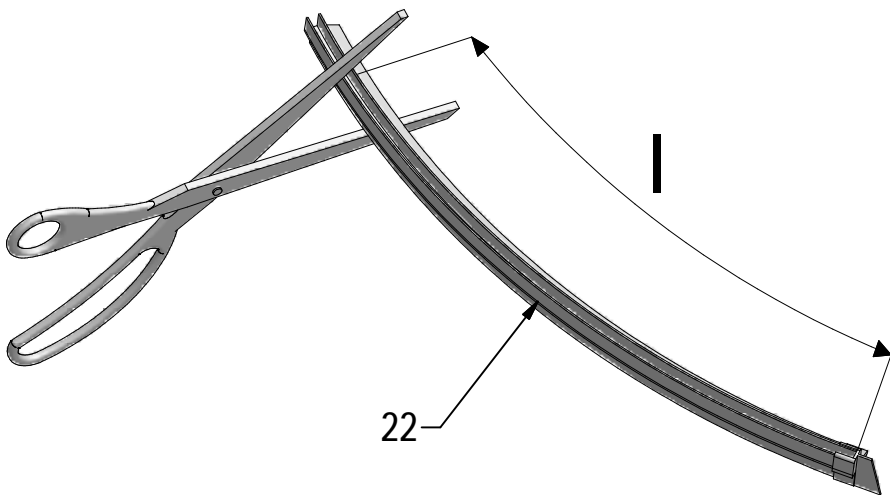
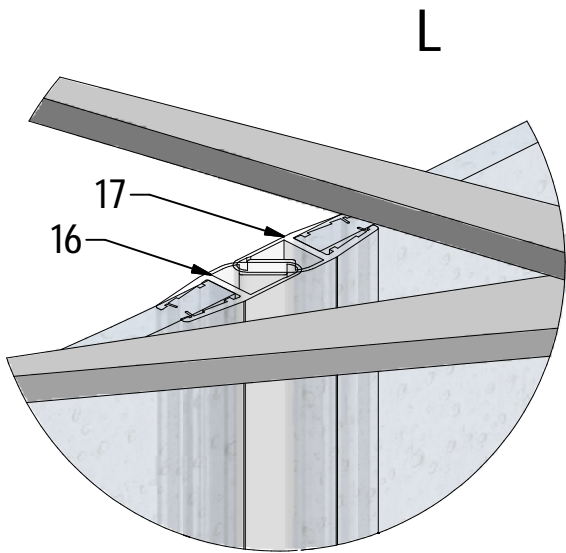
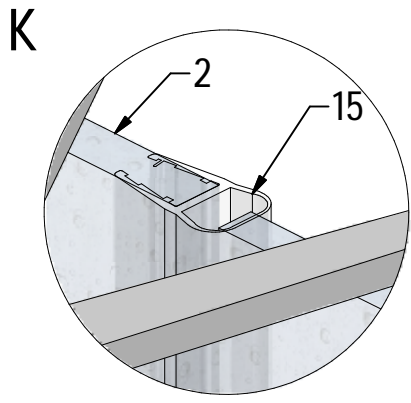
18

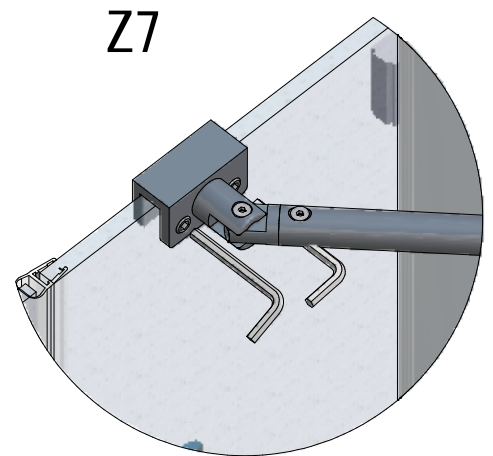
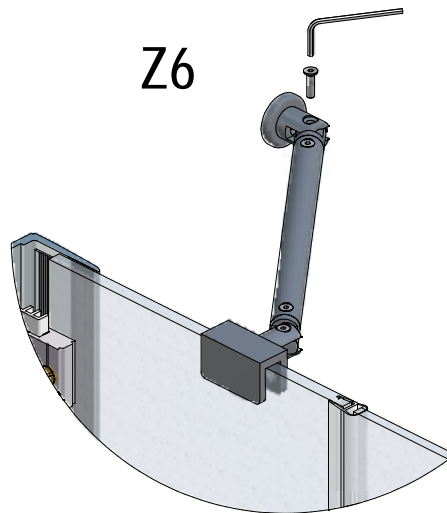
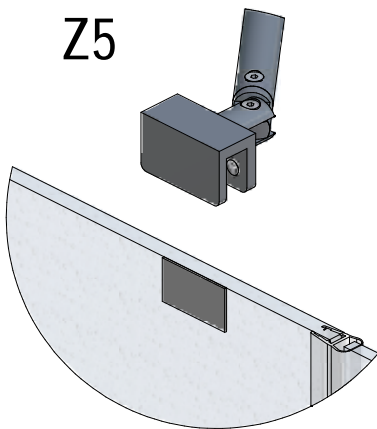
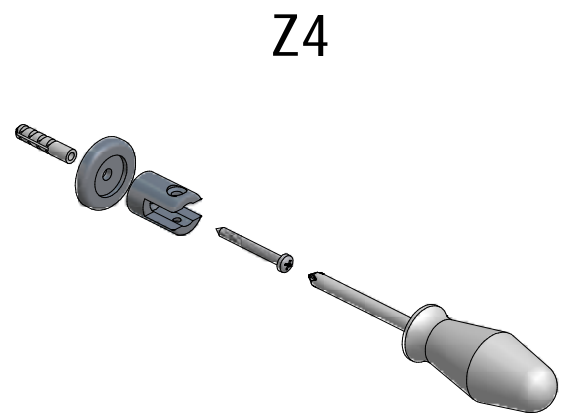
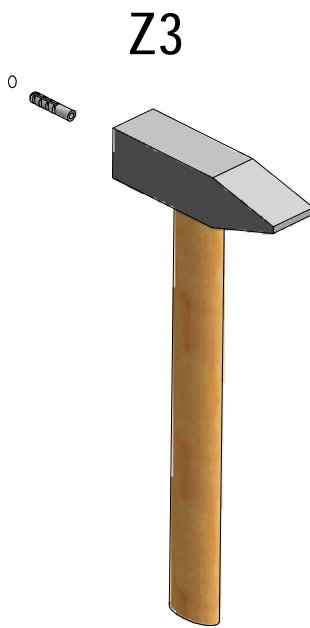
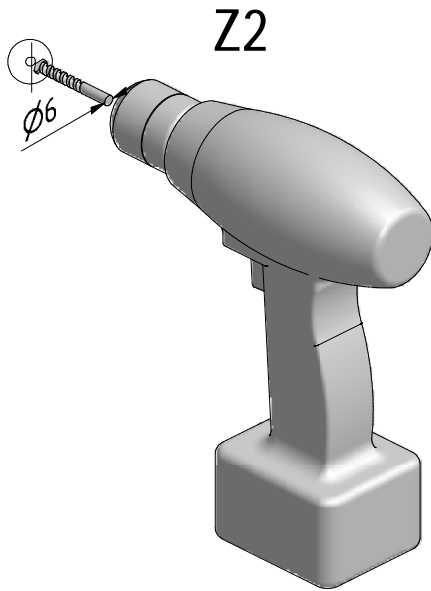
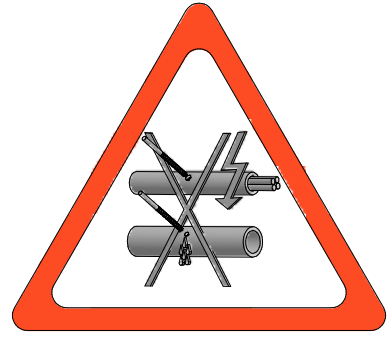
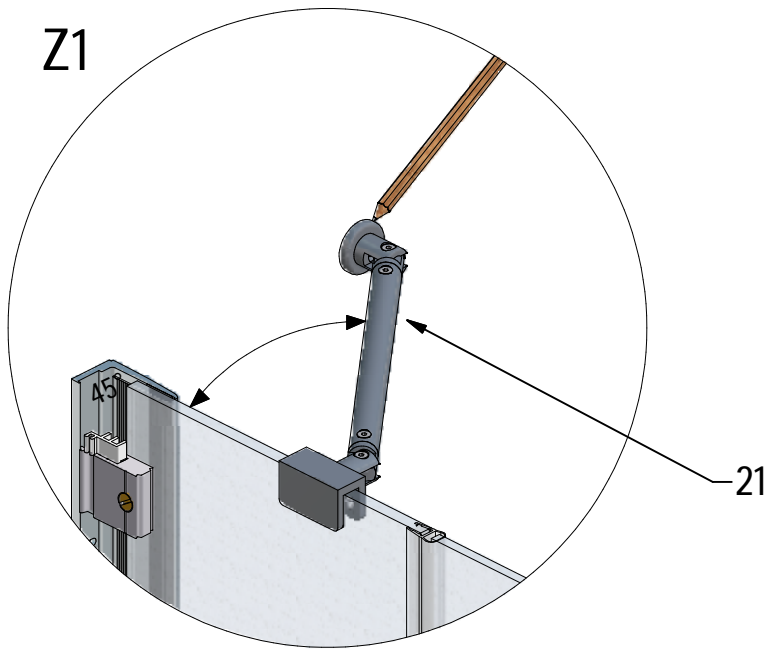
19

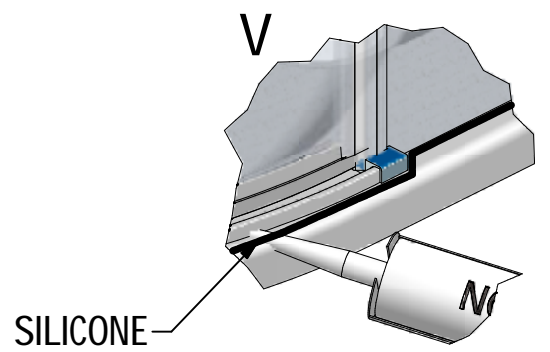
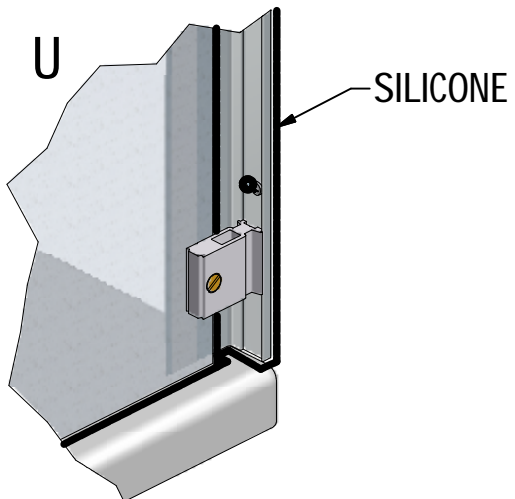
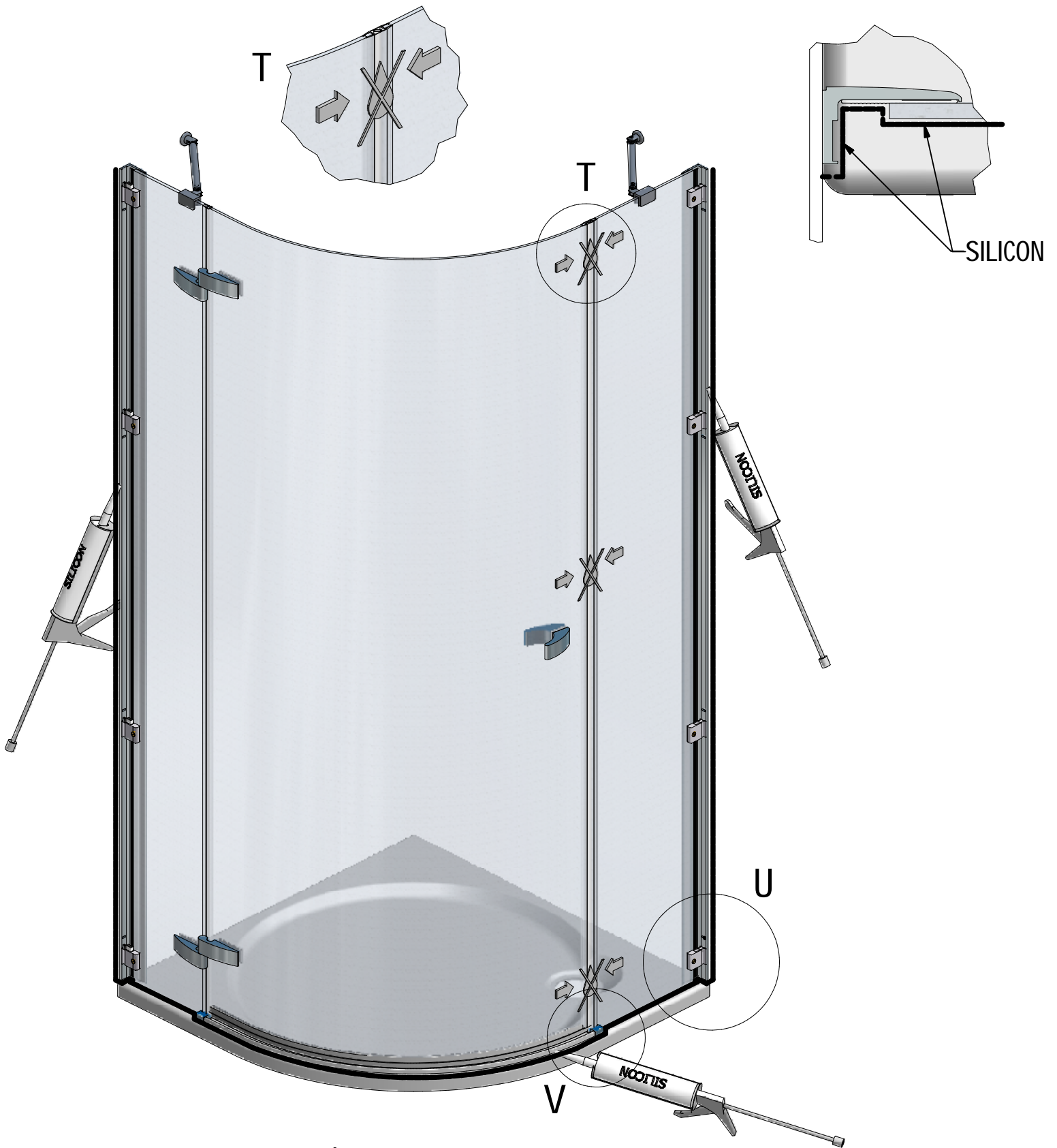
20

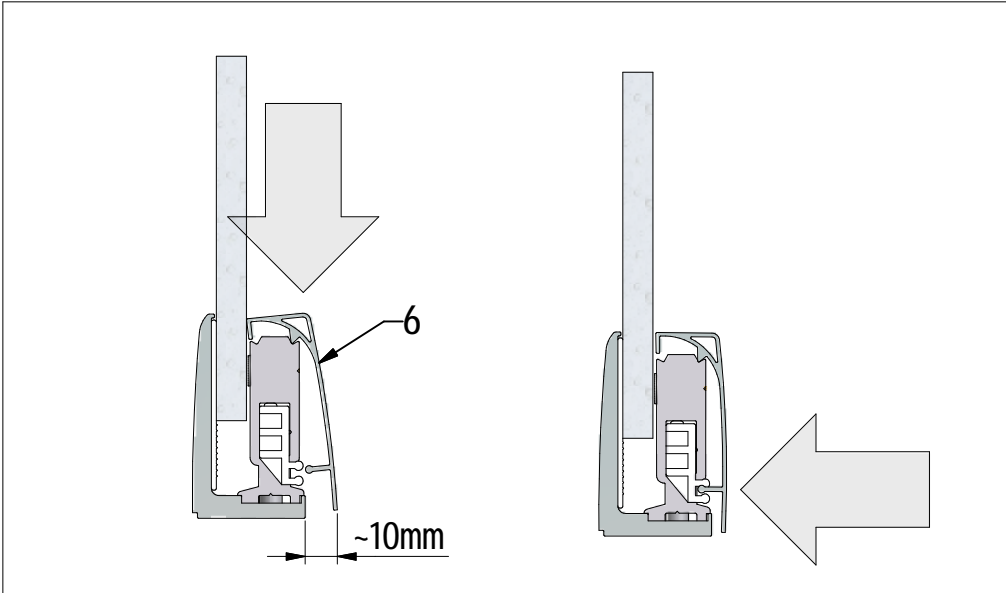
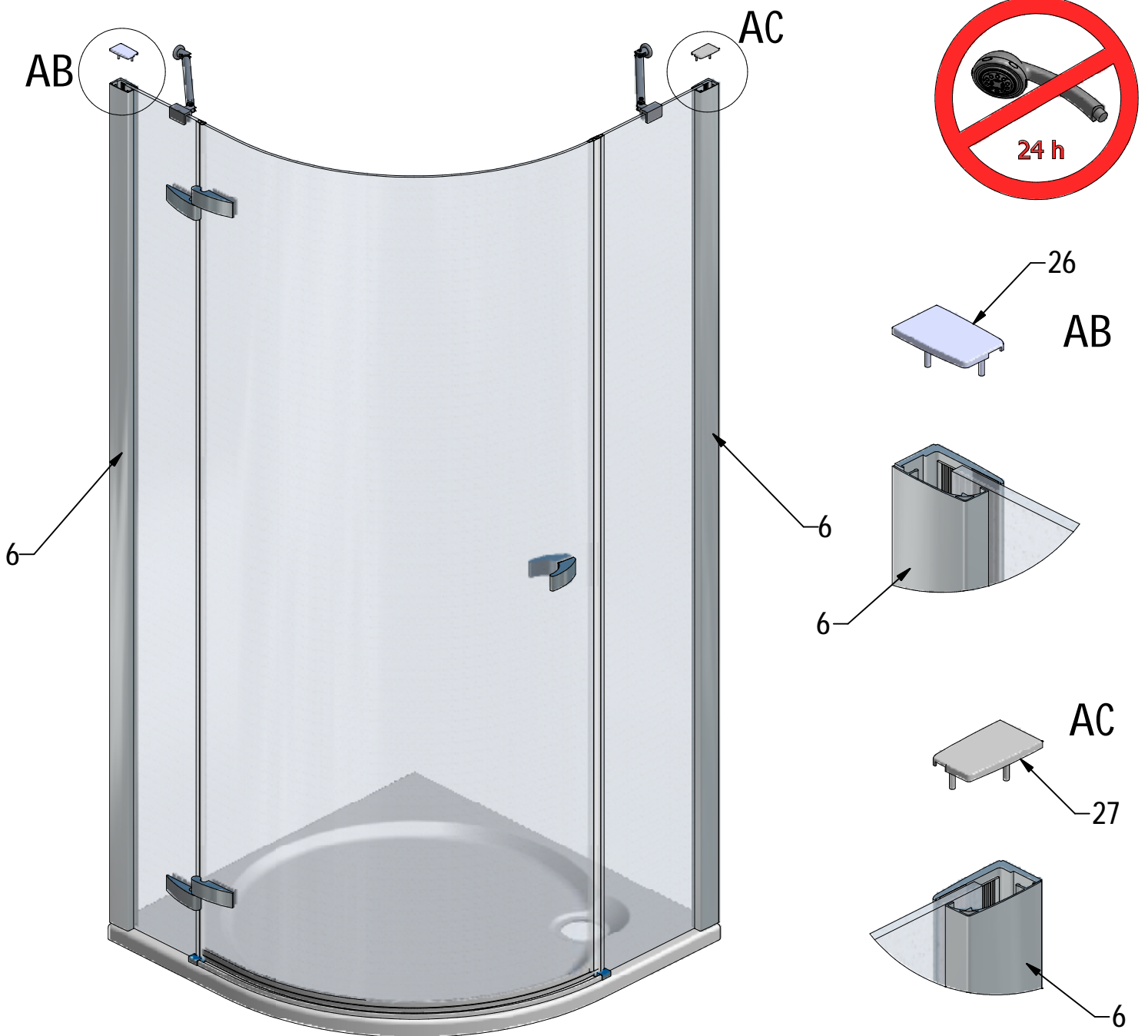
20

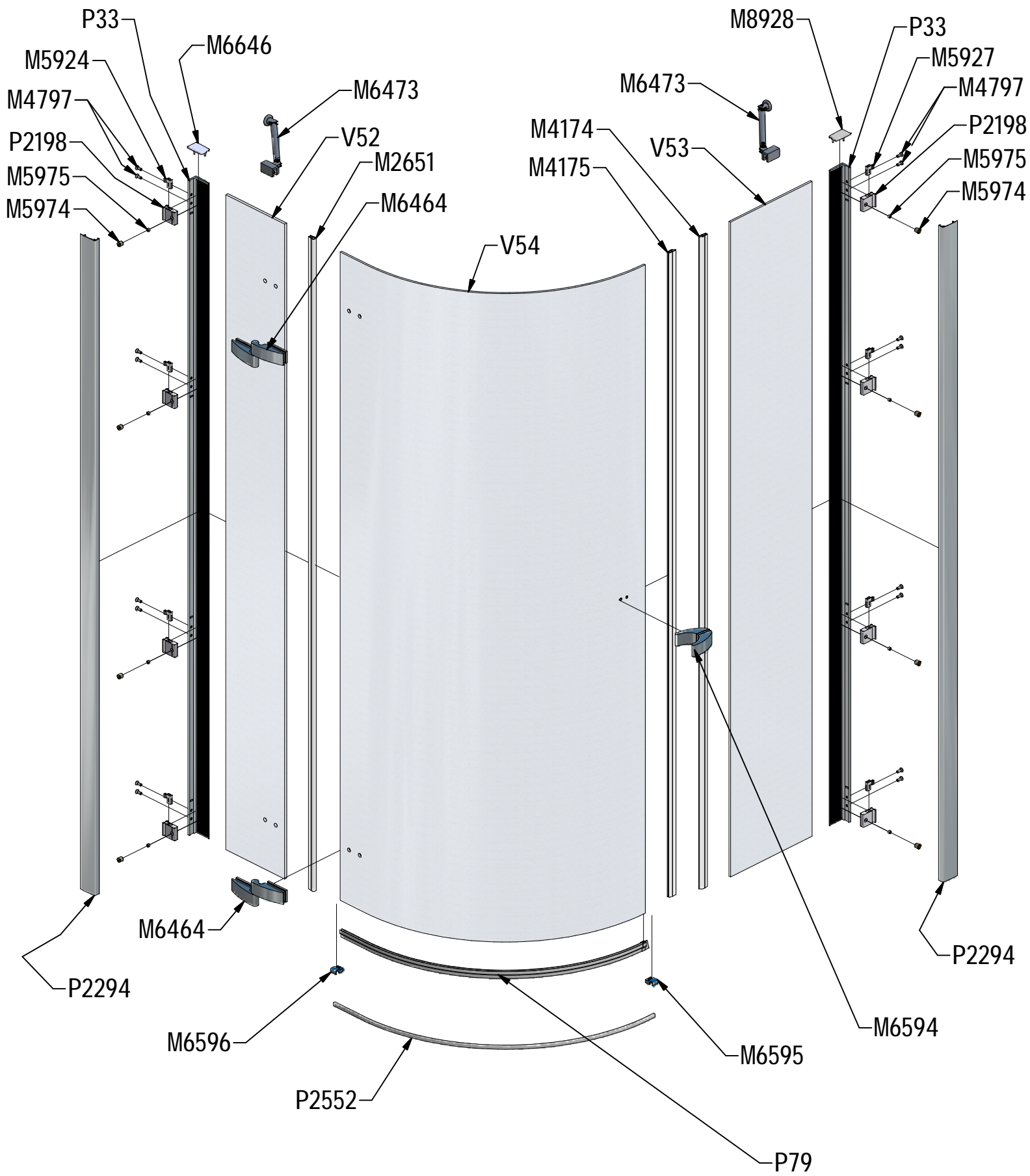
20

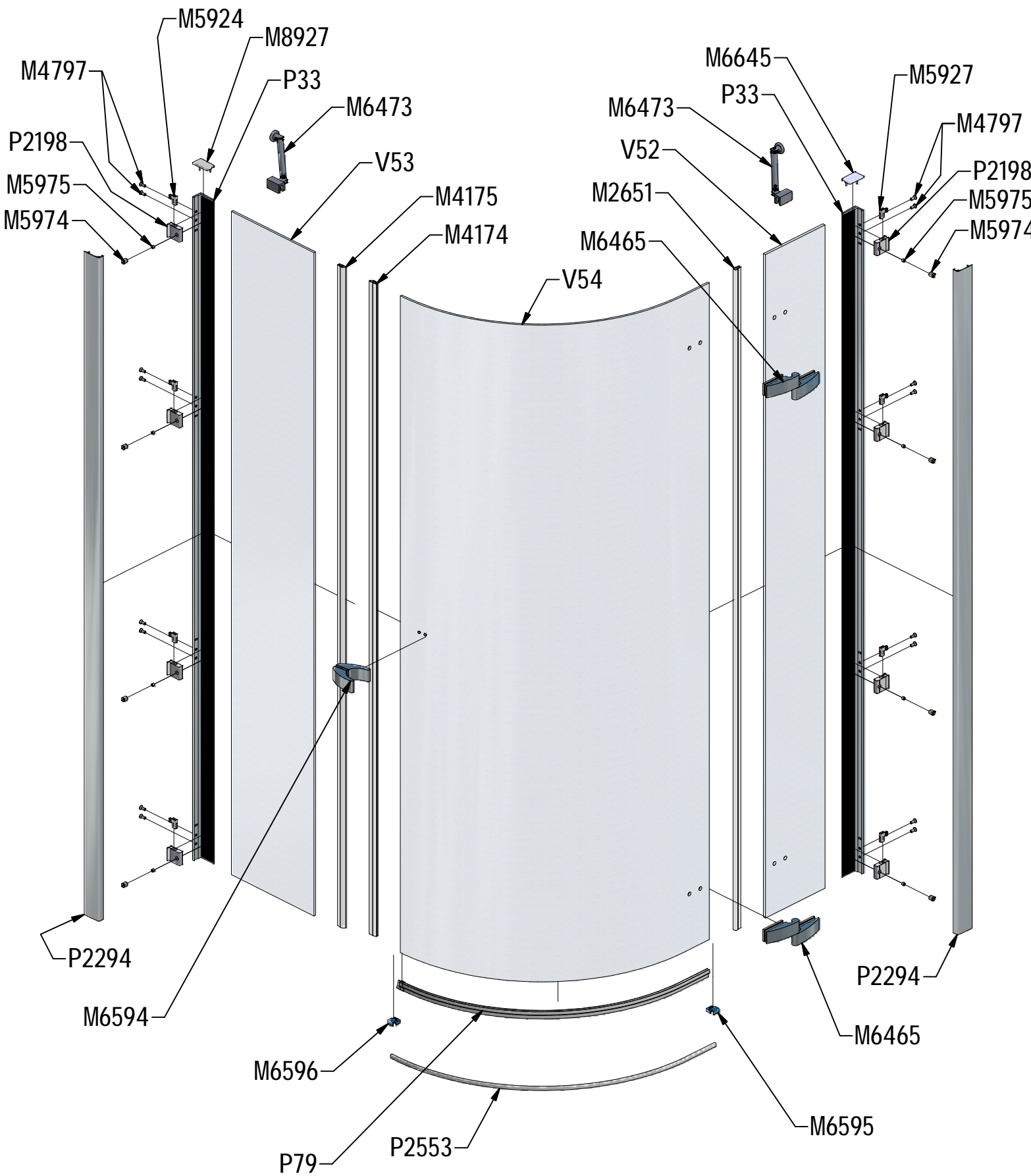












P33			ND01-0973-00
P79			ND01-2418

V52	900	clear glass	ND03-0278-00-02
V52	1000	clear glass	ND03-0279-00-02
V53	900	clear glass	ND03-0280-00-02
V53	1000	clear glass	ND03-0281-00-02
V54	900;1000	clear glass	ND02-0327-00-02



**ROLTECHNIK a.s. / Třebov 160 / 569 33,
CZECH REPUBLIC**

10

EN 14428:2008+A1