

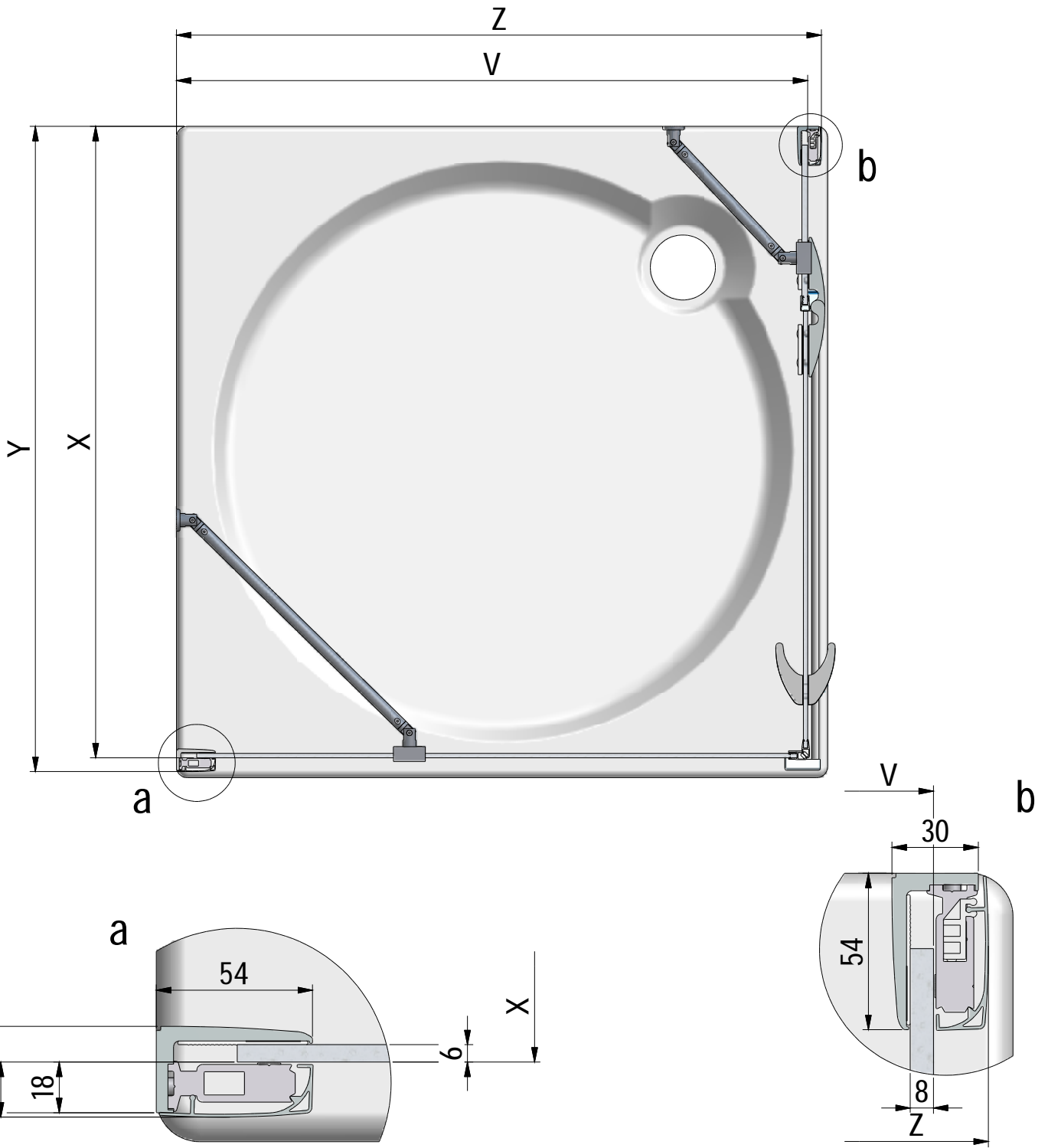
GBL+GDOP1



GDOL1+GBP

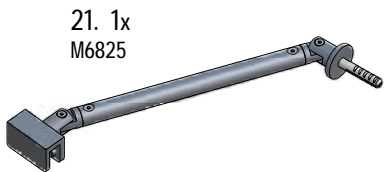
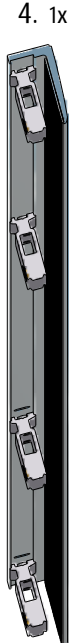


Roltechnik a.s.; Czech Republic, 56933 Třebařov 160,
tel.:+420 461 324 301, fax: +420 461 324 297,
<http://www.roltechnik.cz>; e-mail: objednavky@roltechnik.cz

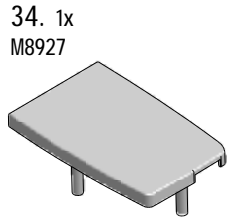
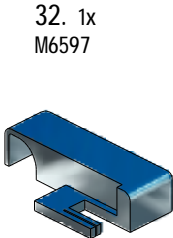
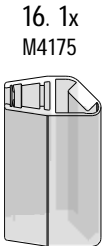


	GD01				GB			
	X(mm)		Y(mm)		V(mm)		Z(mm)	
	MIN	MAX	MIN	MAX	MIN	MAX	MIN	MAX
800	755	780	775	800	755	780	775	800
900	855	880	875	900	855	880	875	900
1000	955	980	975	1000	955	980	975	1000
1100	1055	1080	1075	1100	-	-	-	-
1200	1155	1180	1175	1200	-	-	-	-
1300	1255	1280	1275	1300	-	-	-	-
1400	1355	1380	1375	1400	-	-	-	-
1500	1455	1480	1475	1500	-	-	-	-

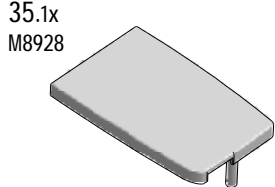
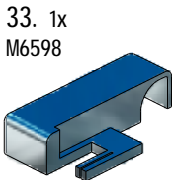
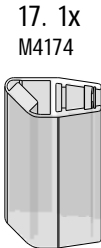
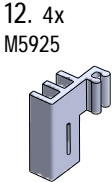
GBL;GBP

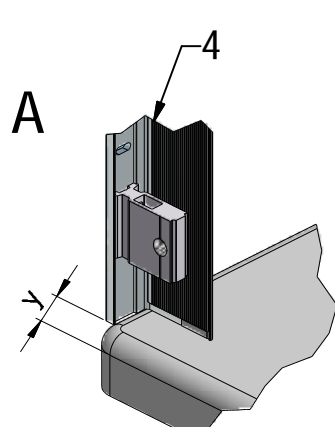
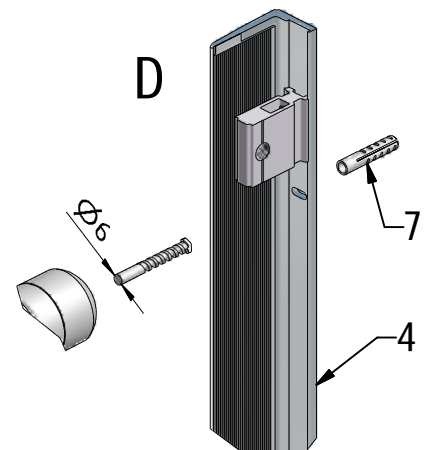
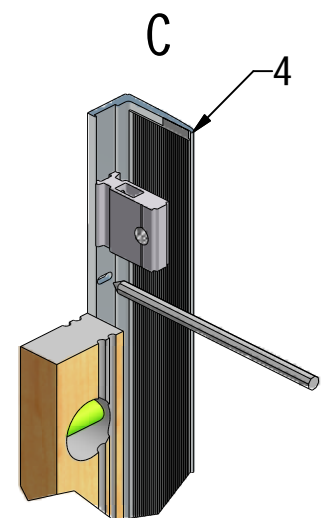
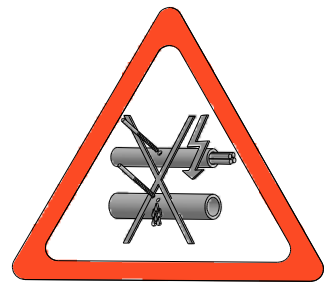
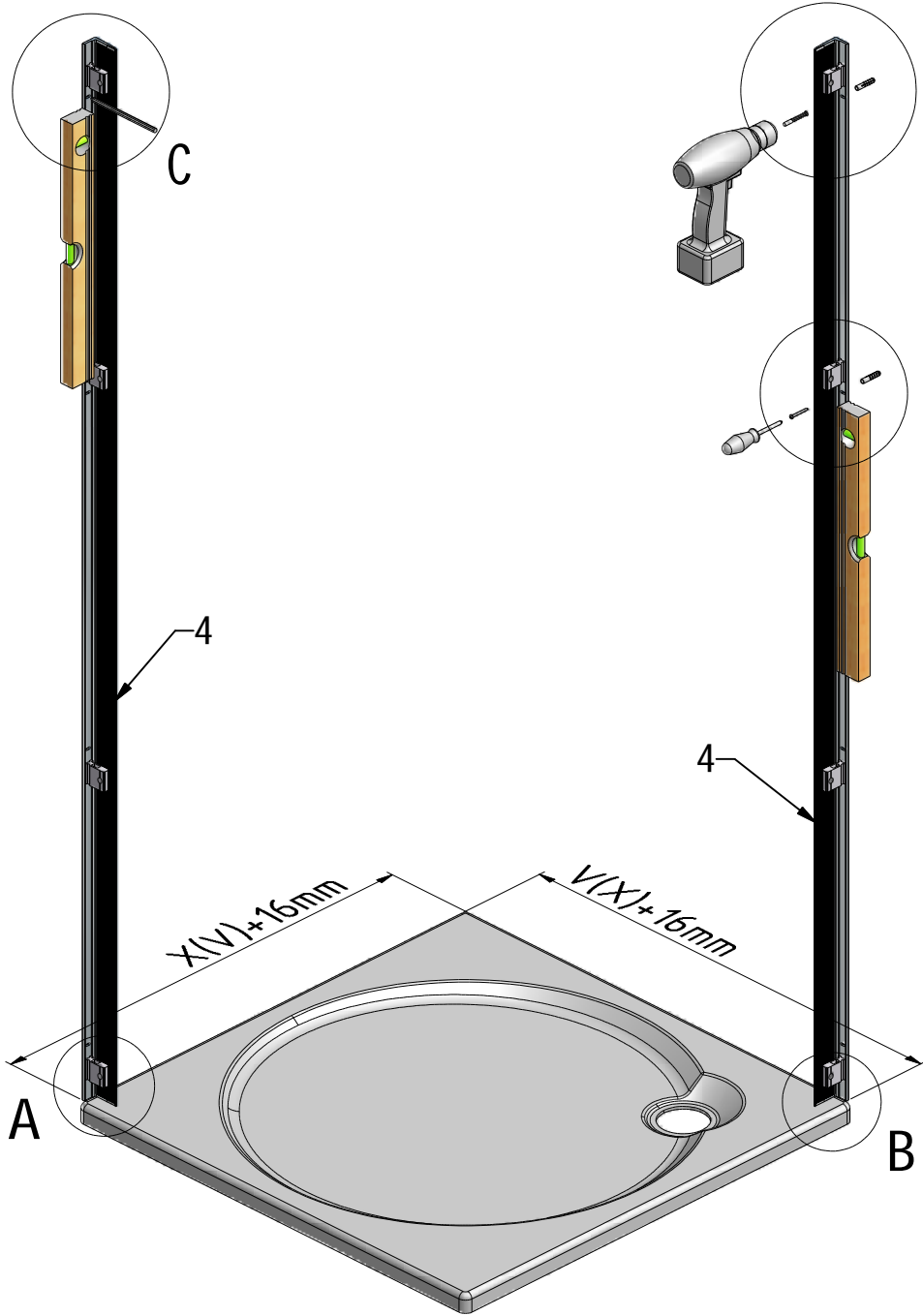


GBL

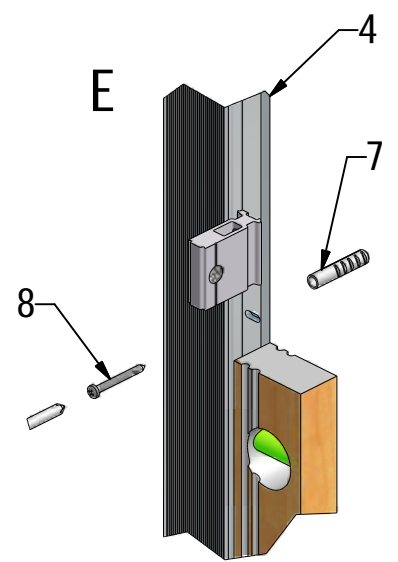
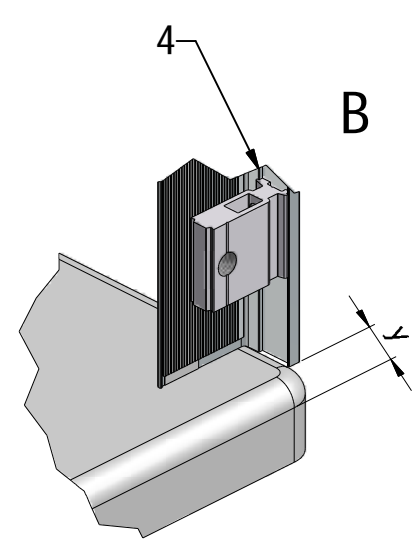


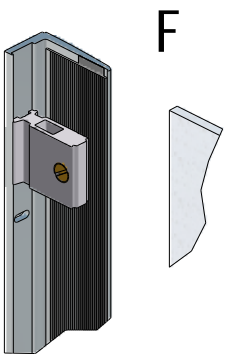
GBP



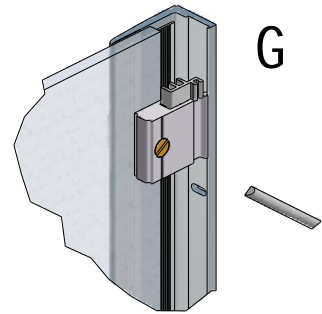


$y = y$

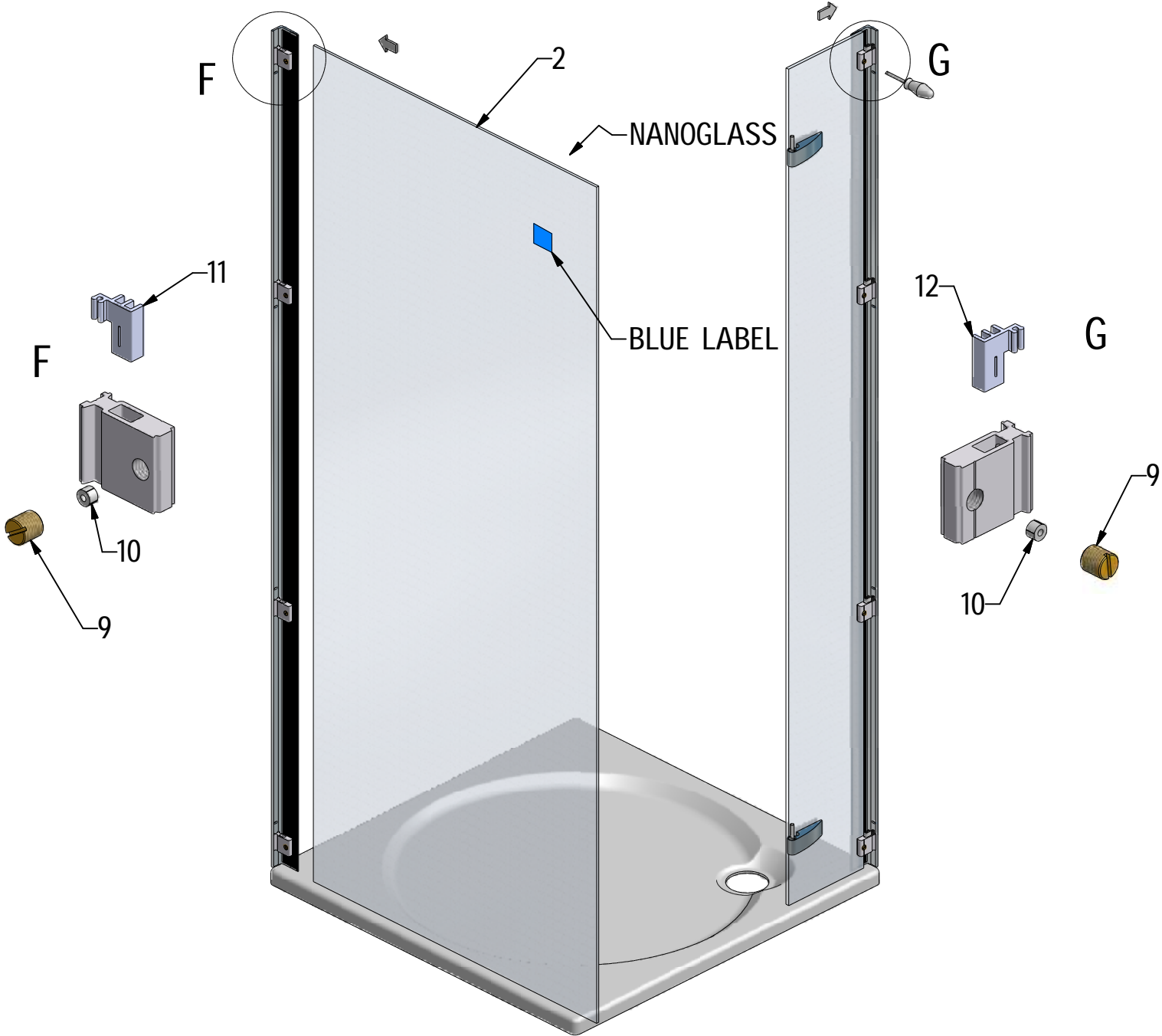




F



G



F

2

NANOGLASS

BLUE LABEL

G

12

G

F

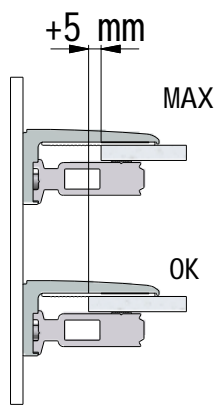
11

10

9

10

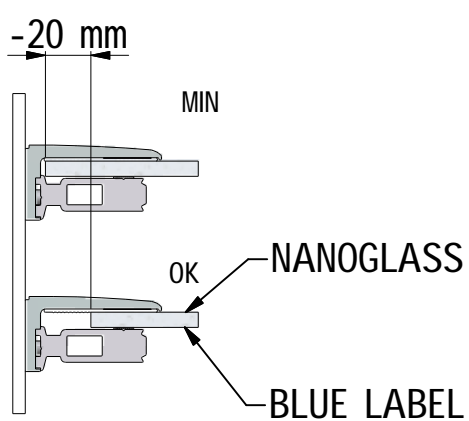
9



+5 mm

MAX

OK



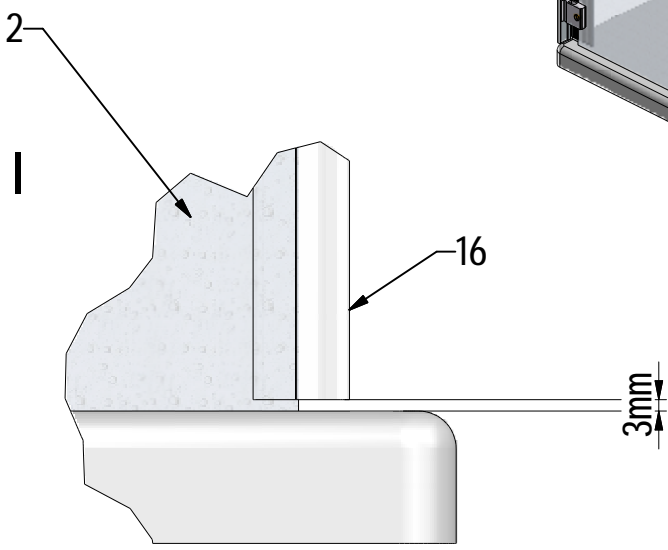
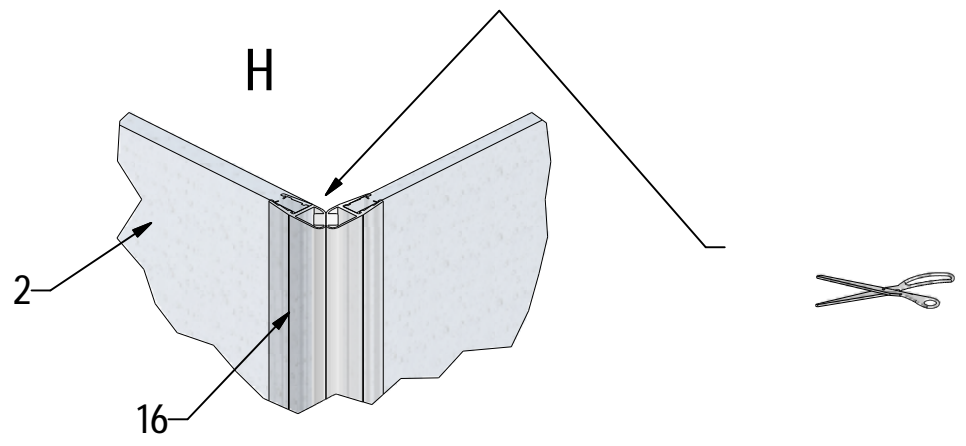
-20 mm

MIN

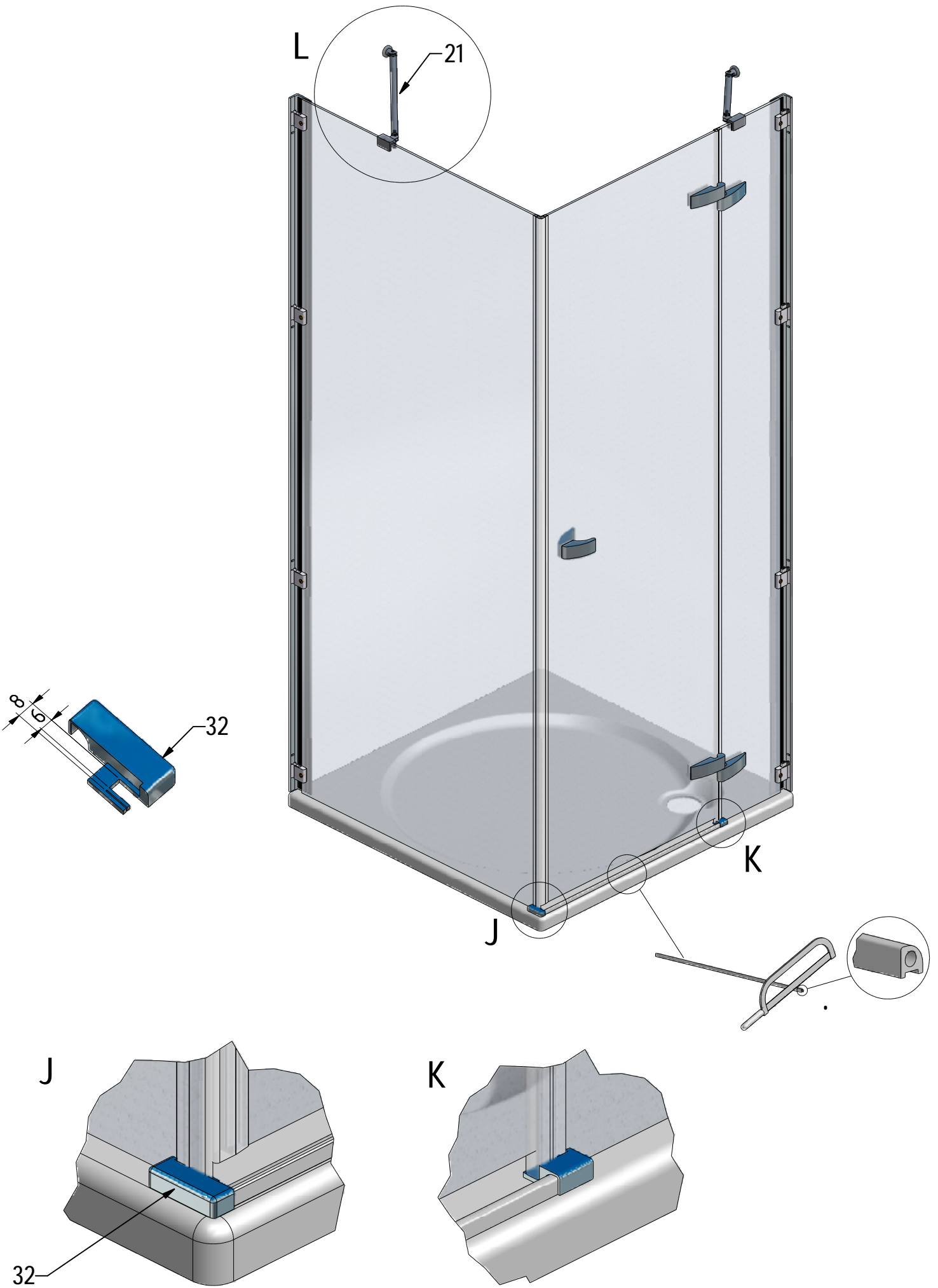
OK

NANOGLASS

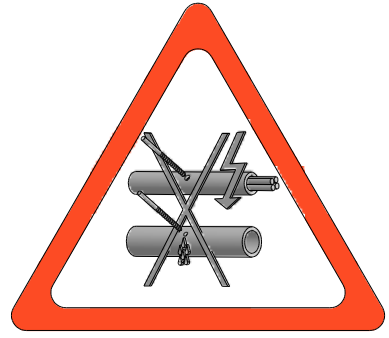
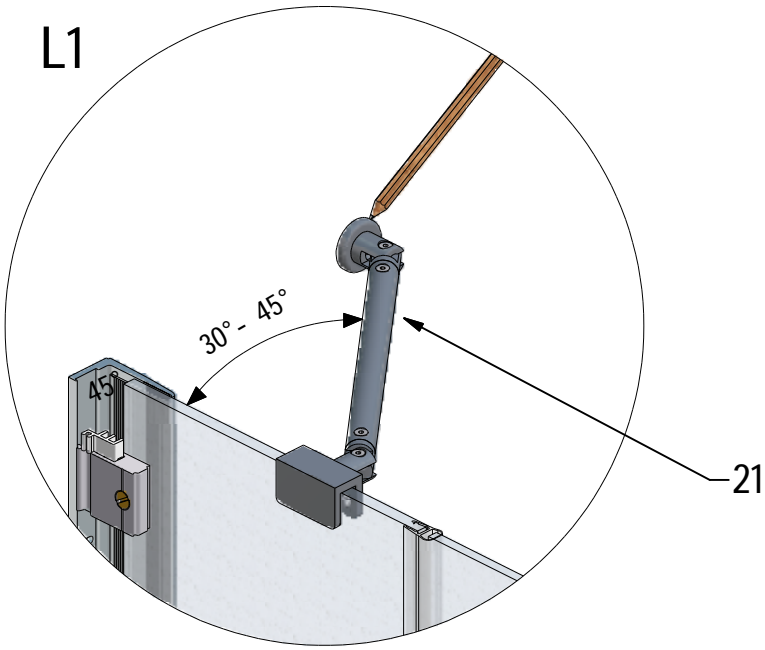
BLUE LABEL



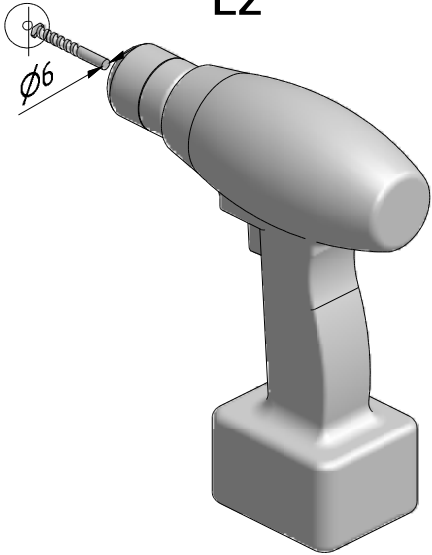
manual GDOL1 GDOP1



L1



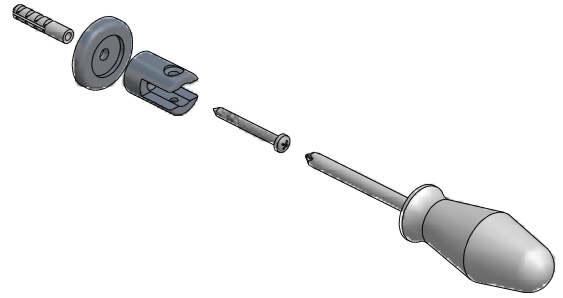
L2



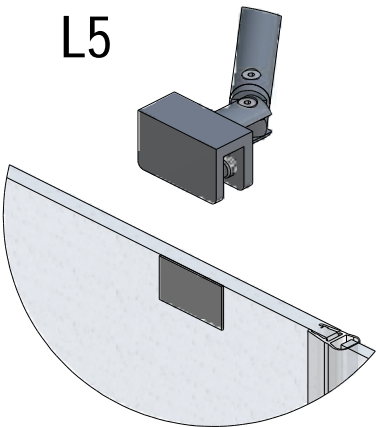
L3



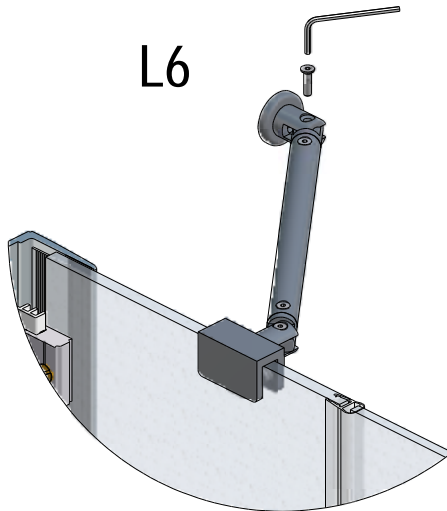
L4



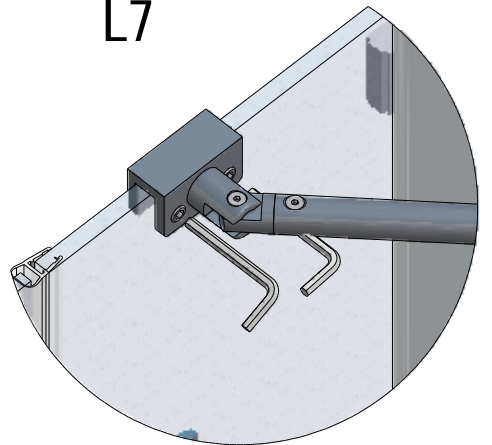
L5



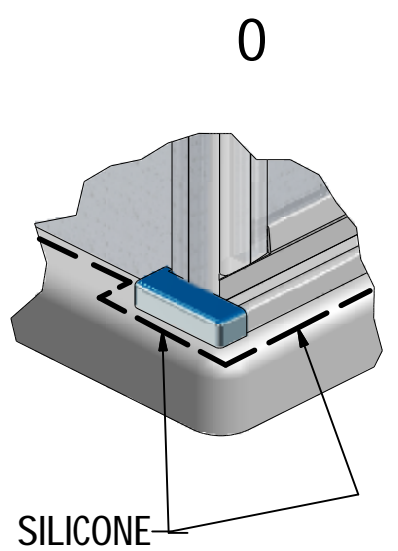
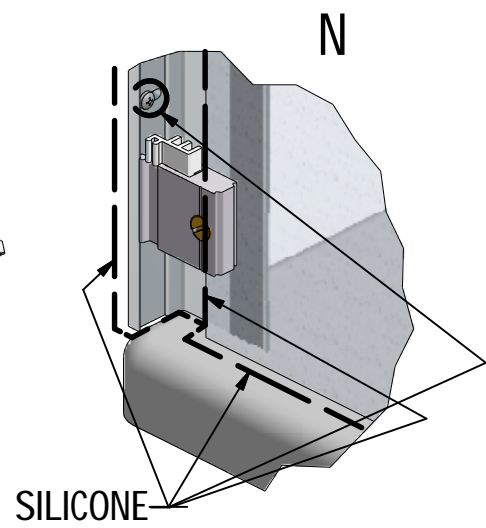
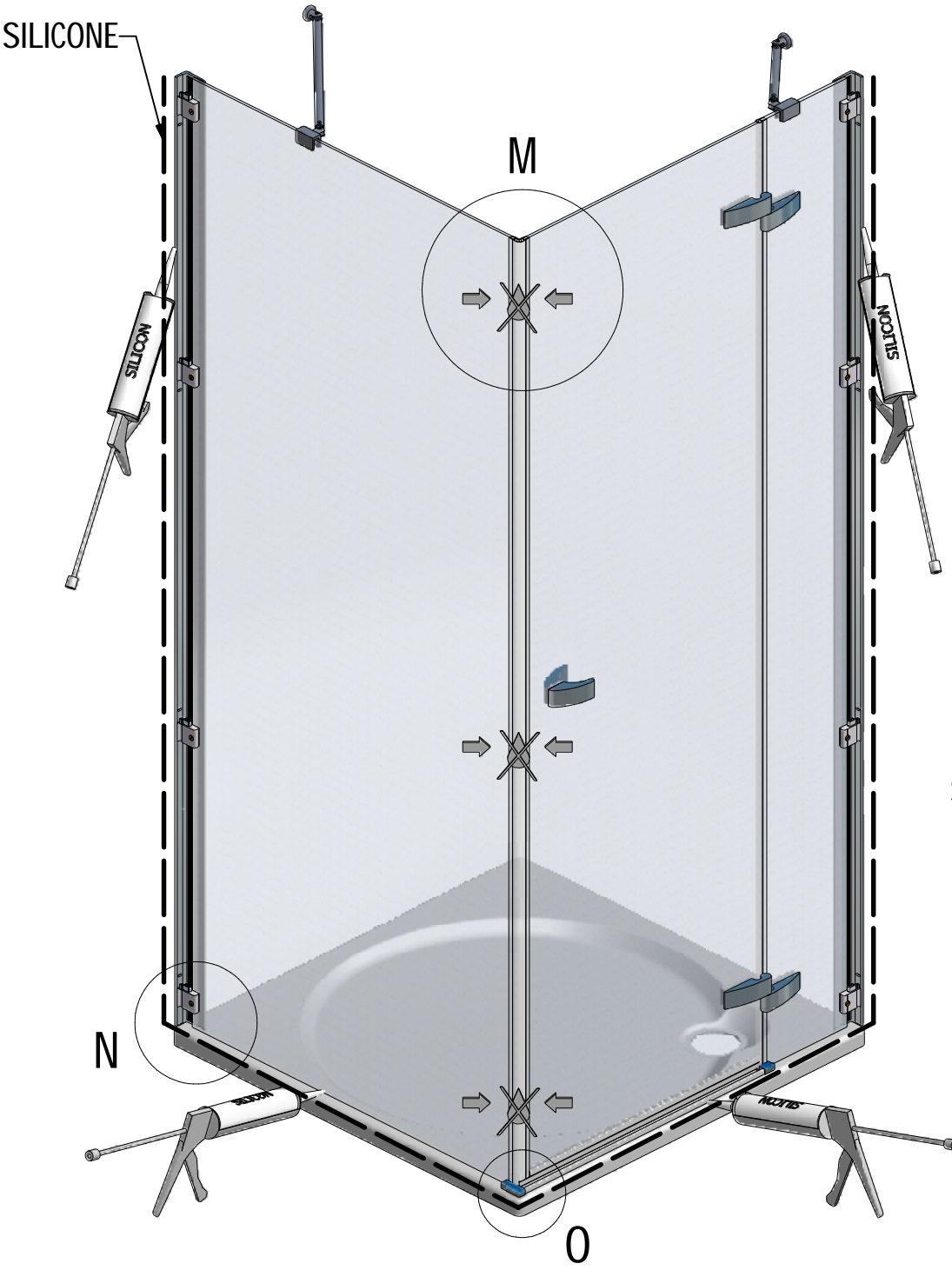
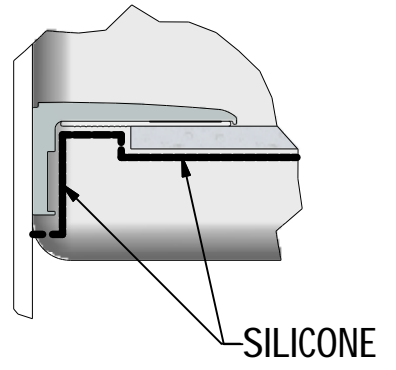
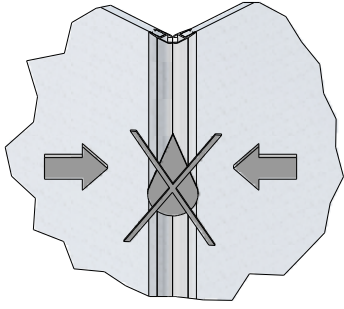
L6



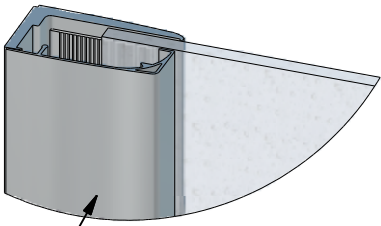
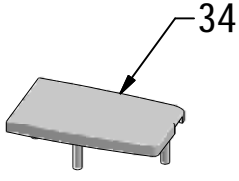
L7



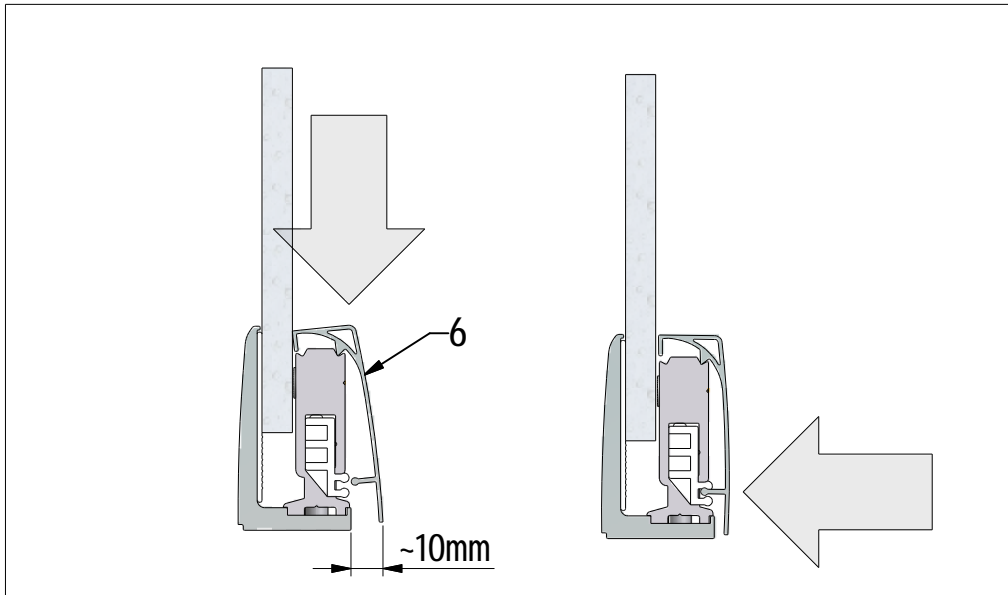
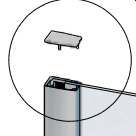
M



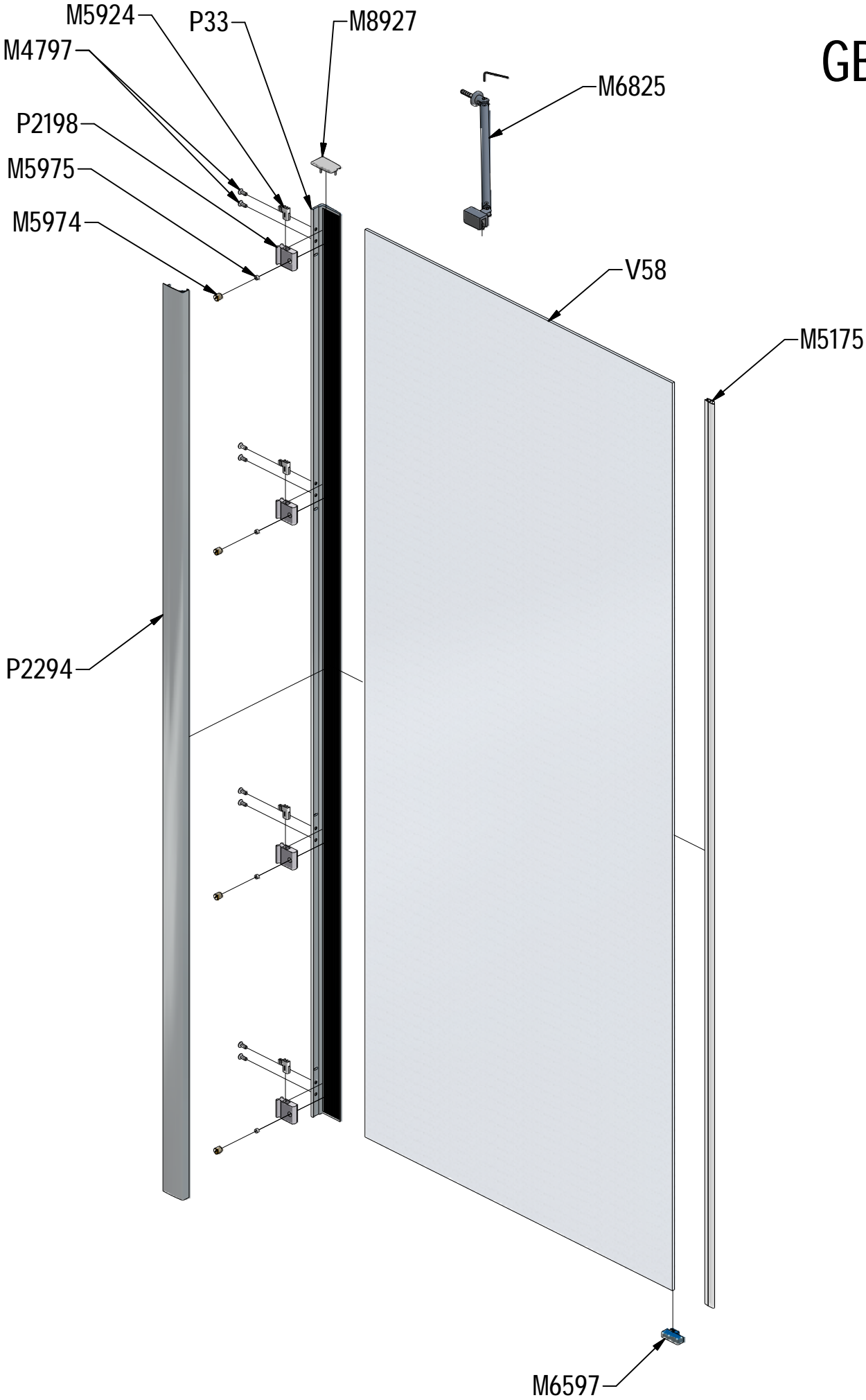
P



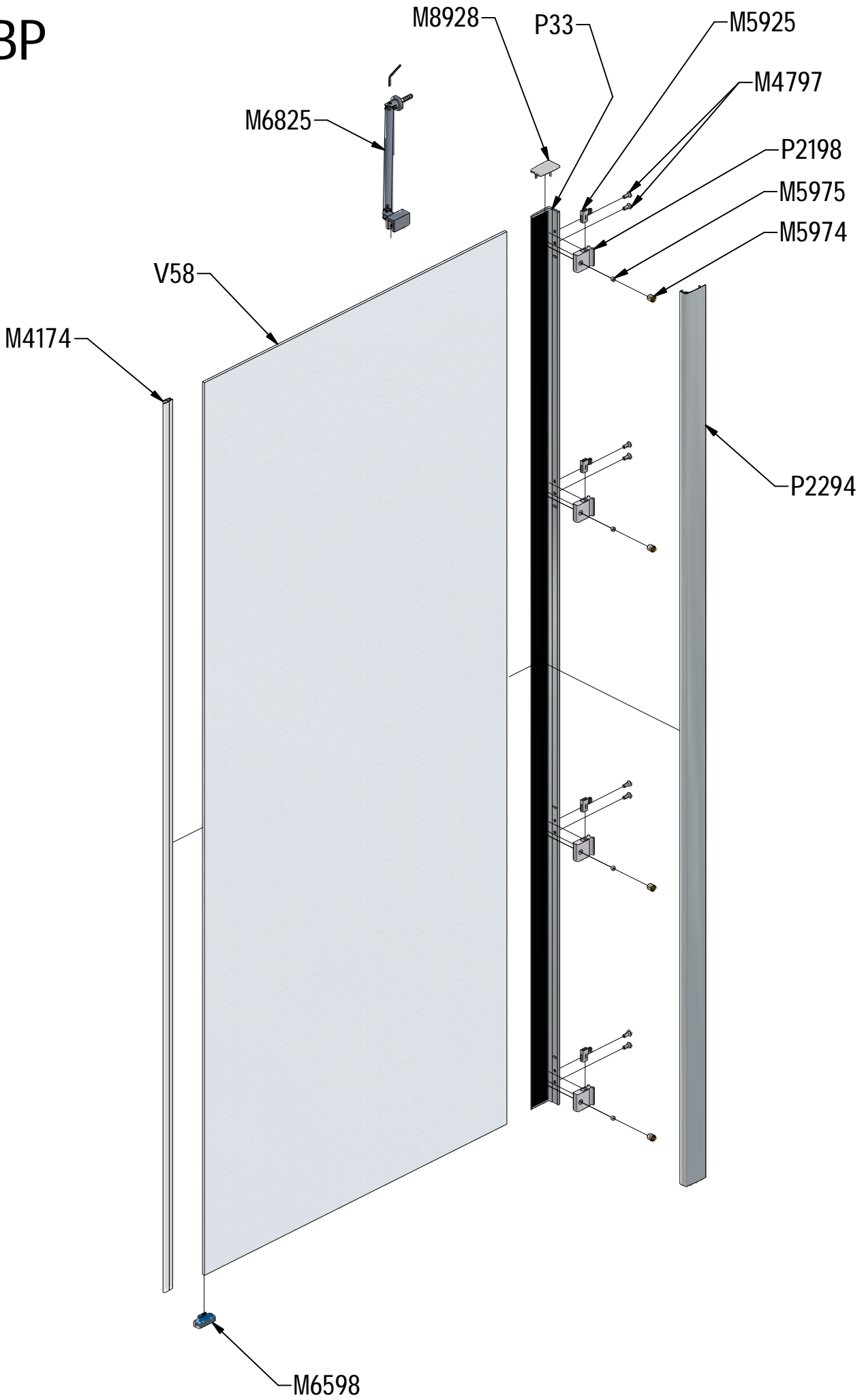
P



GBL



GBP



P33			ND01-0973-00
-----	--	--	--------------

V58	800	clear glass	ND03-0284-00-02
	900		ND03-0285-00-02
	1000		ND03-0286-00-02



**ROLTECHNIK a.s. / Třebov 160 / 569 33,
CZECH REPUBLIC**

10

EN 14428:2008+A1