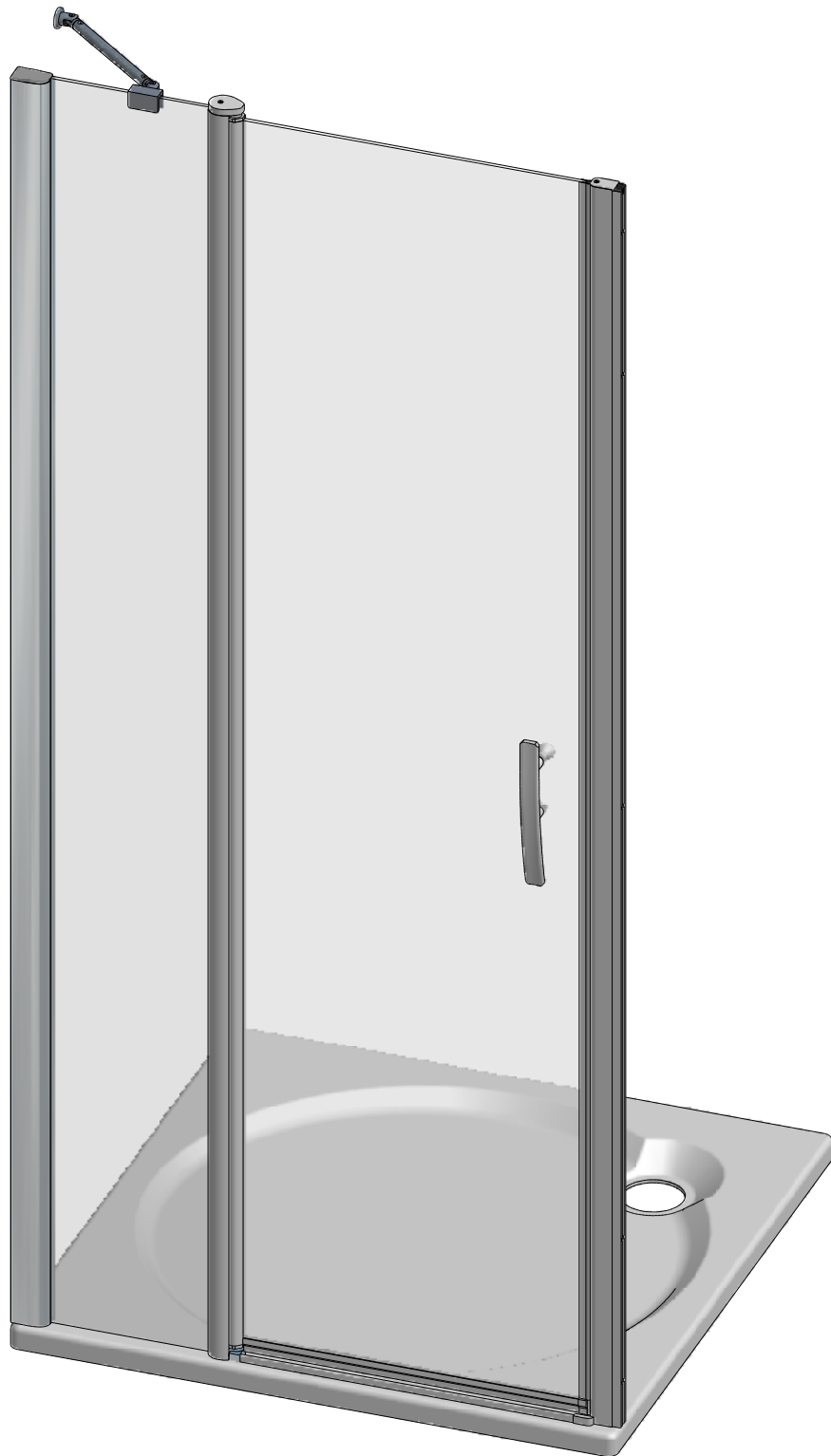
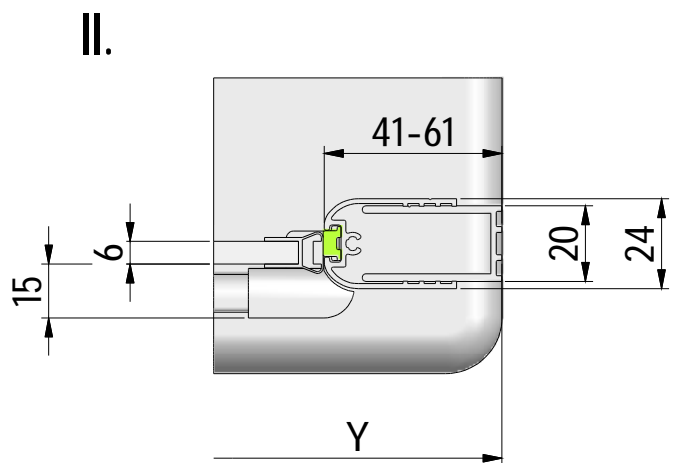
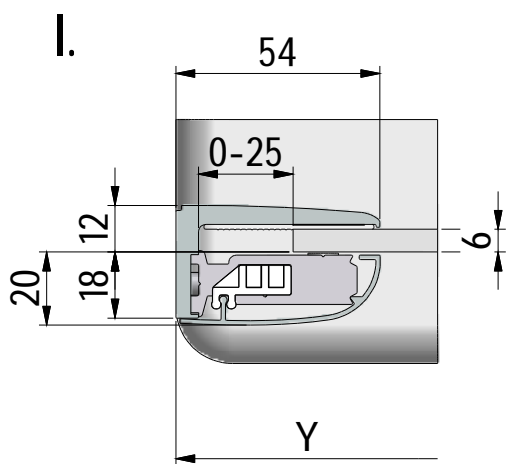
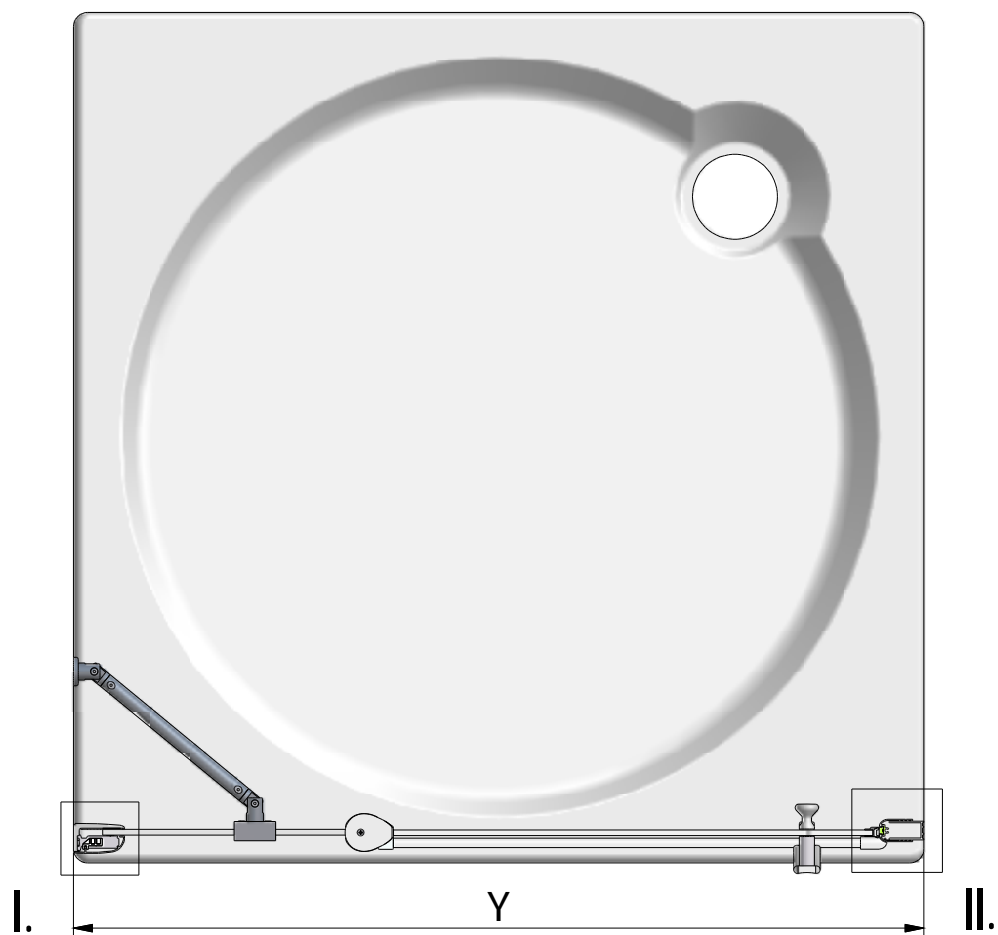
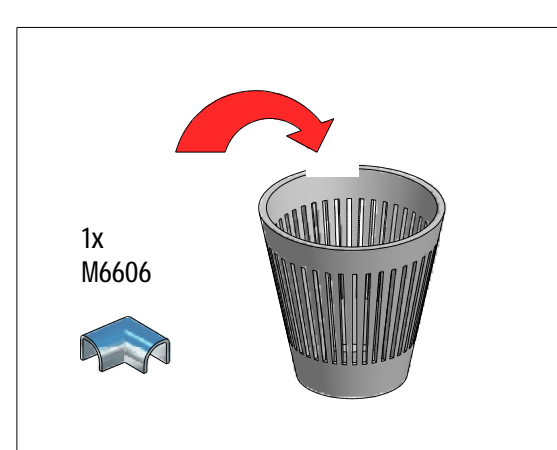
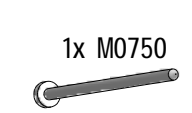
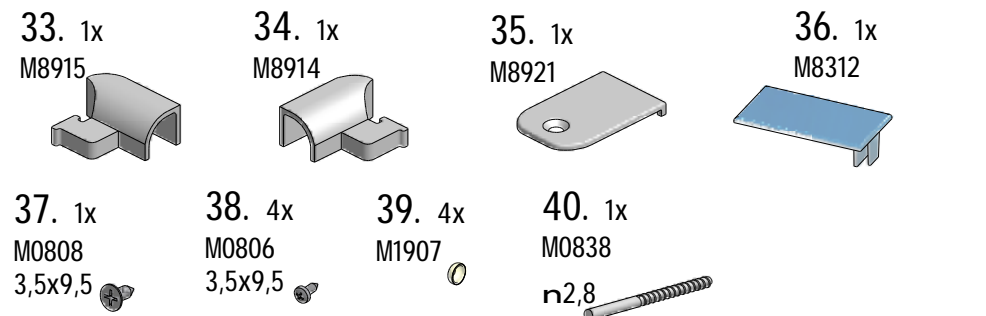
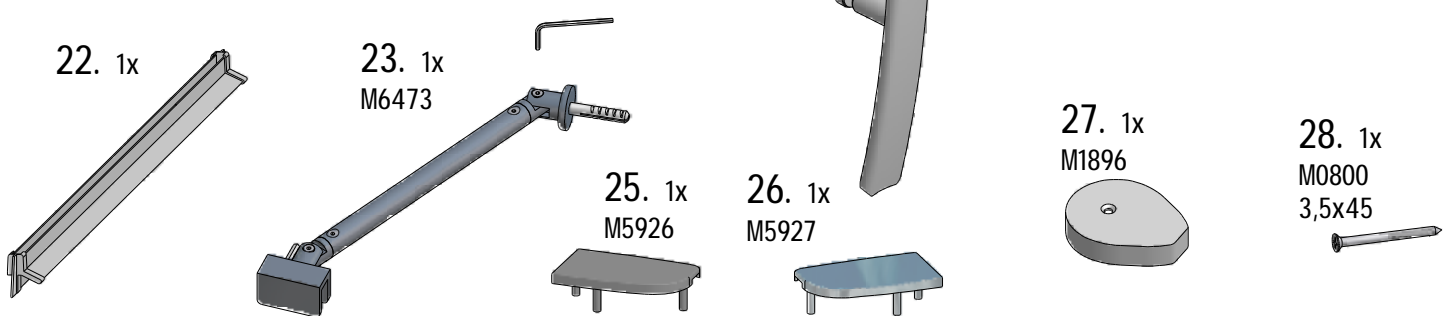
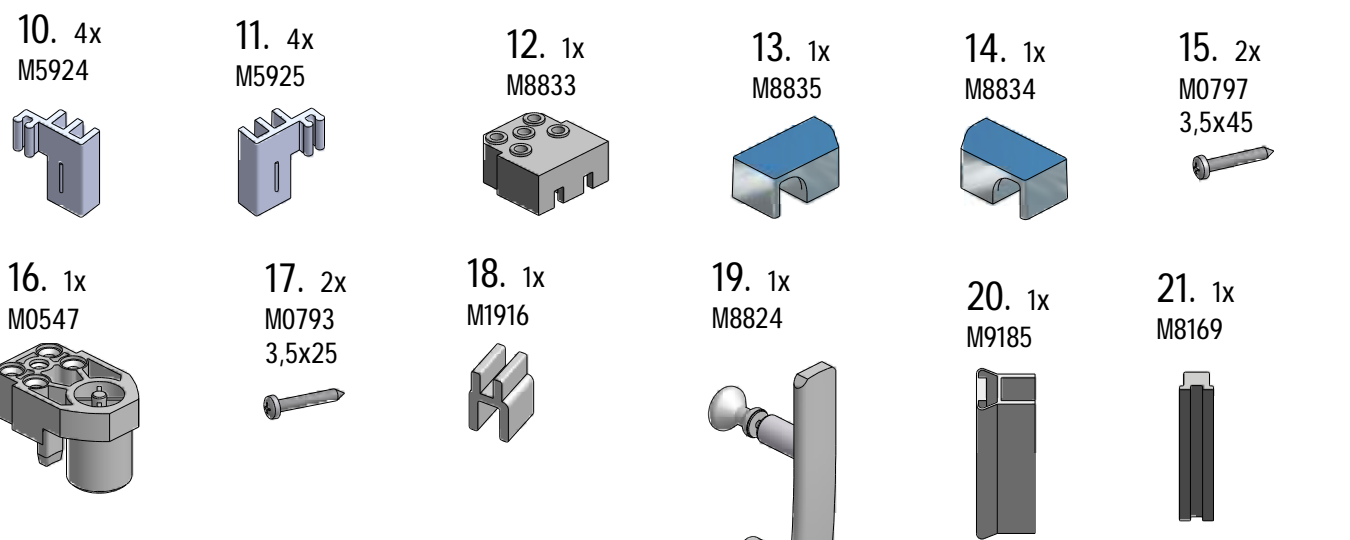
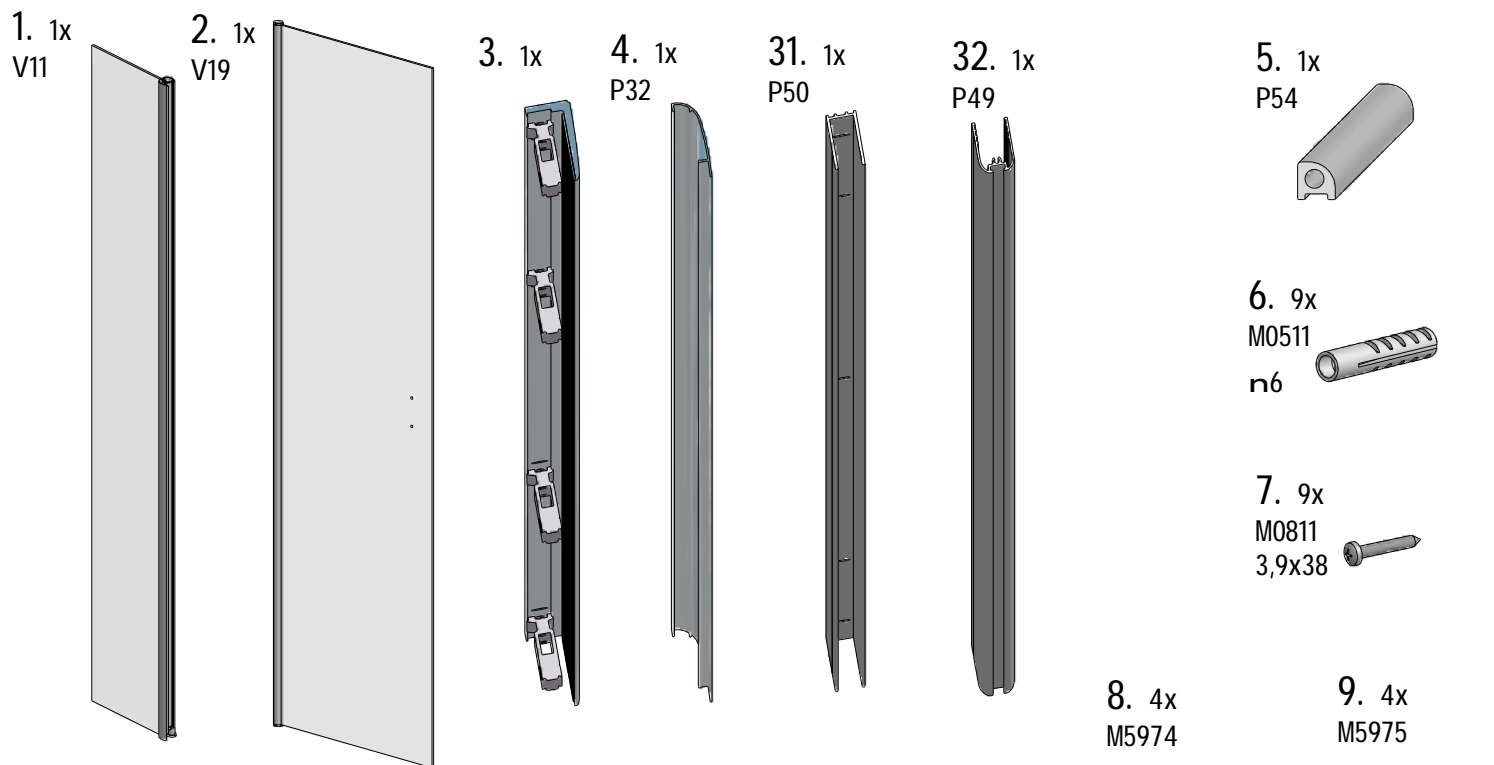


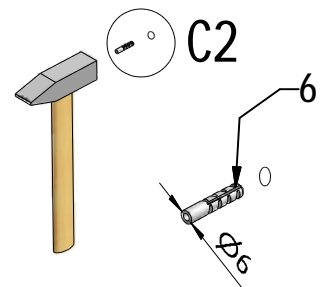
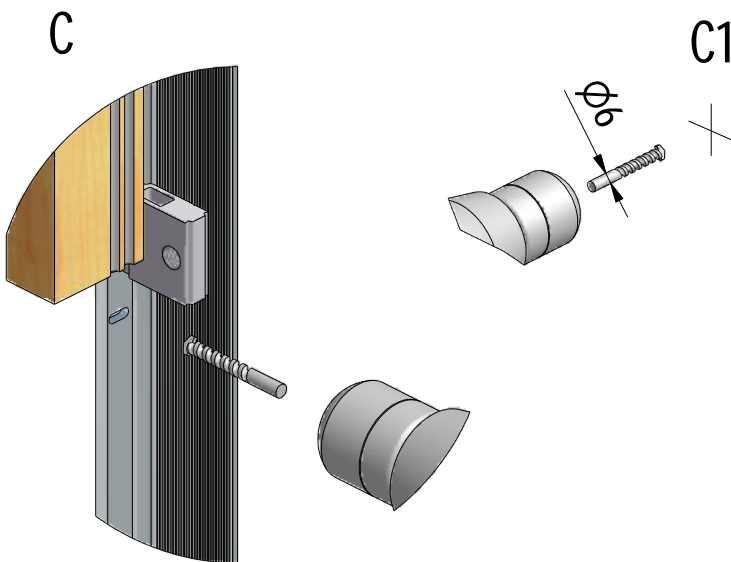
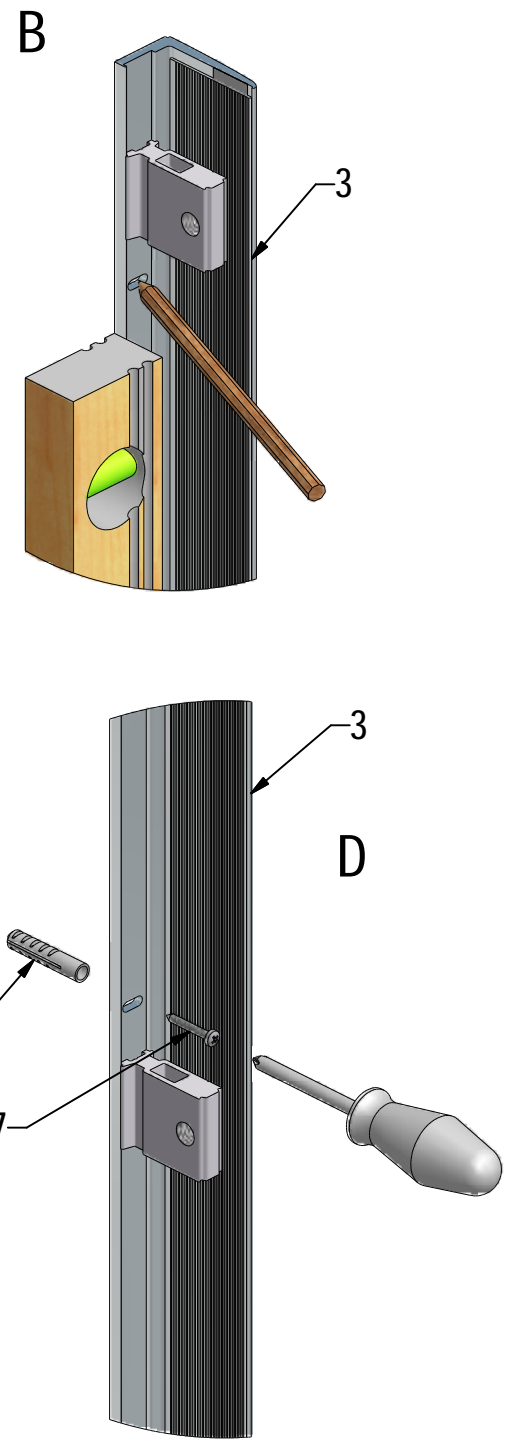
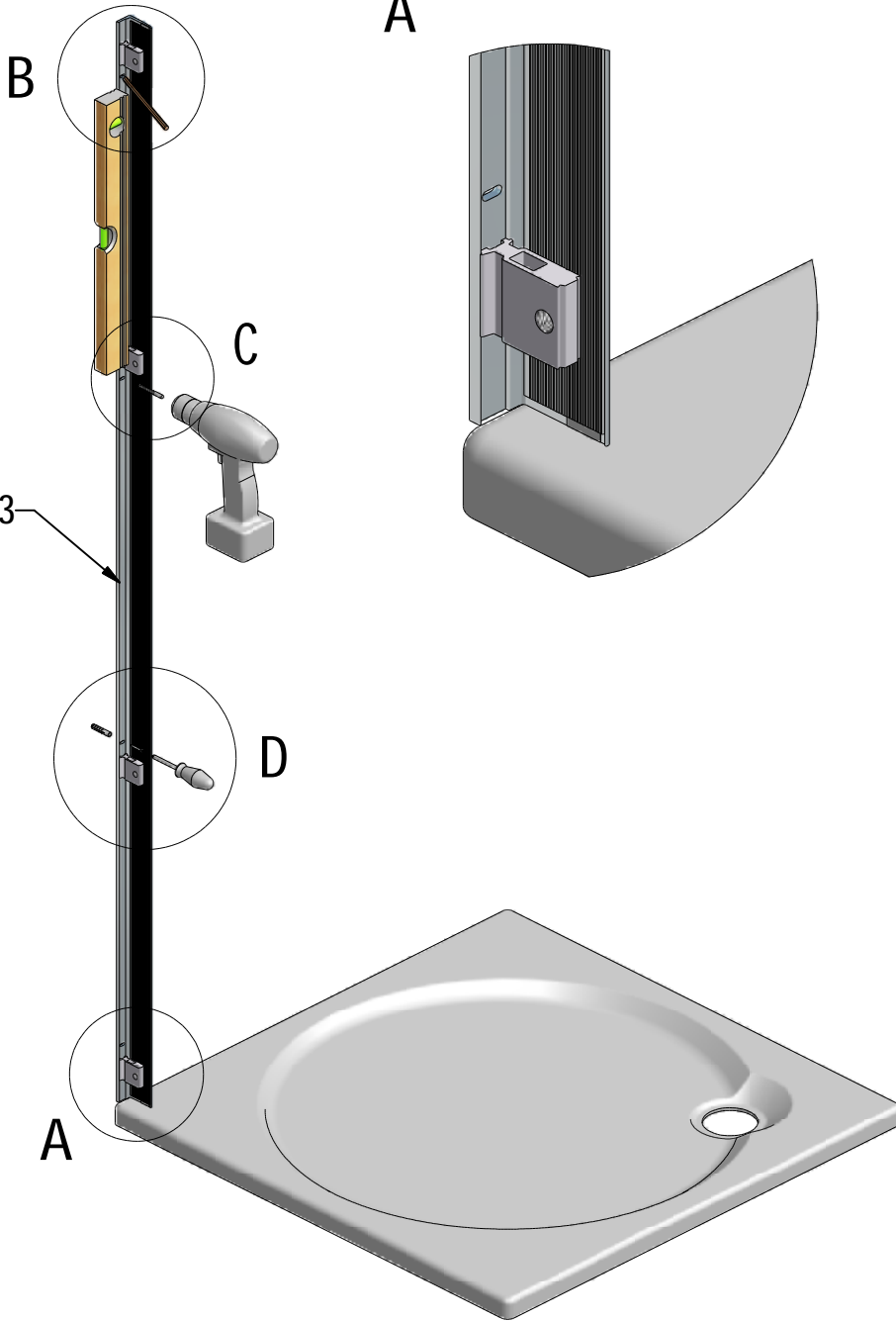
# TDN1

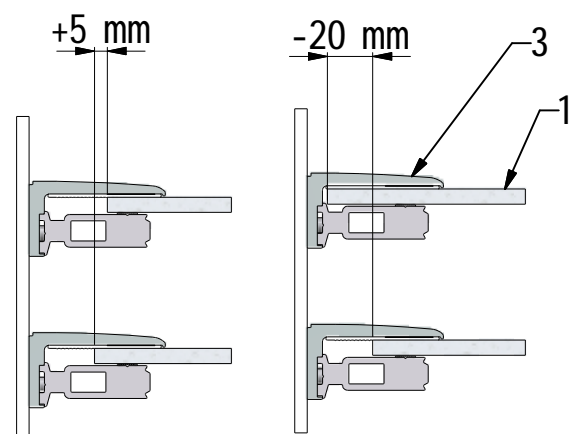
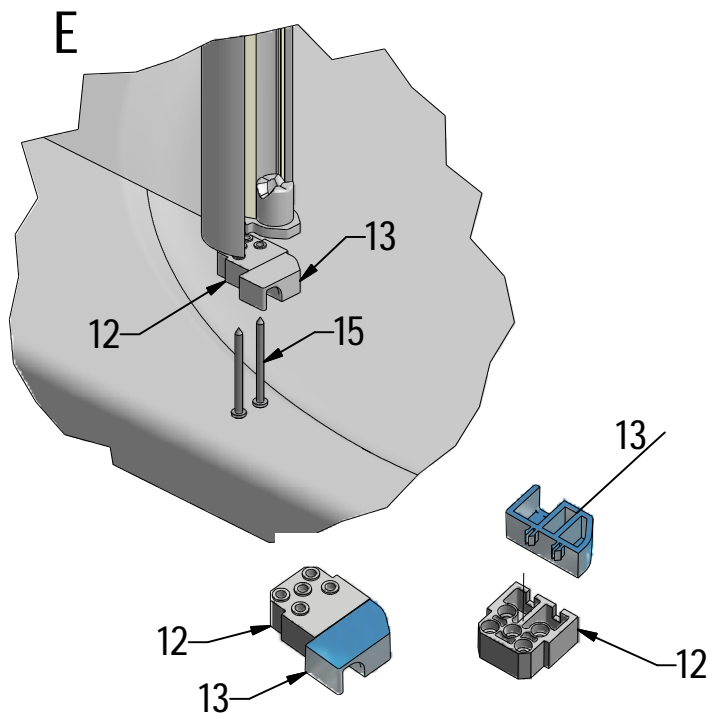
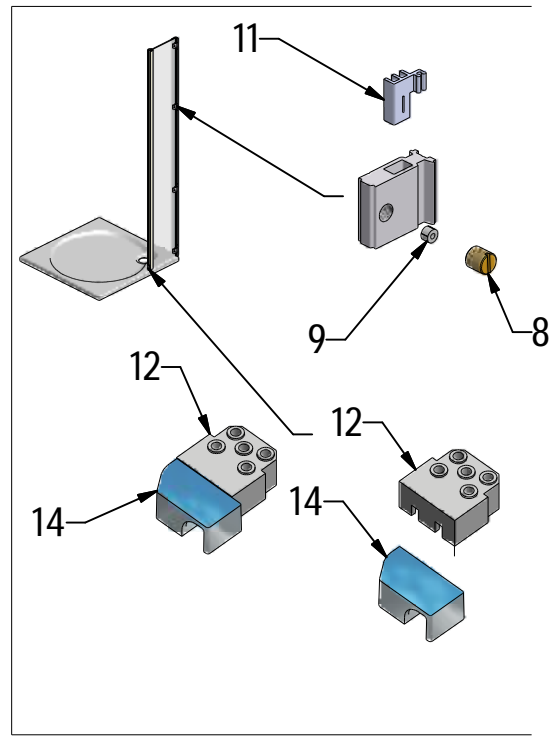
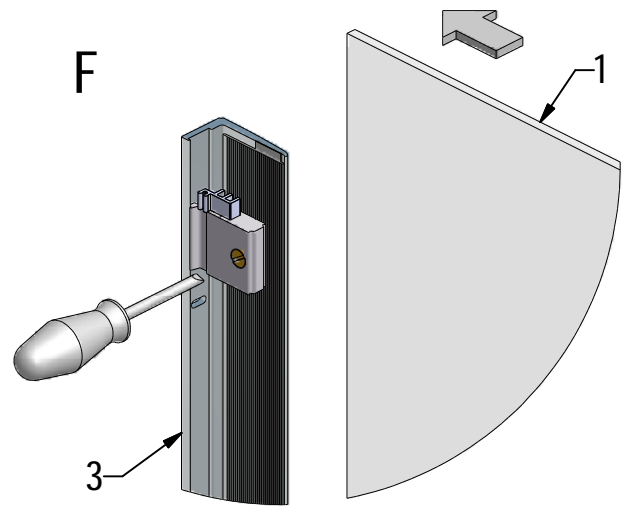
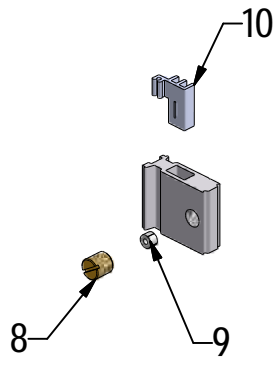
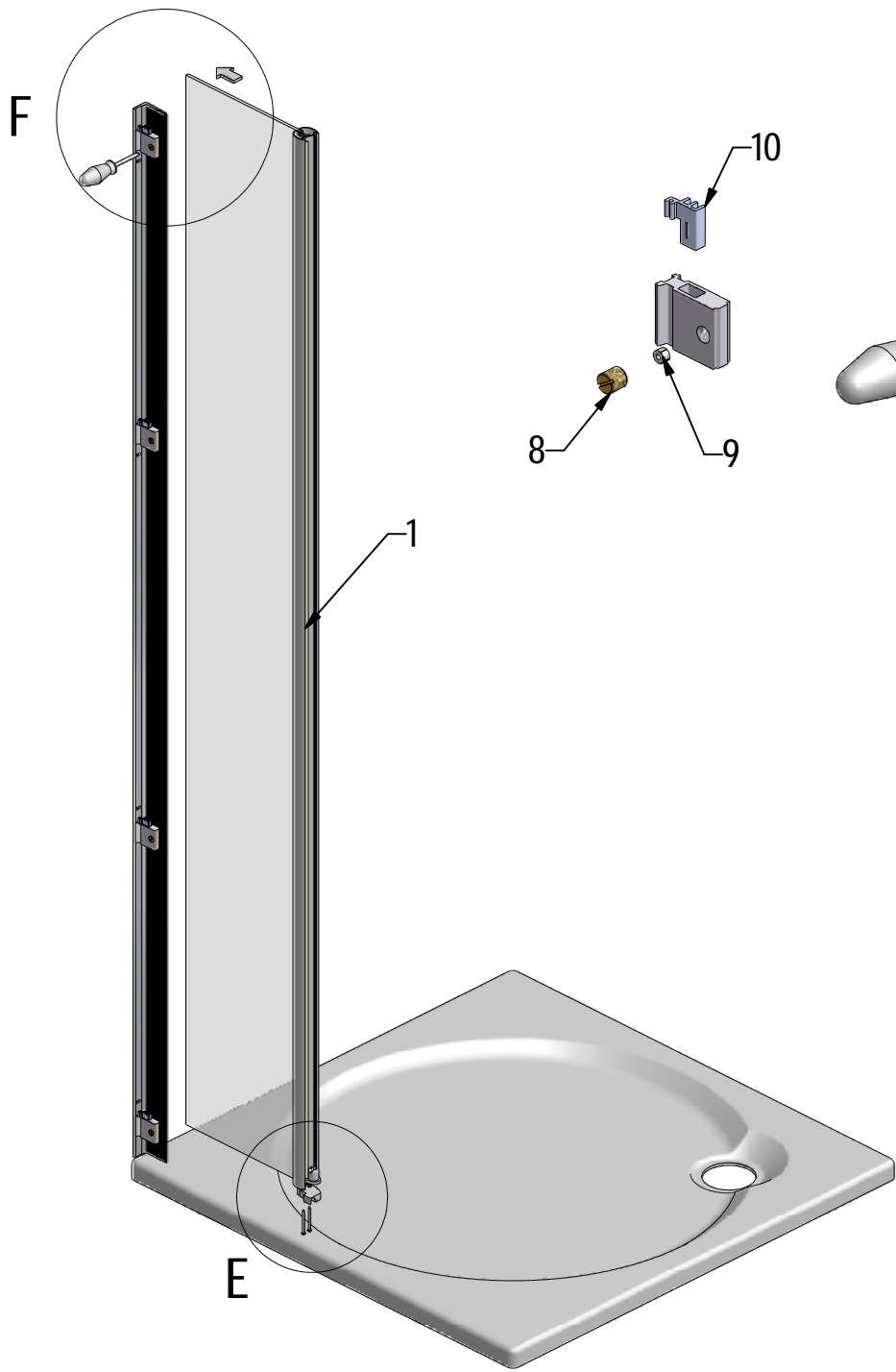


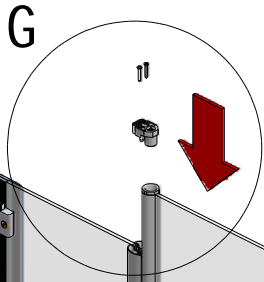
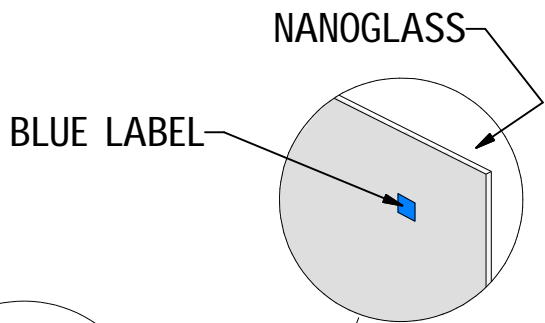


TDN1	Y (mm)	
	MIN	MAX
800	770	810
900	870	910
1000	970	1010

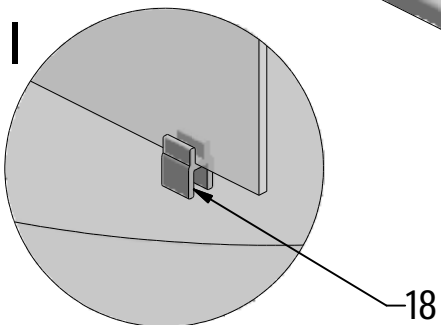
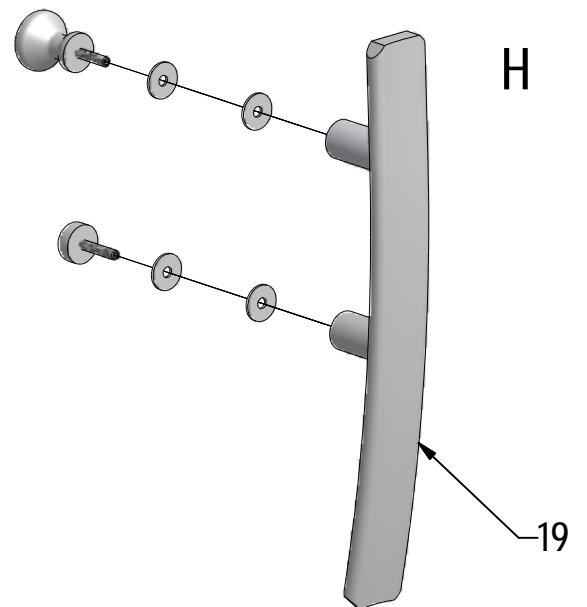
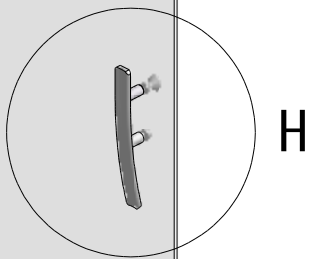
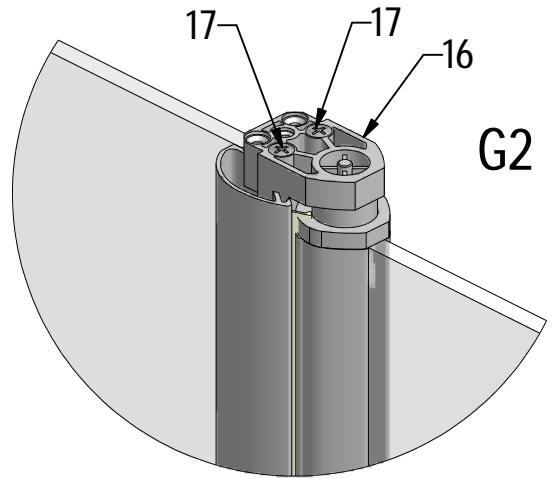
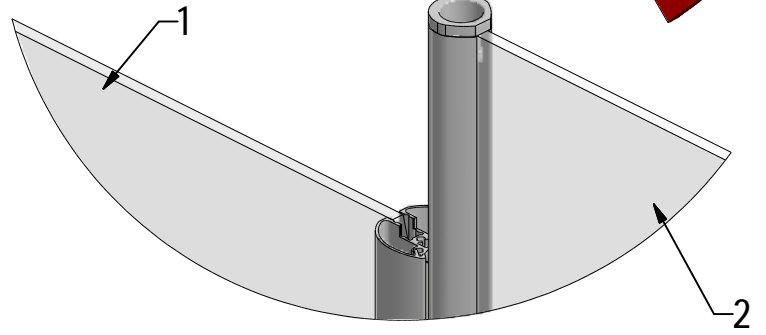
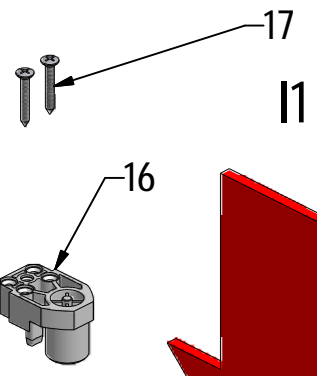


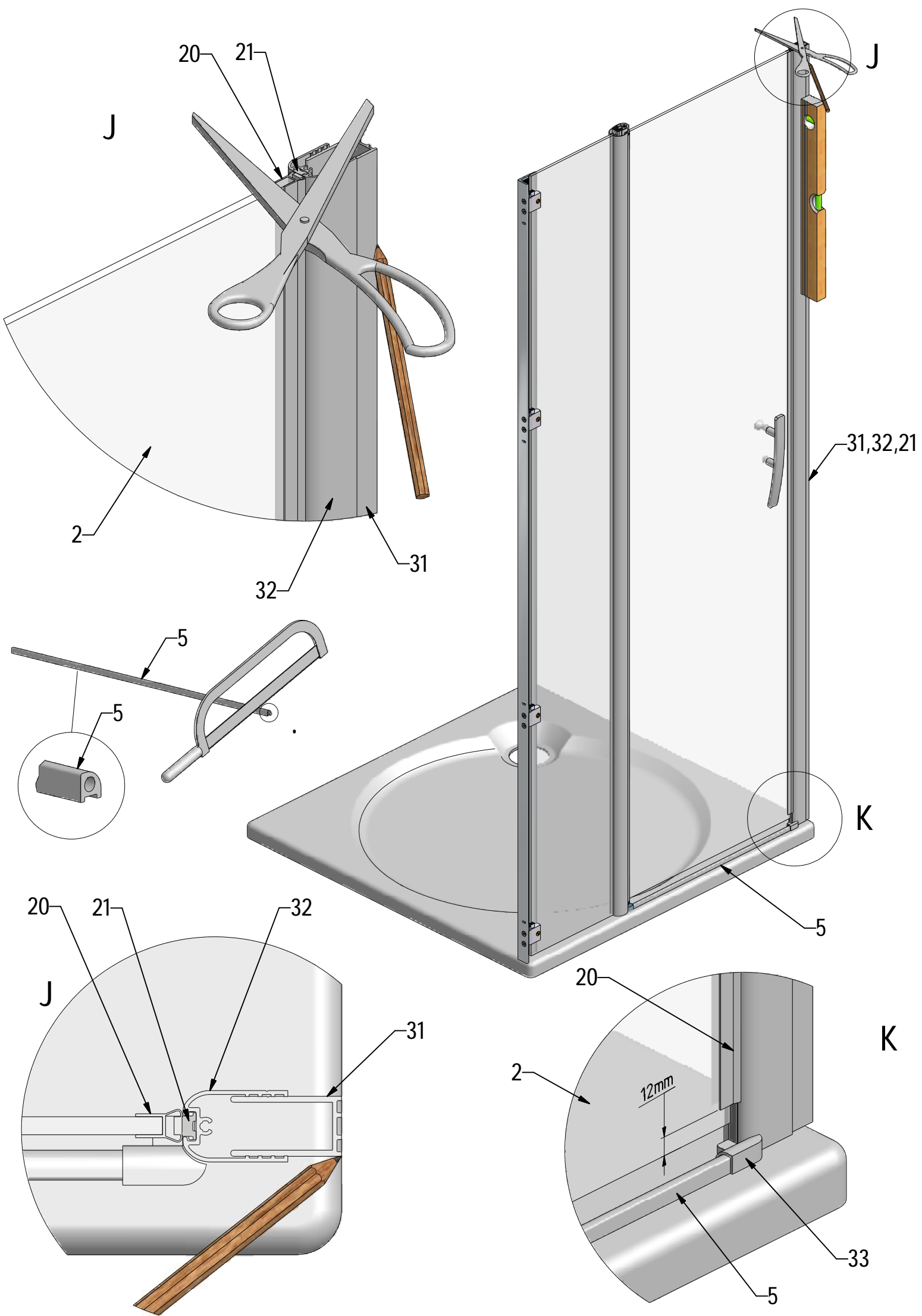


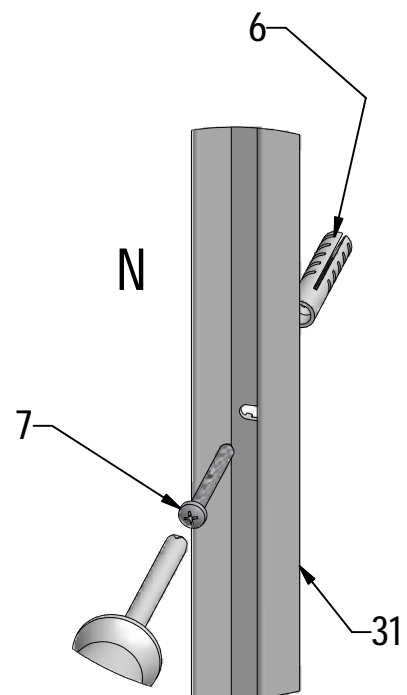
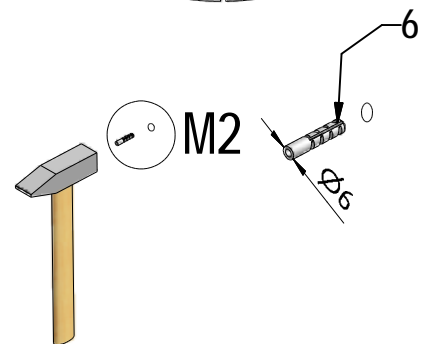
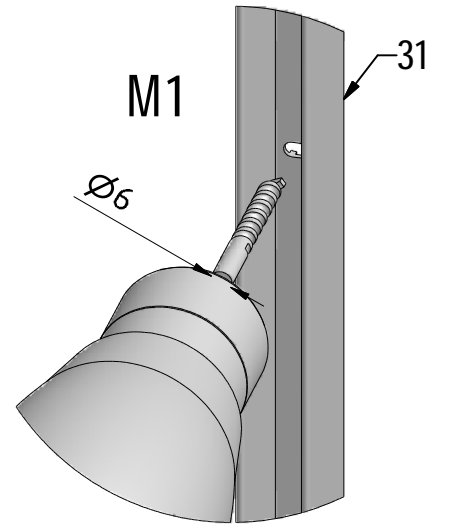
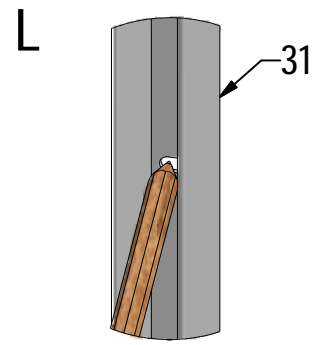
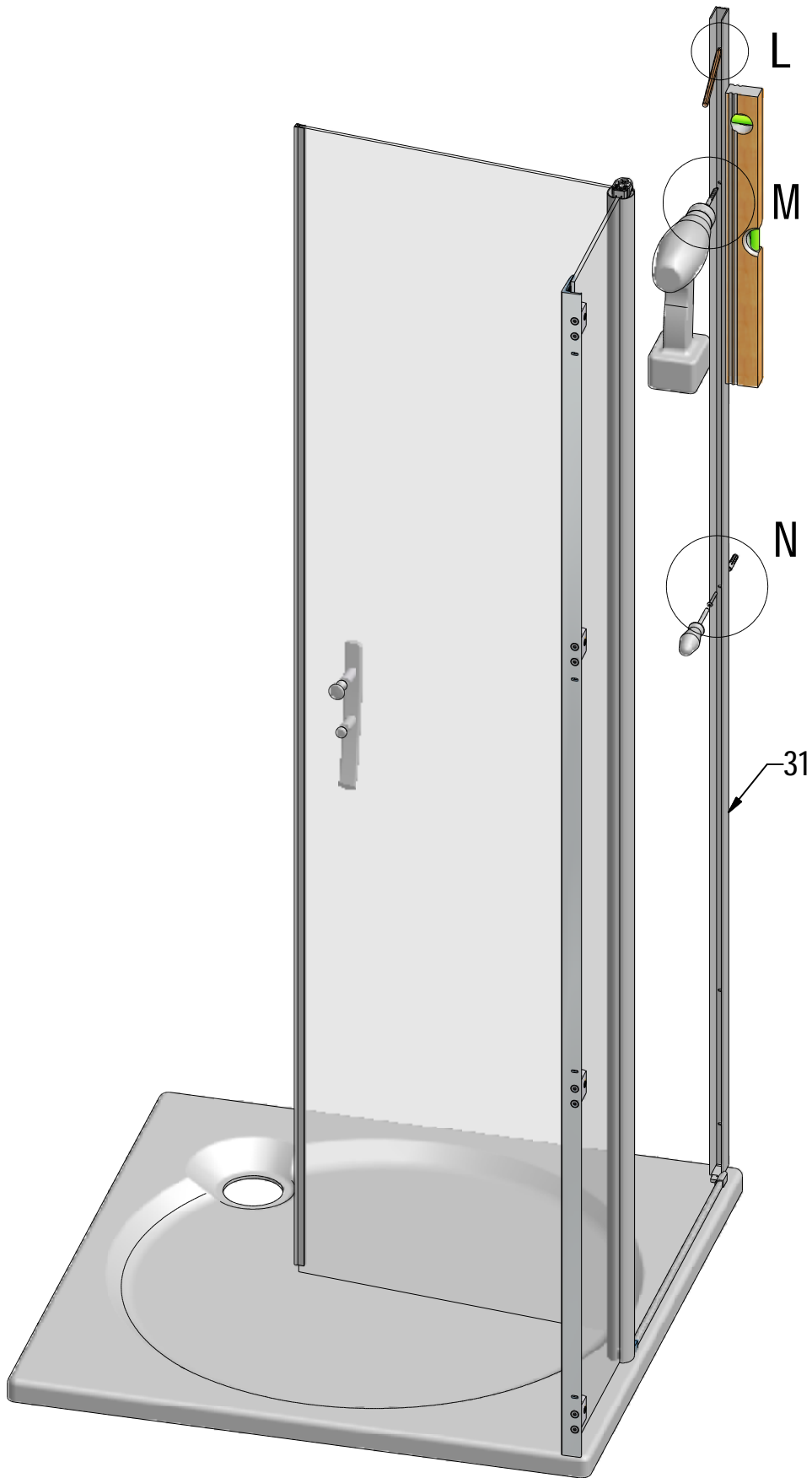




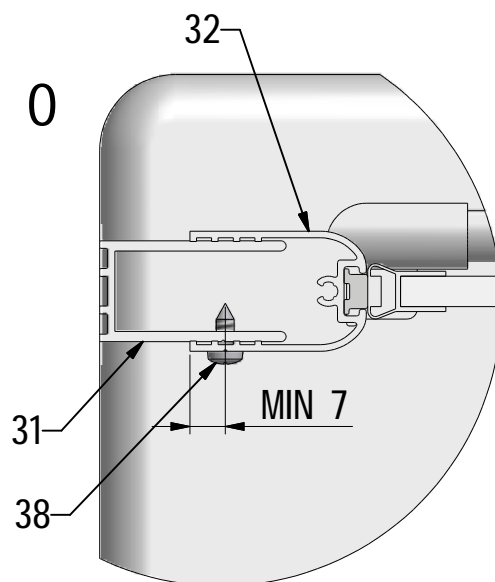
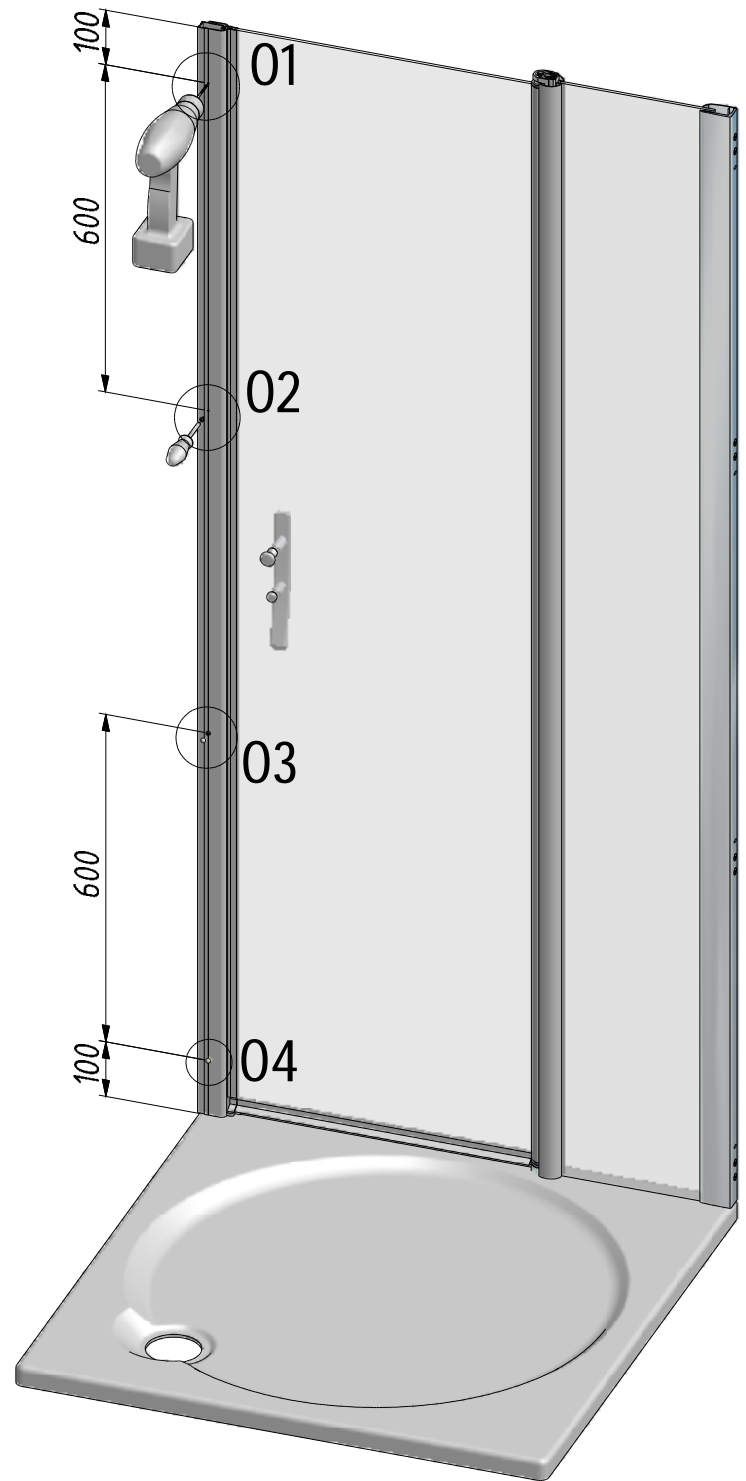
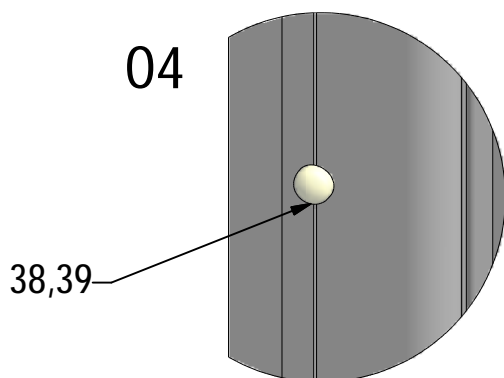
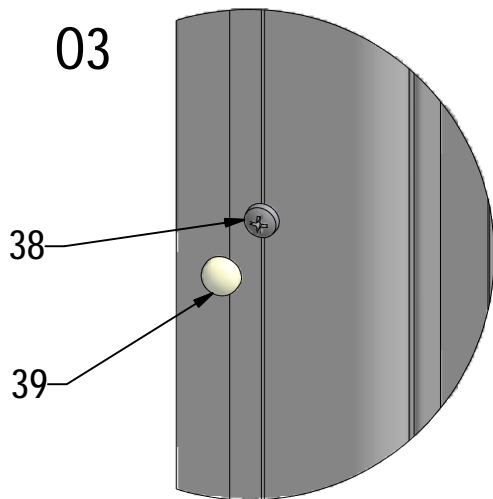
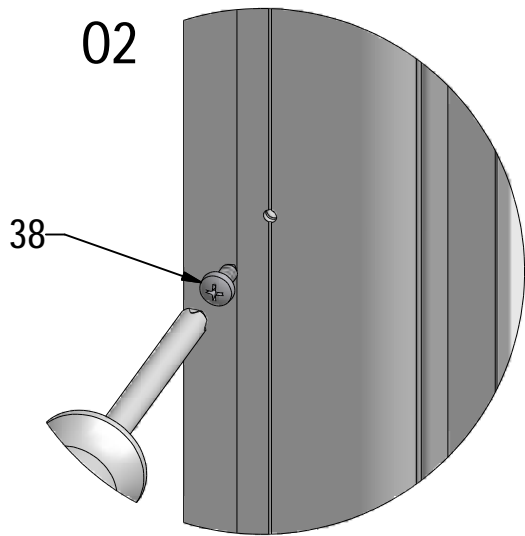
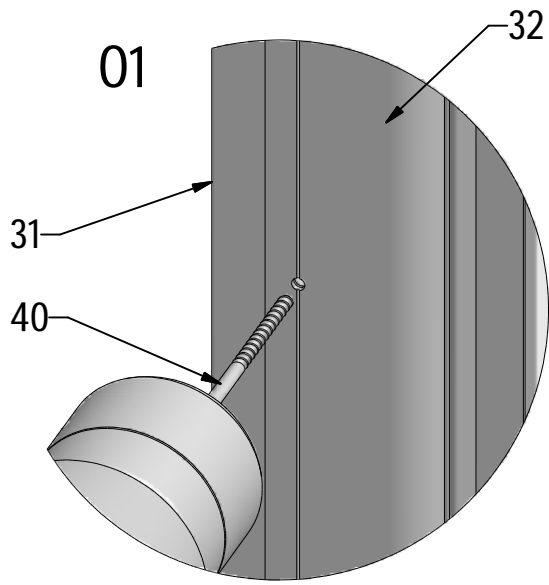
G1

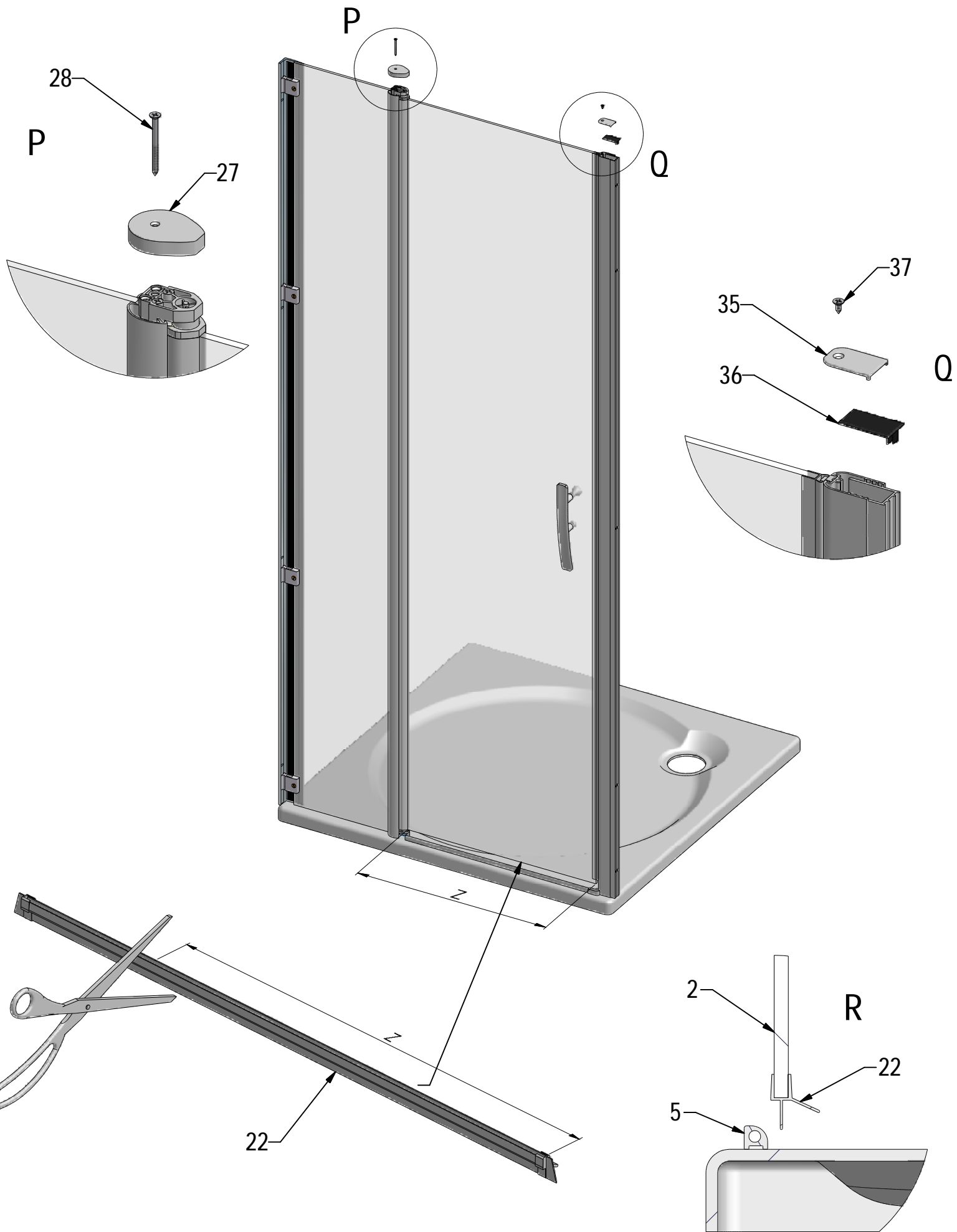




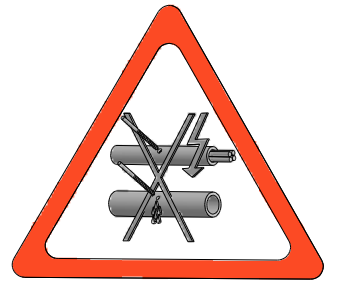
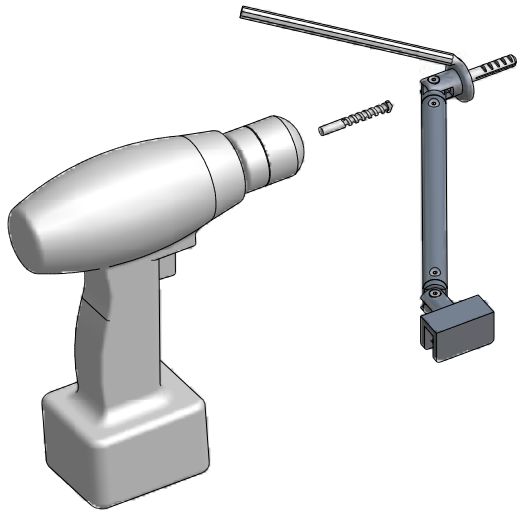








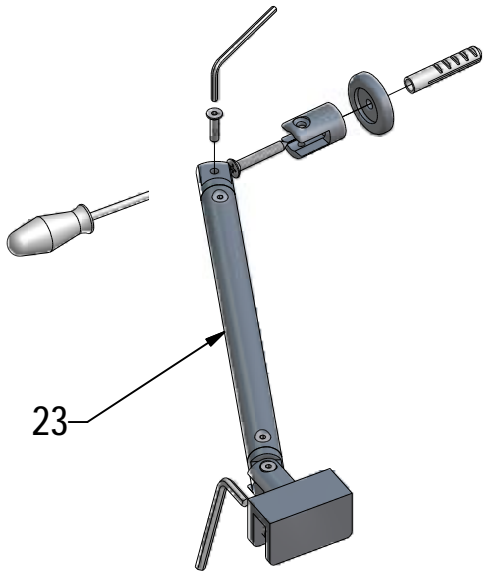
S1



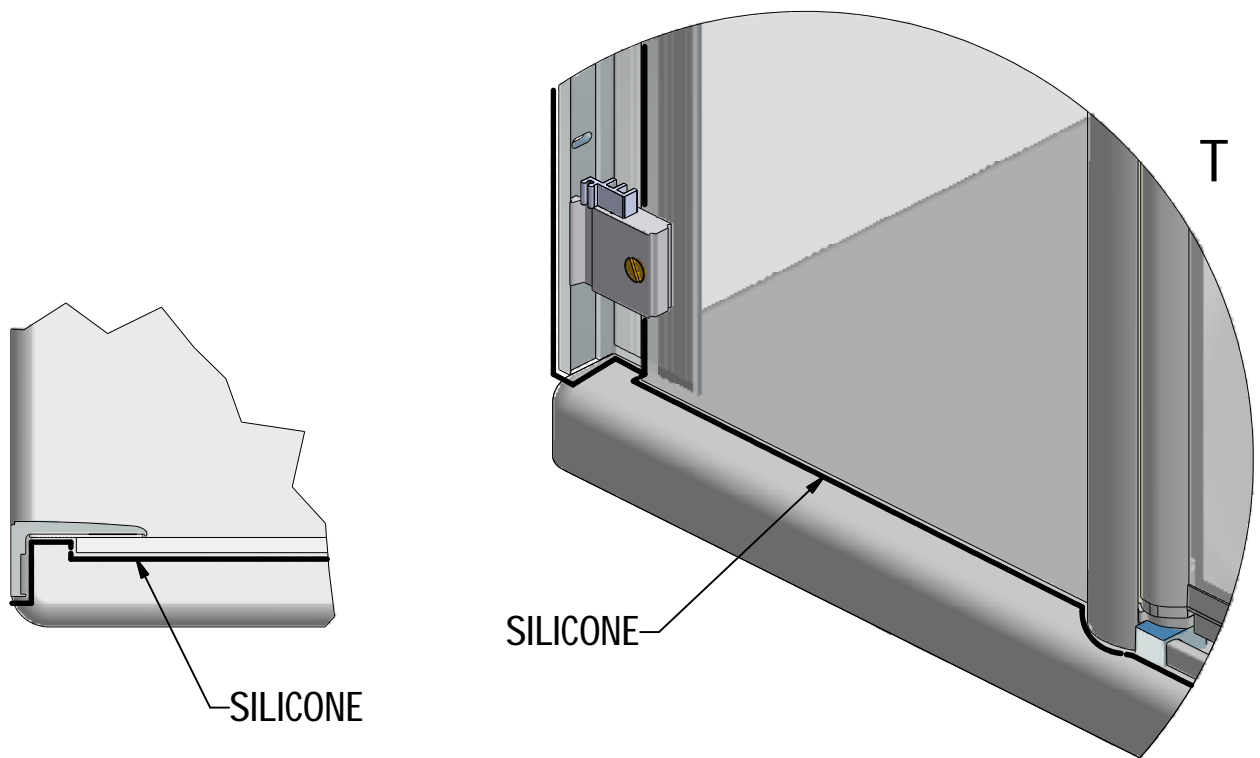
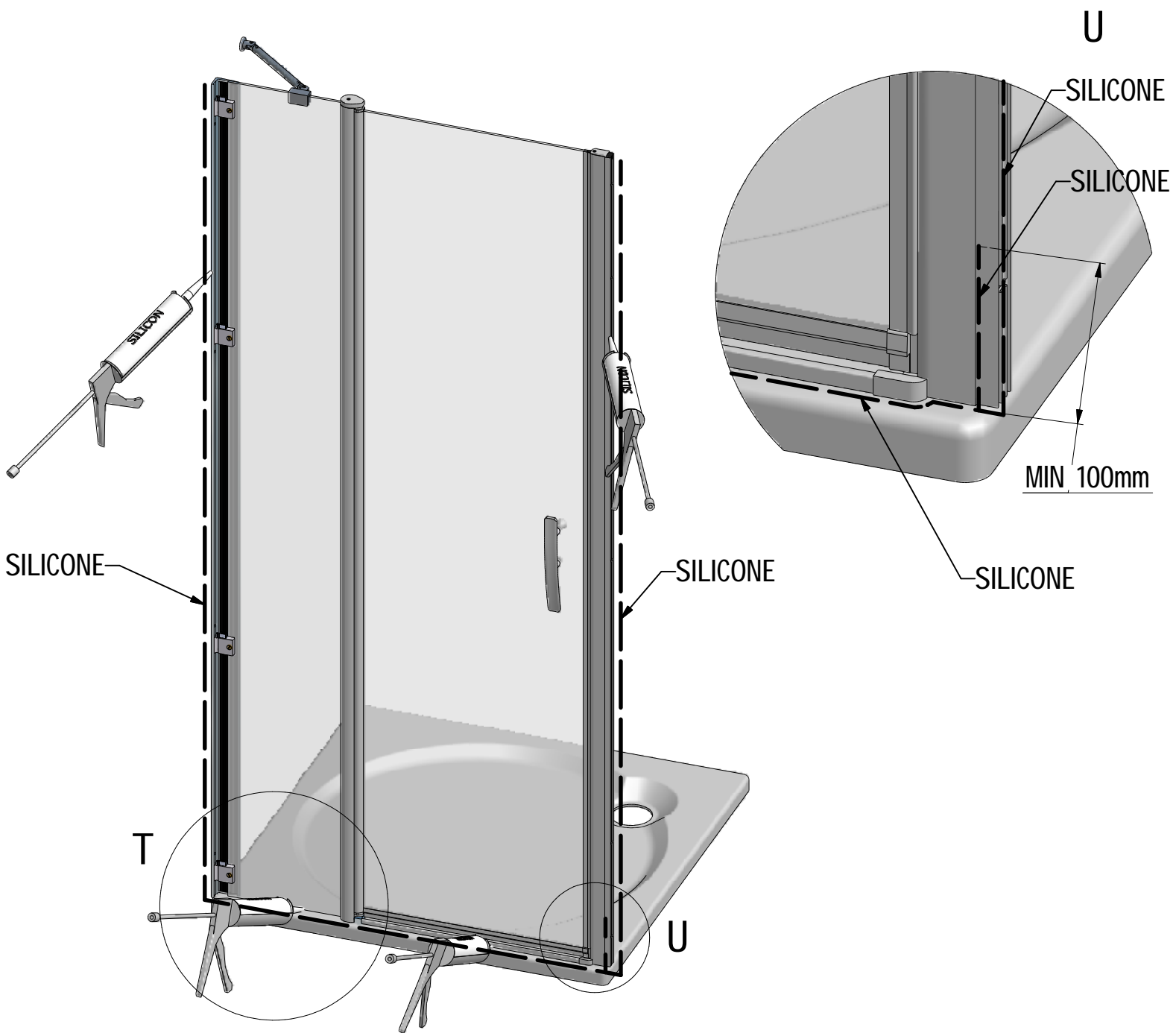
S

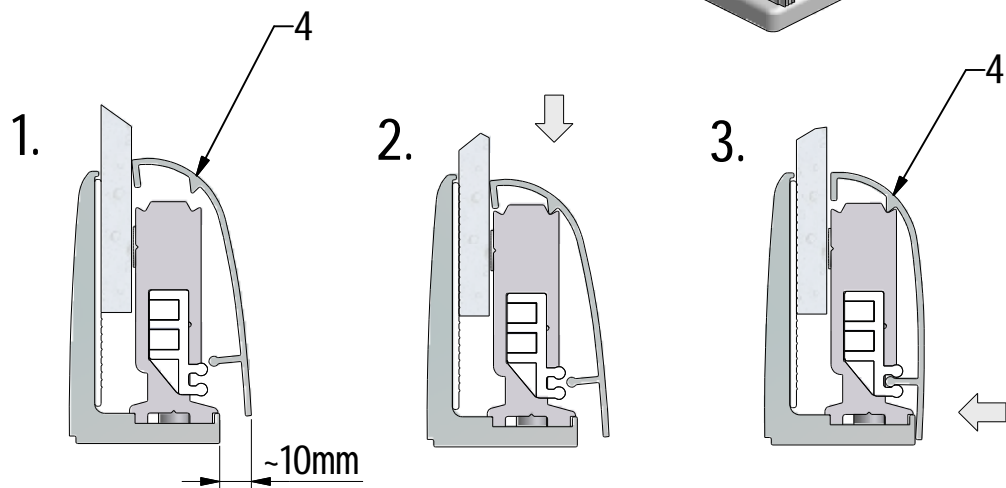
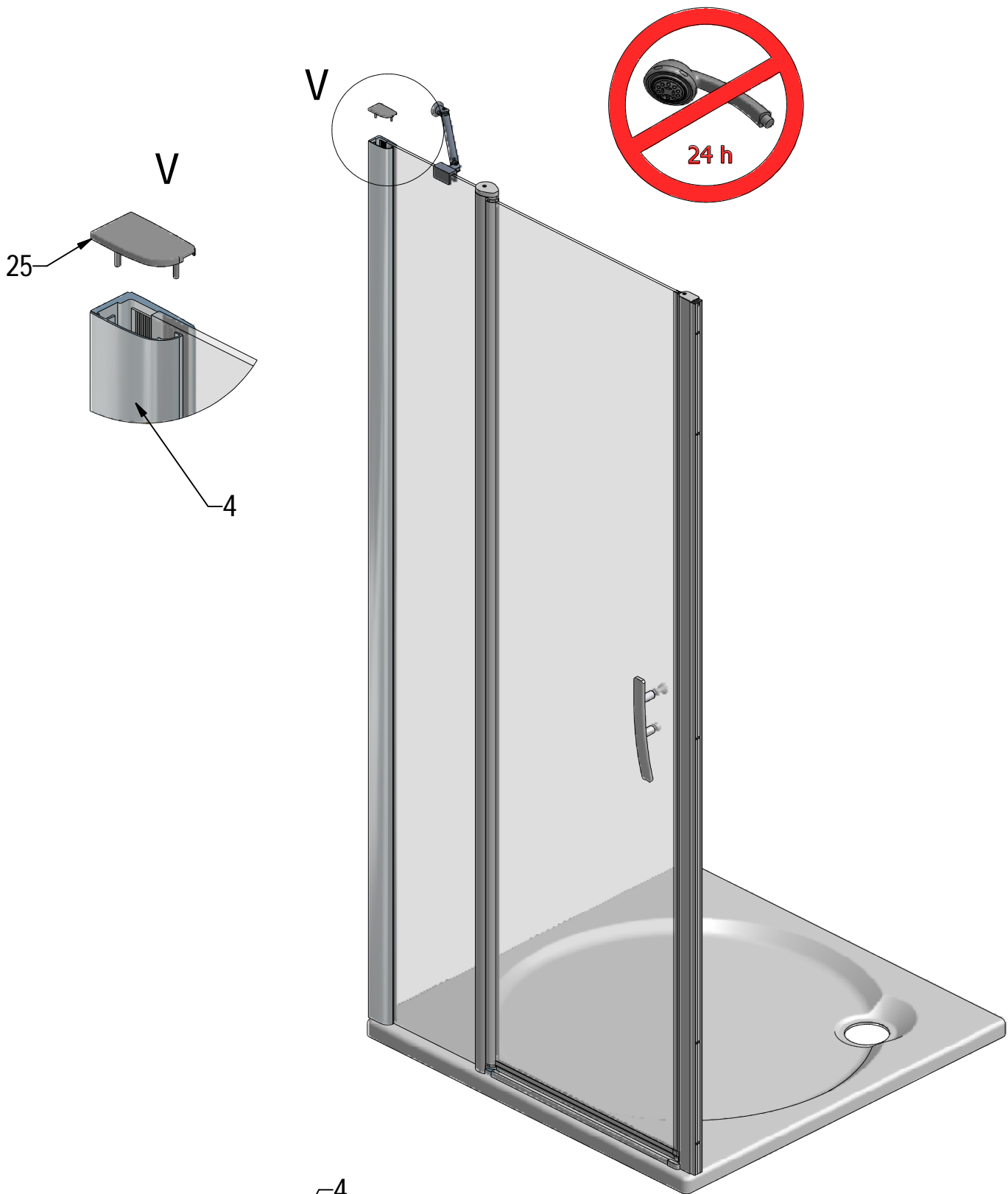


S2

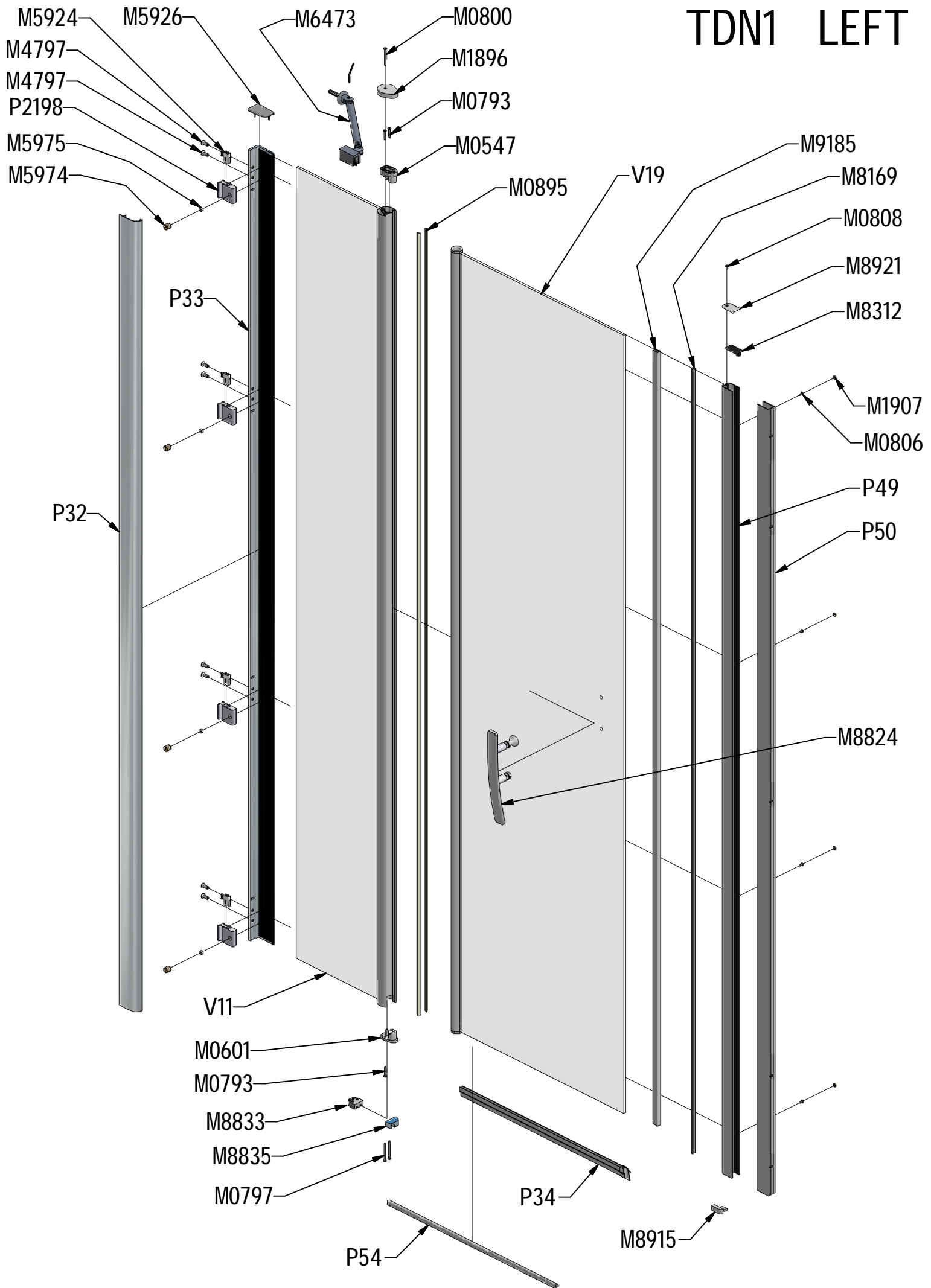


23

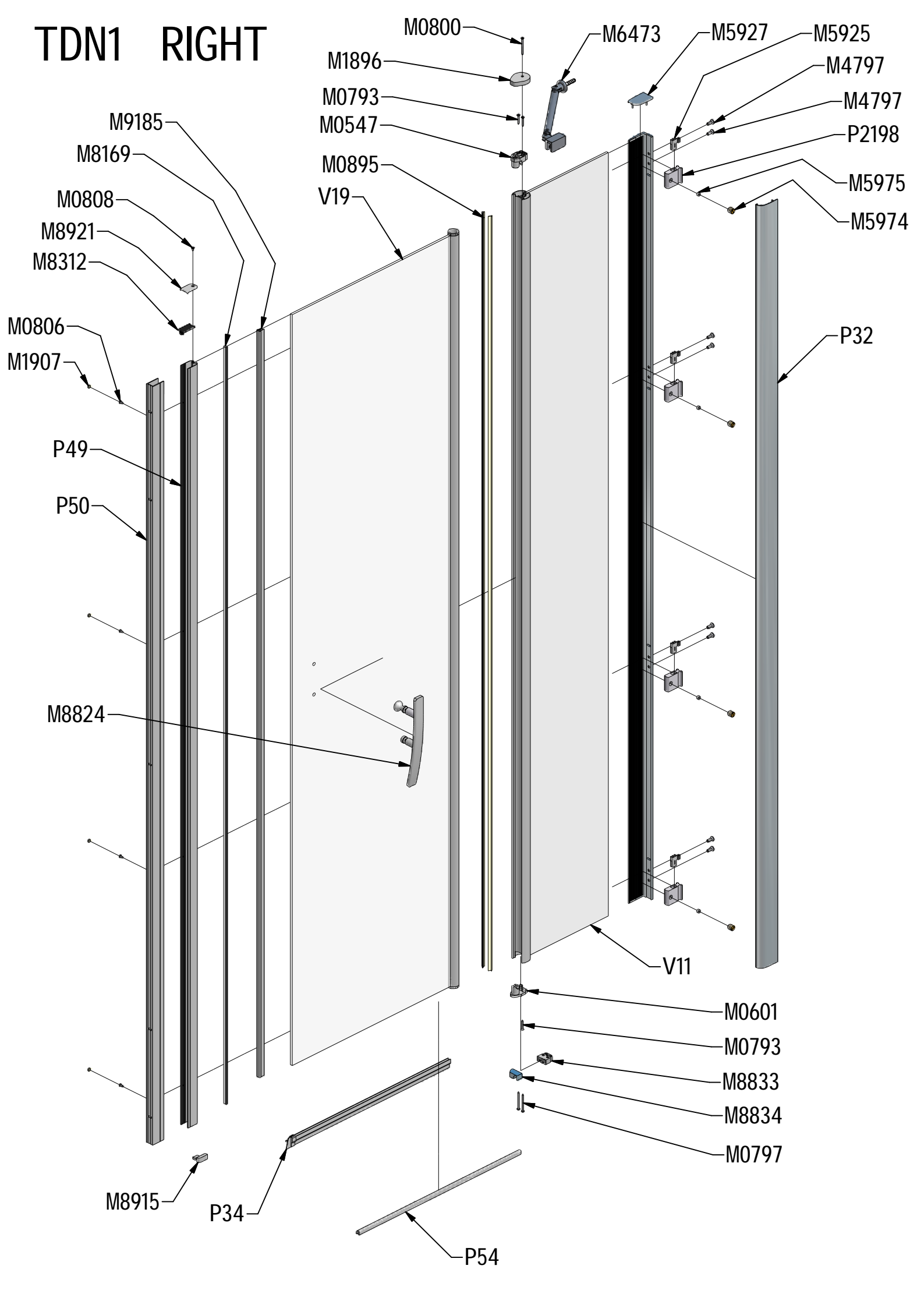




# TDN1 LEFT



# TDN1 RIGHT



P32		brillant	P2197
		elox	P2205
P33		brillant	ND01-0973-00
		elox	ND01-0973-01
P34			ND01-2420
P49		brillant	P2698
		elox	P2699
P50		brillant	P2700
		elox	P2701
P54	800		ND01-2277-8
	900		ND01-2277-9
	1000		ND01-2277-1

V11	800;900;1000	brillant+clear glass	brillant+ iré sklo	ND03-0198-00-02
		elox+clear glass	elox+ iré sklo	ND03-0198-01-02
V19	800	brillant+clear glass	brillant+ iré sklo	ND02-0517-00-02
		elox+clear glass	elox+ iré sklo	ND02-0517-01-02
	900	brillant+clear glass	brillant+ iré sklo	ND02-0518-00-02
		elox+clear glass	elox+ iré sklo	ND02-0518-01-02
	1000	brillant+clear glass	brillant+ iré sklo	ND02-0519-00-02
		elox+clear glass	elox+ iré sklo	ND02-0519-01-02



ROLTECHNIK a.s. / Třebořov 160 / 569 33,  
CZECH REPUBLIC

10

**EN 14428:2008+A1**