

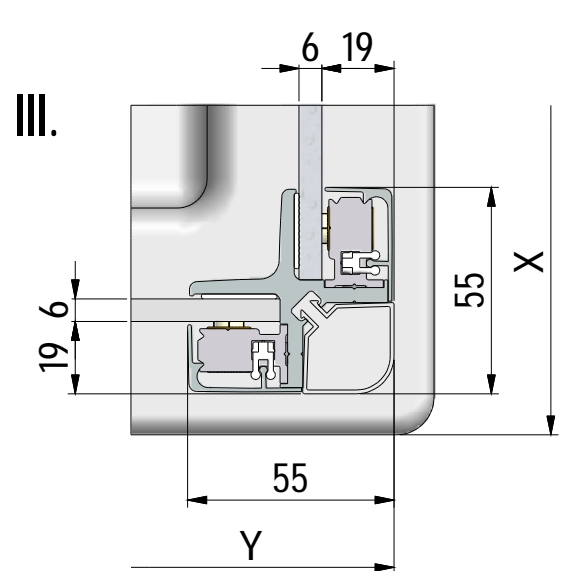
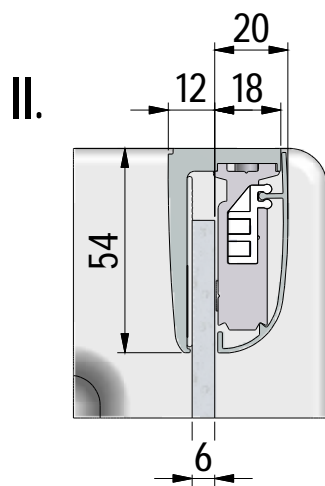
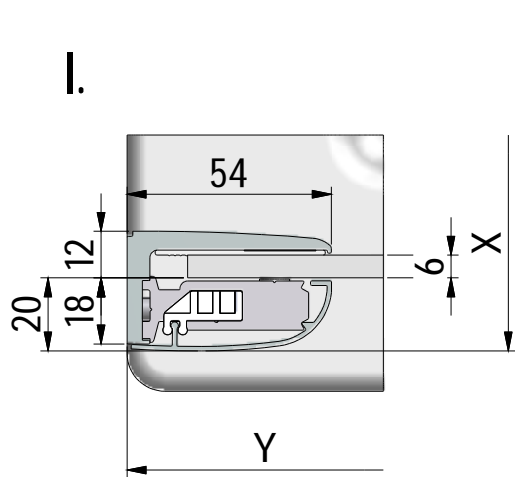
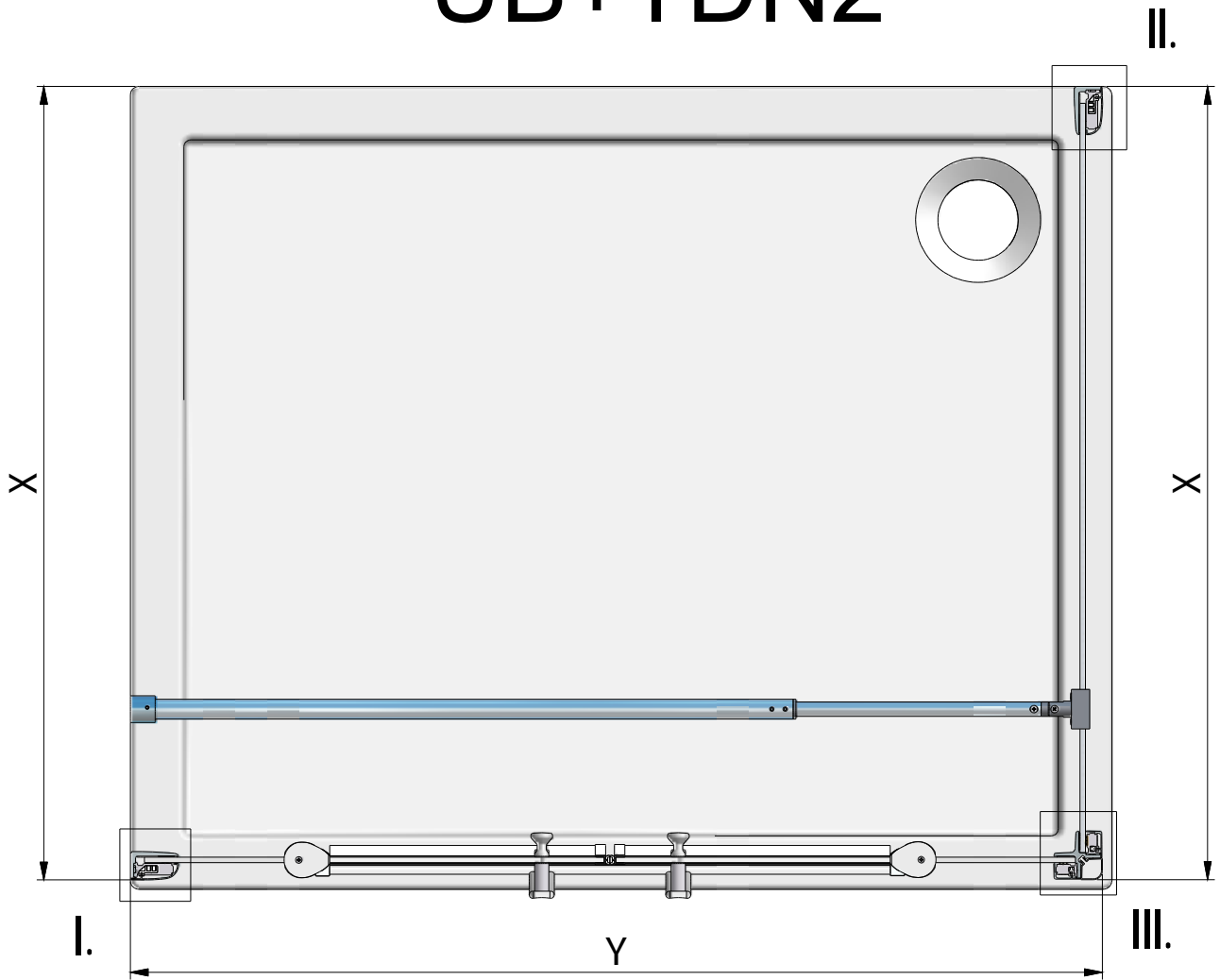
UB+TDN2



UB+GDN2

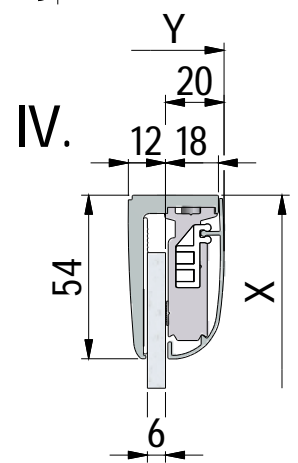
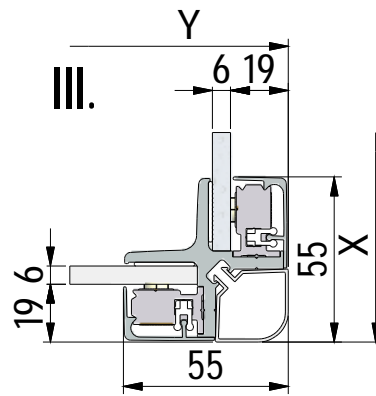
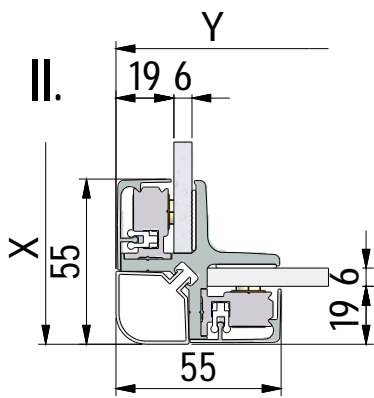
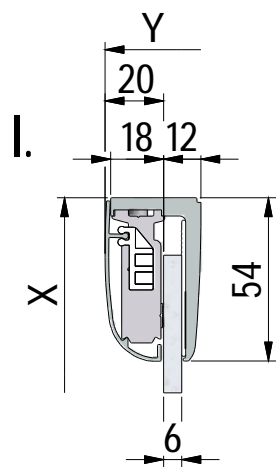
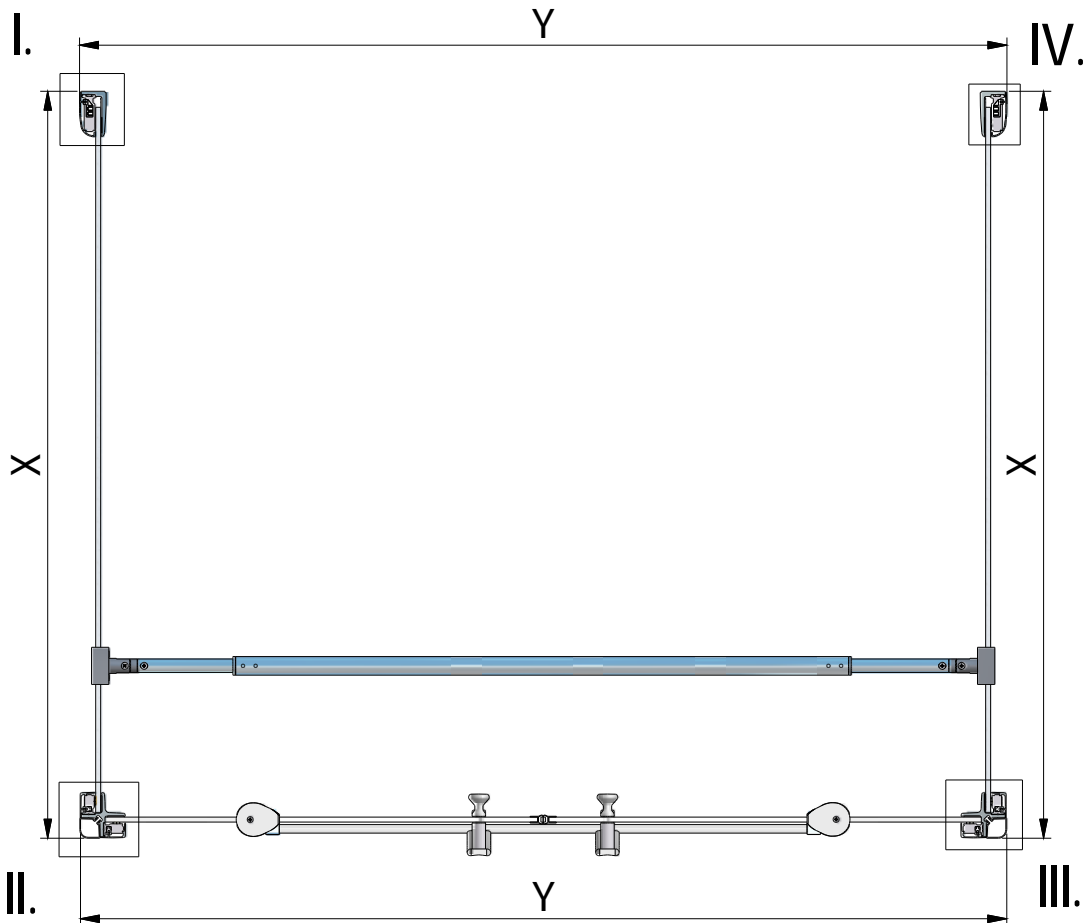


UB+TDN2



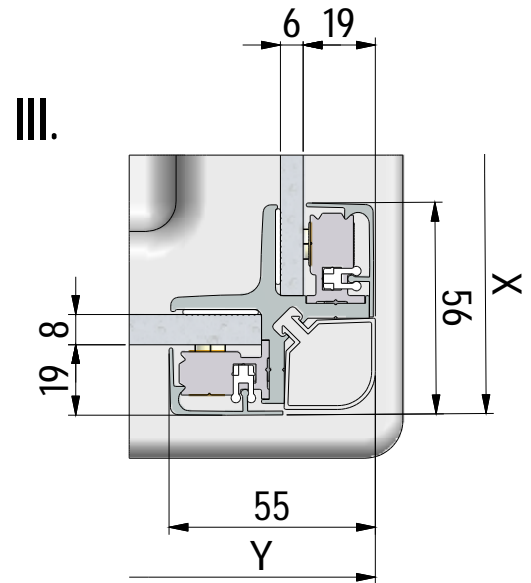
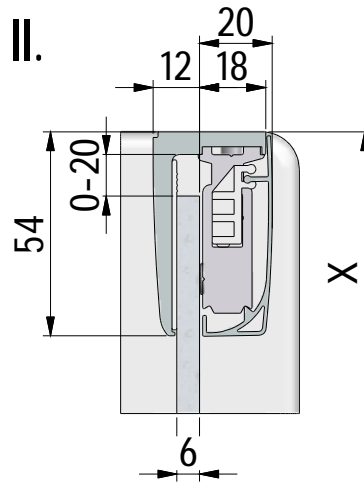
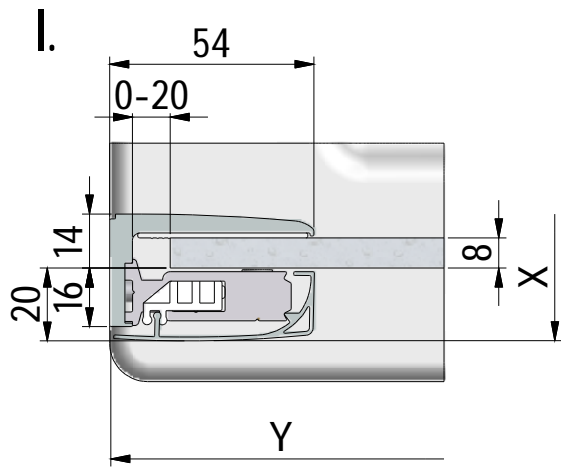
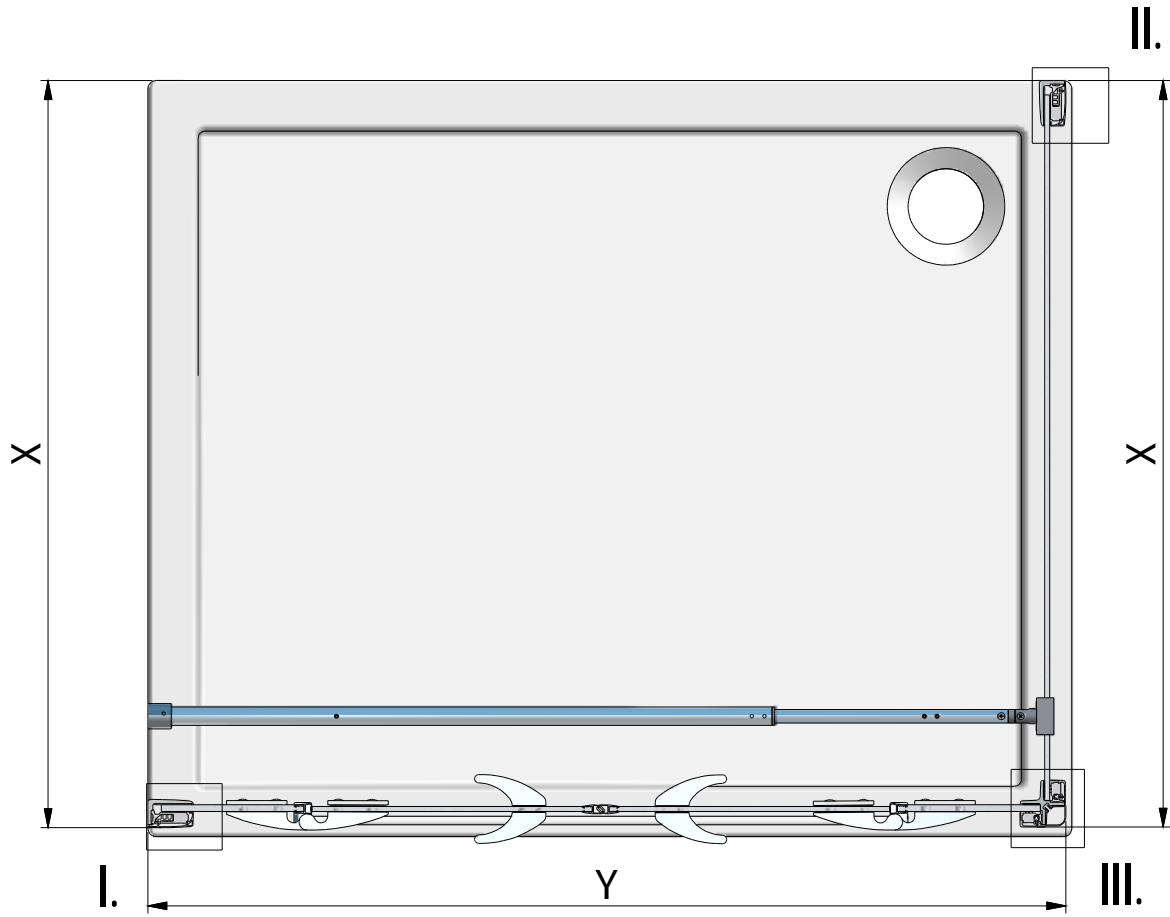
	X (mm)		Y (mm)	
	MIN	MAX	MIN	MAX
800	780	795	-	-
900	880	895	-	-
1000	980	995	-	-
1100	-	-	1080	1110
1200	-	-	1180	1210
1300	-	-	1280	1310
1400	-	-	1380	1410
1500	-	-	1480	1510

UB+TDN2+UB



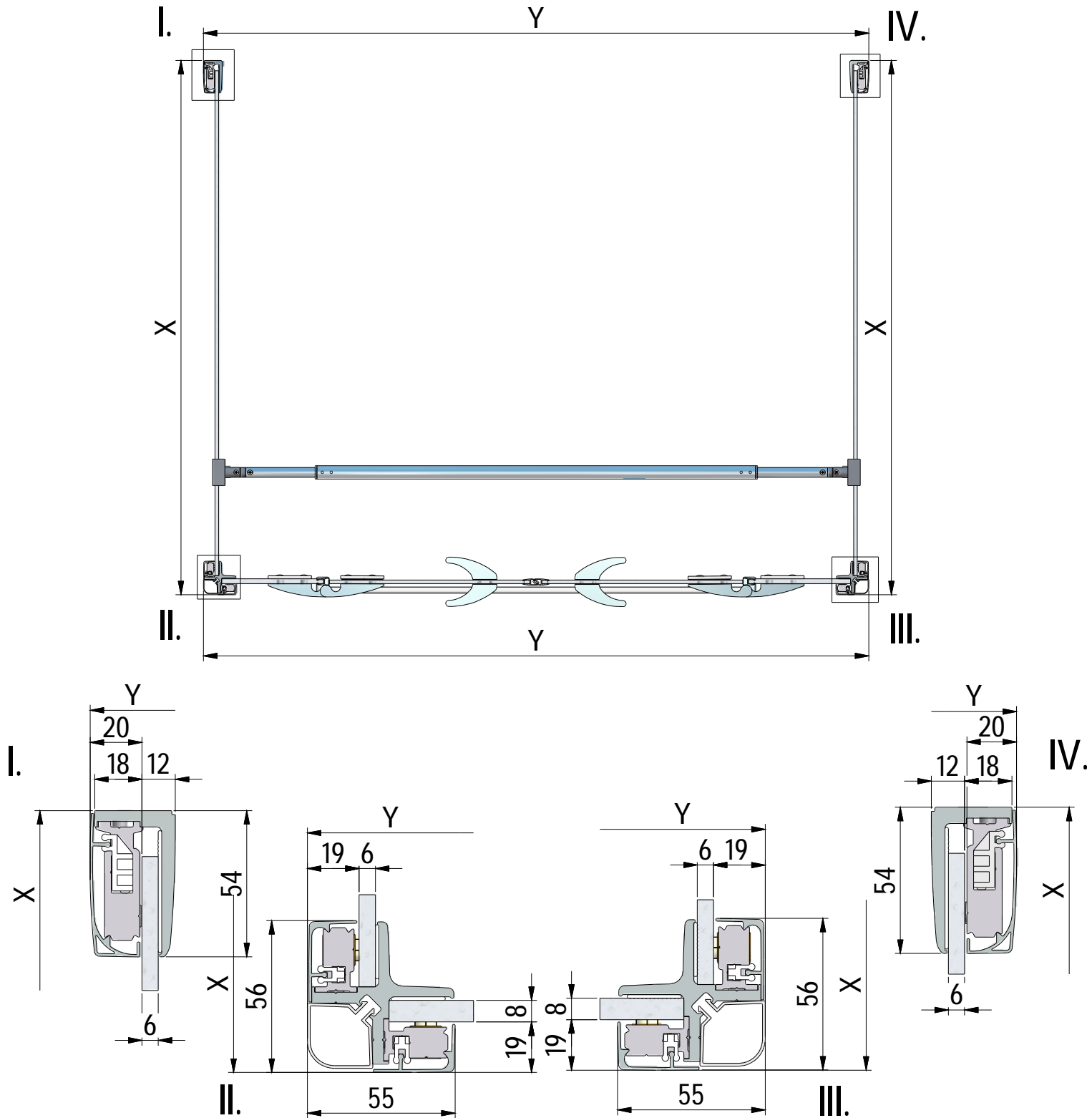
	X (mm)		Y (mm)	
	MIN	MAX	MIN	MAX
800	780	795	-	-
900	880	895	-	-
1000	980	995	-	-
1100	-	-	1104	1125
1200	-	-	1204	1225
1300	-	-	1304	1325
1400	-	-	1404	1425
1500	-	-	1504	1525

UB+GDN2



	X (mm)		Y (mm)	
	MIN	MAX	MIN	MAX
800	780	795	-	-
900	880	895	-	-
1000	980	995	-	-
1100	-	-	1085	1115
1200	-	-	1185	1215
1300	-	-	1285	1315
1400	-	-	1385	1415
1500	-	-	1485	1515

UB+GDN2+UB

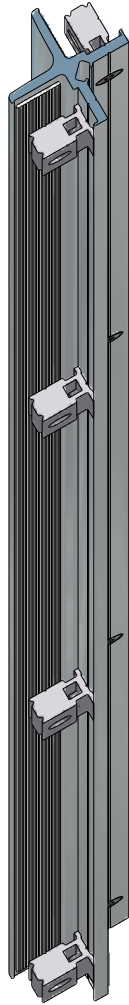


	X (mm)		Y (mm)	
	MIN	MAX	MIN	MAX
800	780	795	-	-
900	880	895	-	-
1000	980	995	-	-
1100	-	-	1108	1130
1200	-	-	1208	1230
1300	-	-	1308	1330
1400	-	-	1408	1430
1500	-	-	1508	1530

1. 1x
V35



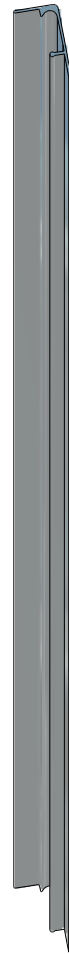
3. 1x



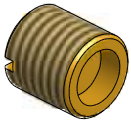
4. 1x
P66



5. 2x
P68



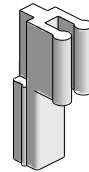
9. 8x
M5974



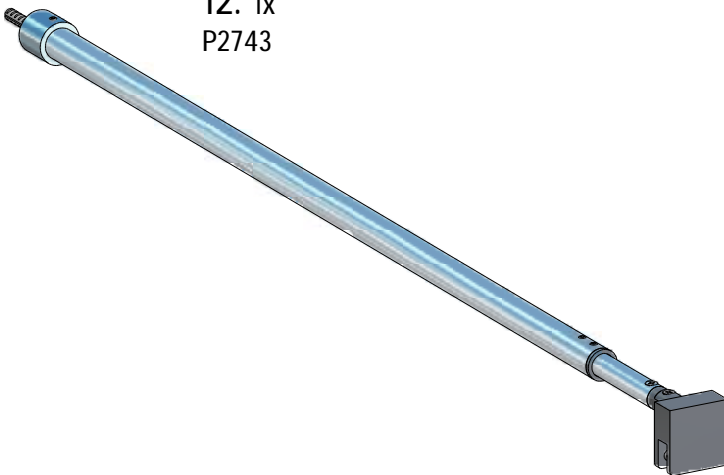
10. 8x
M5975



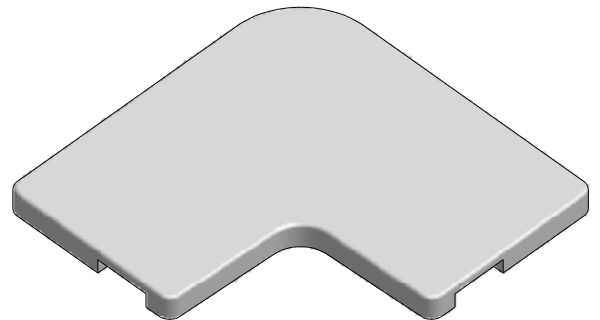
11. 8x
M8924



12. 1x
P2743

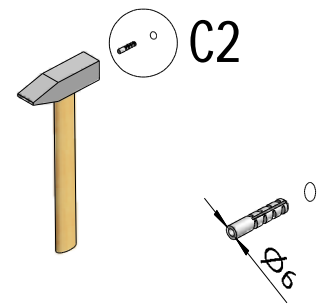
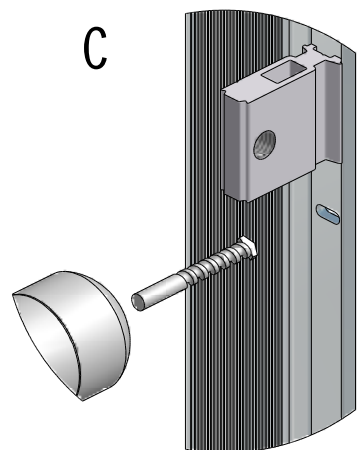
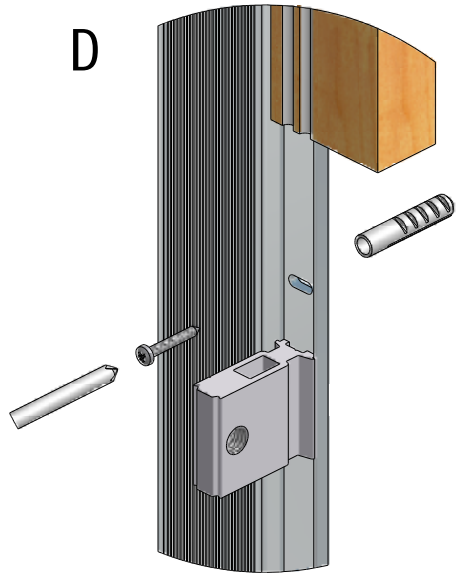
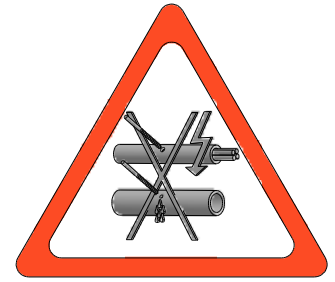
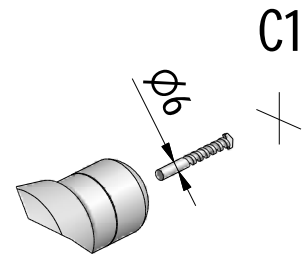
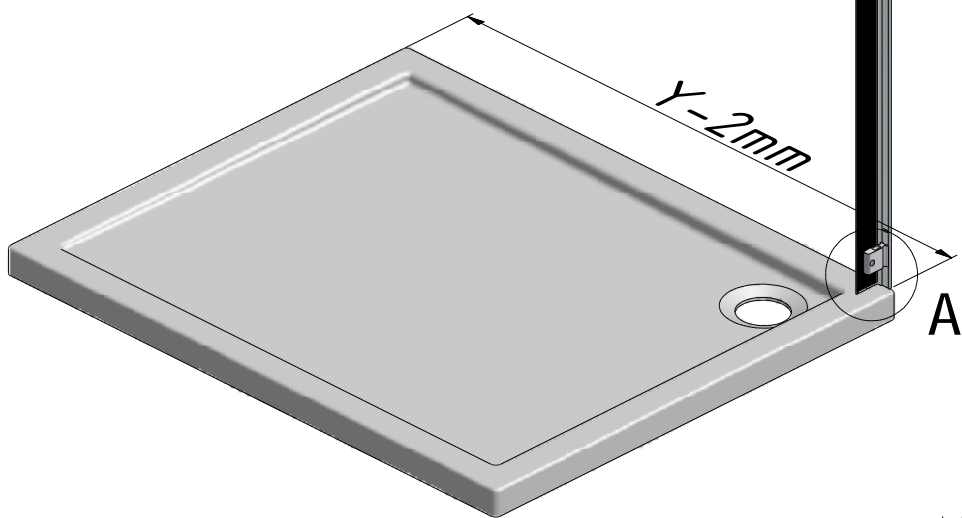
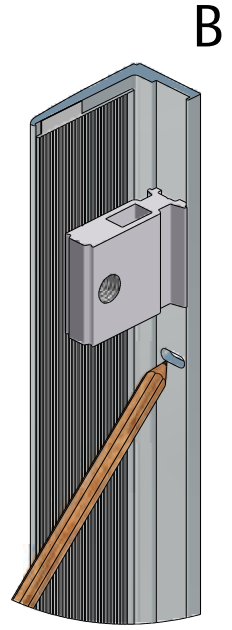
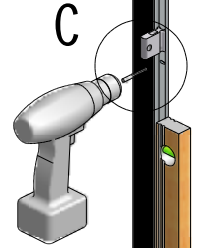
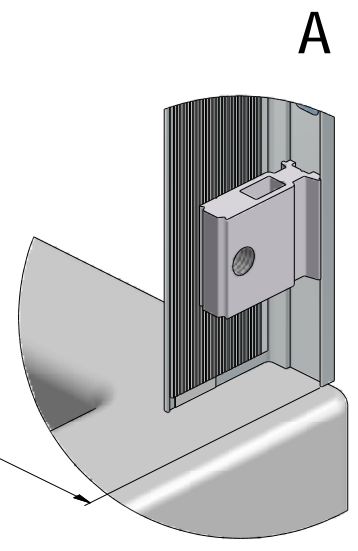
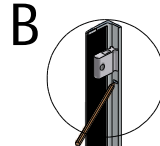


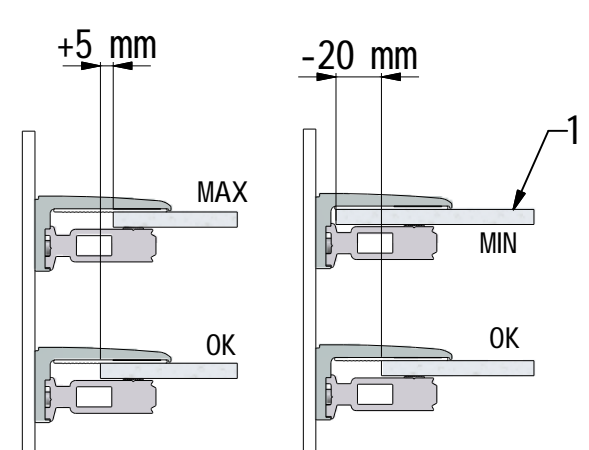
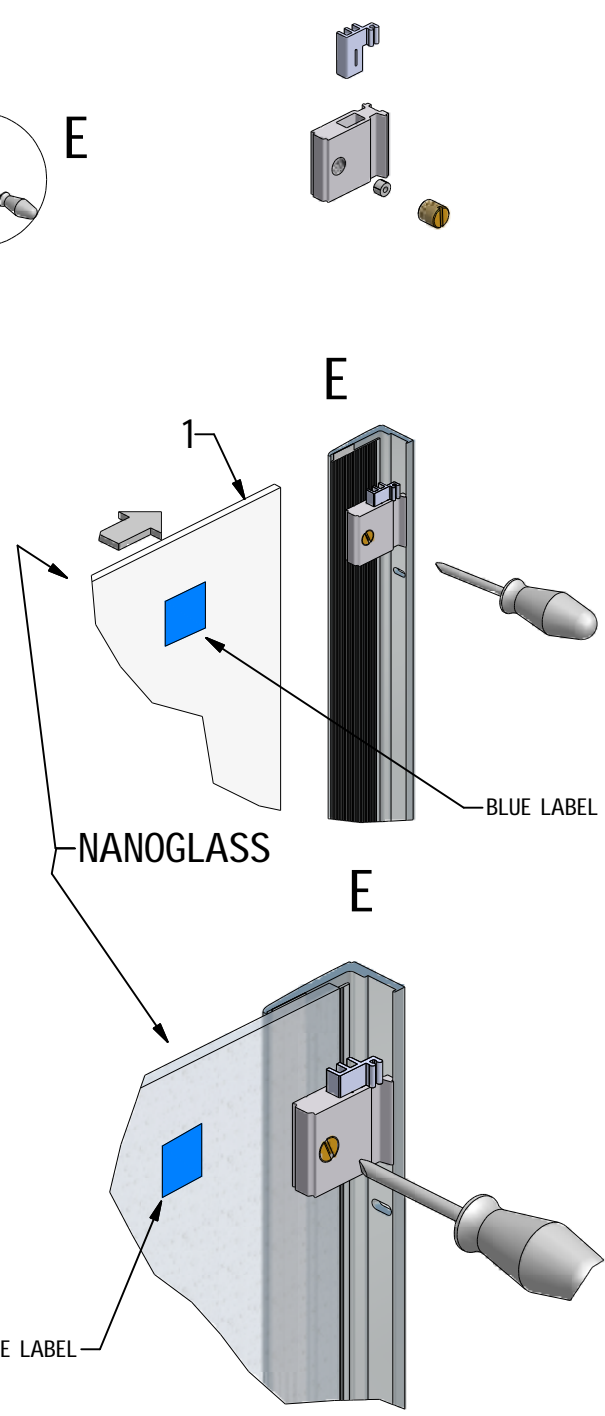
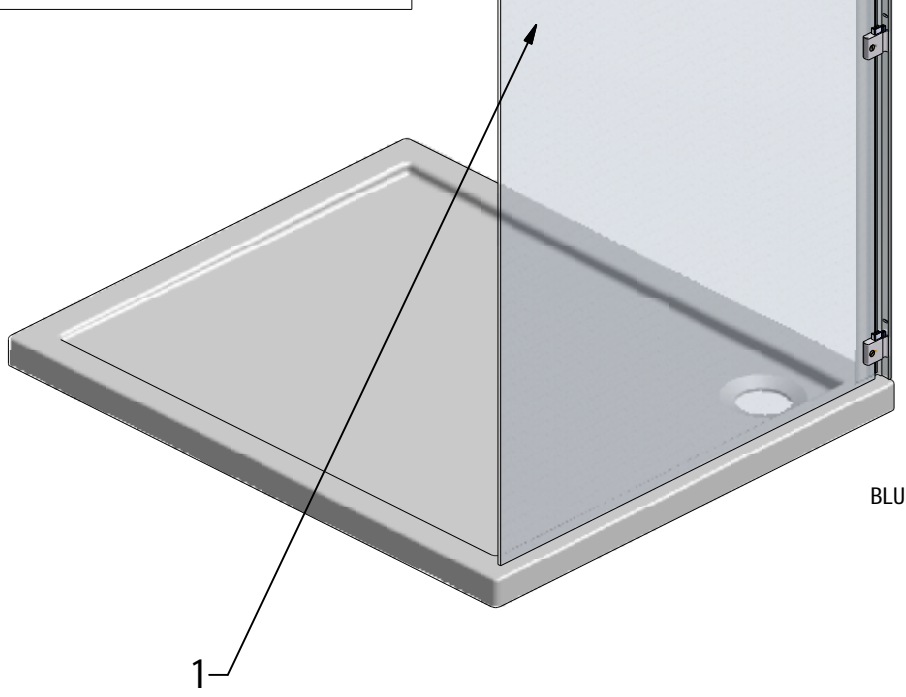
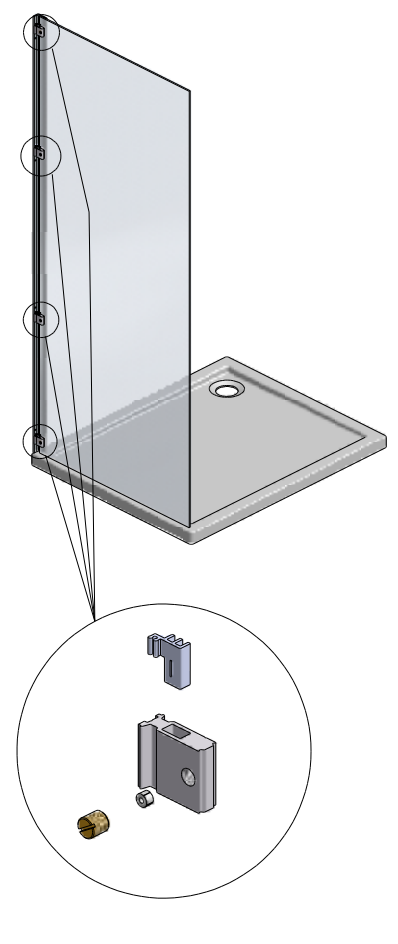
13. 1x
M8931

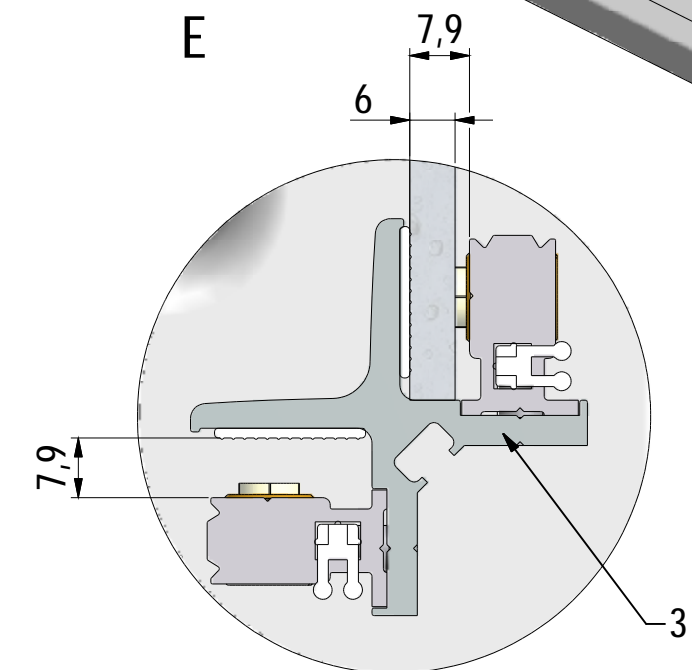
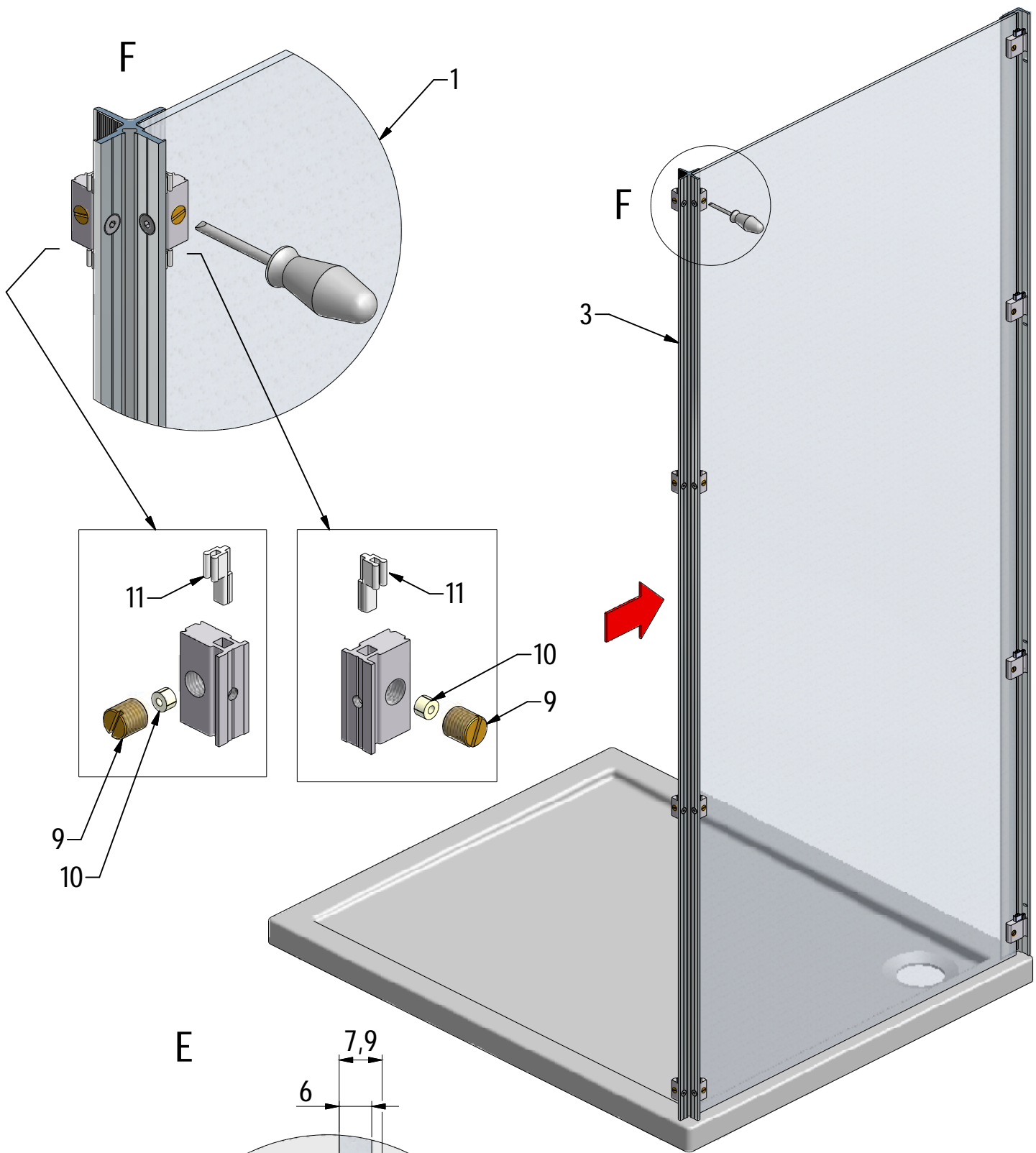




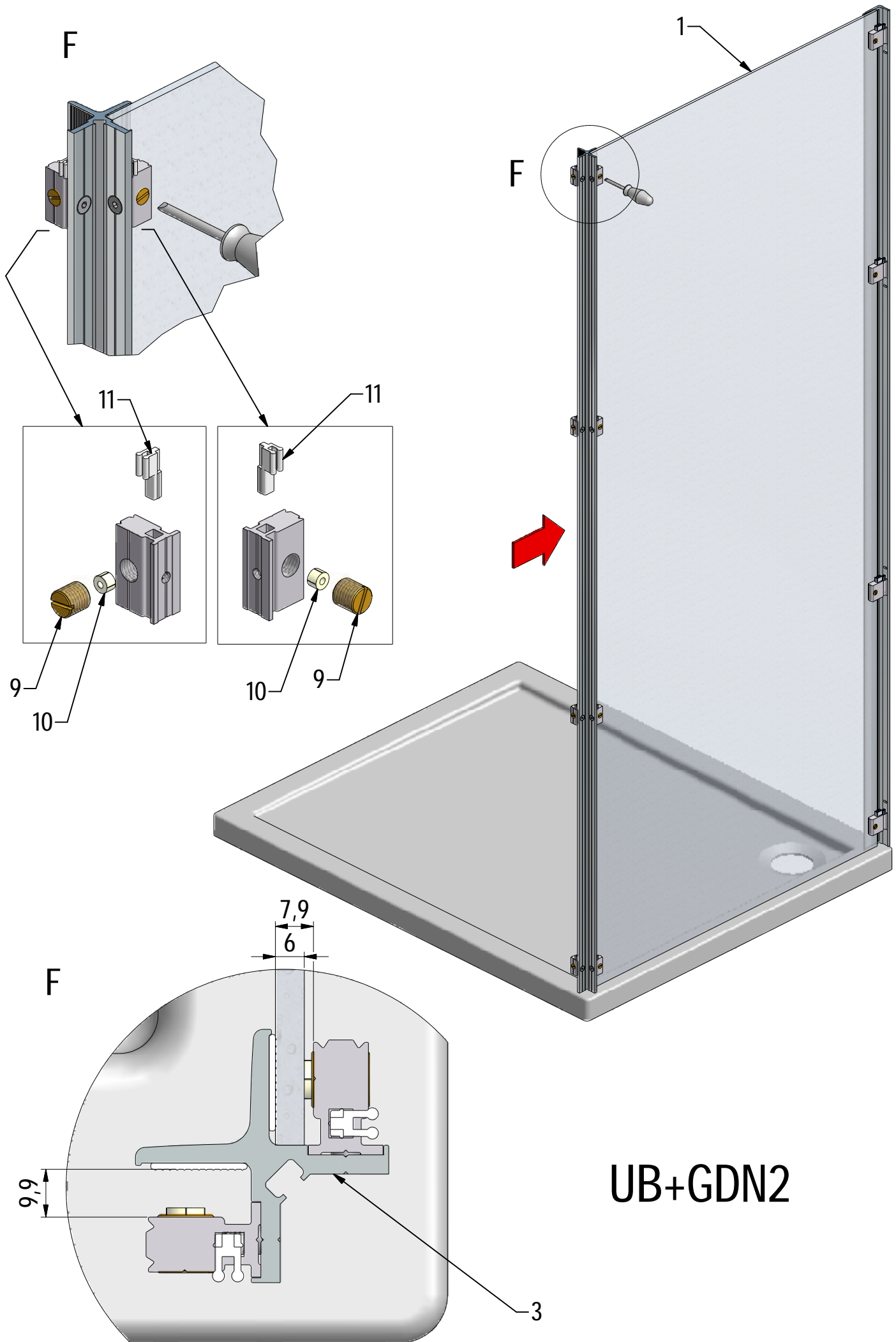
POS.3
instruction
manual TDN2



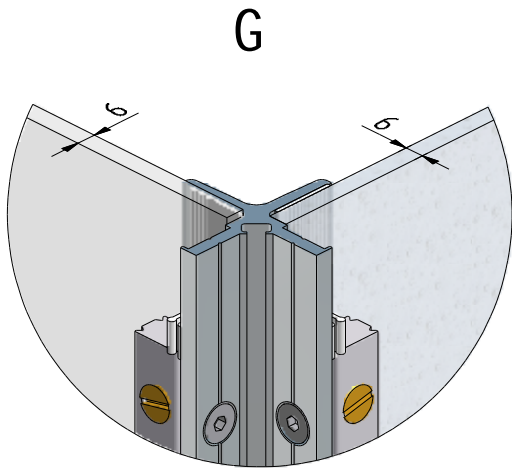




UB+TDN2



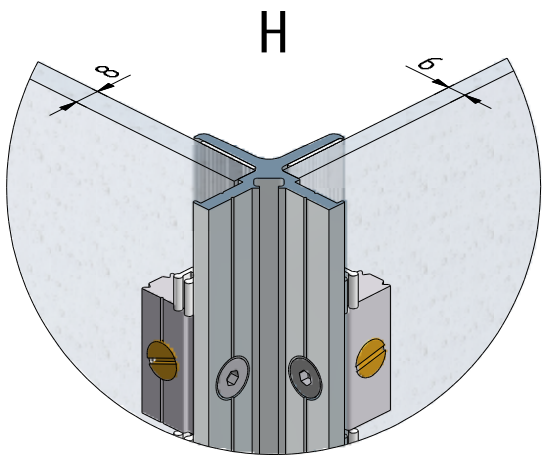
UB+TDN2



instruction
manual TDN2



UB+GDN2

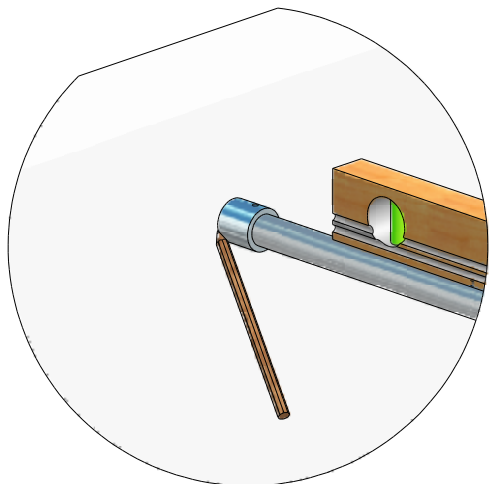


instruction
manual GDN2

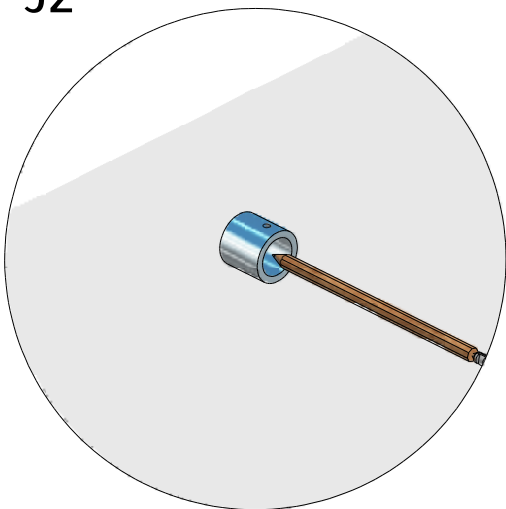




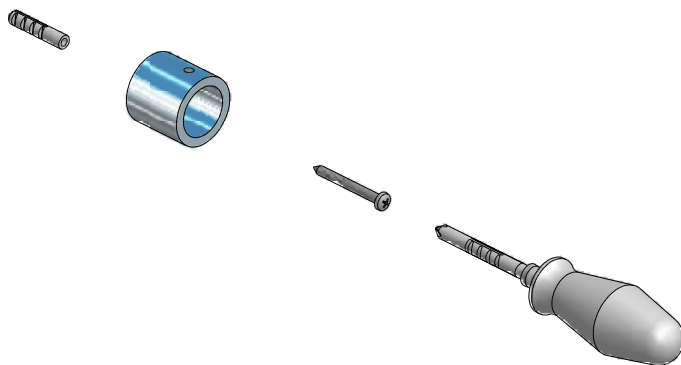
J1



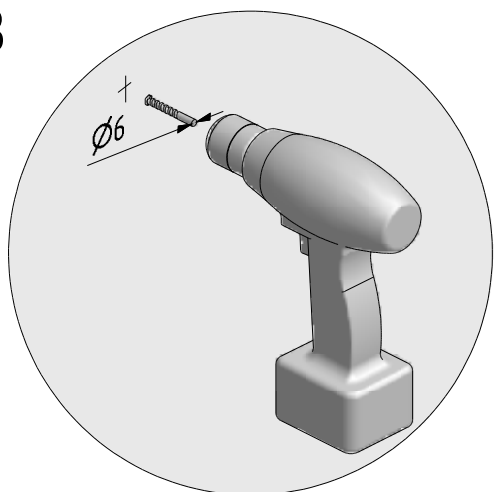
J2

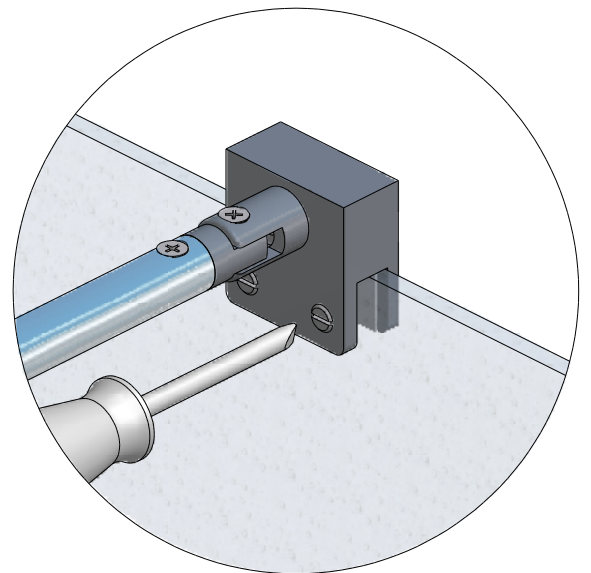
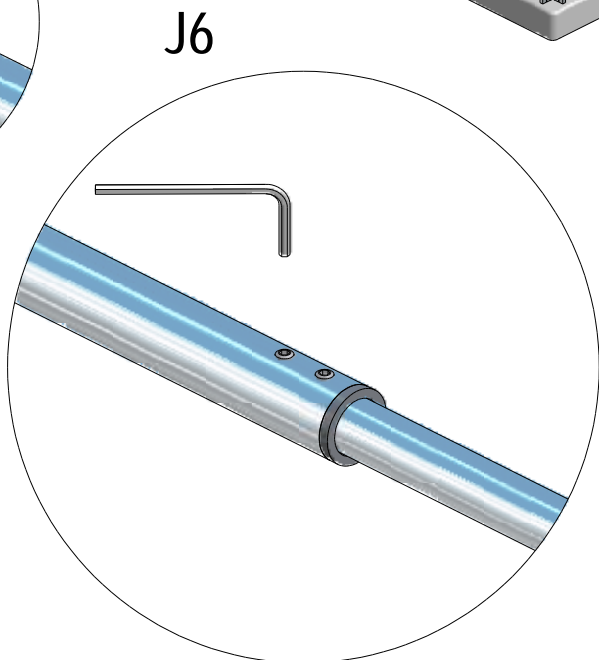
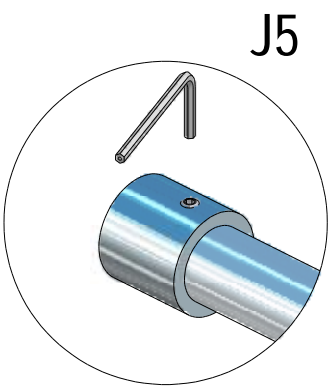
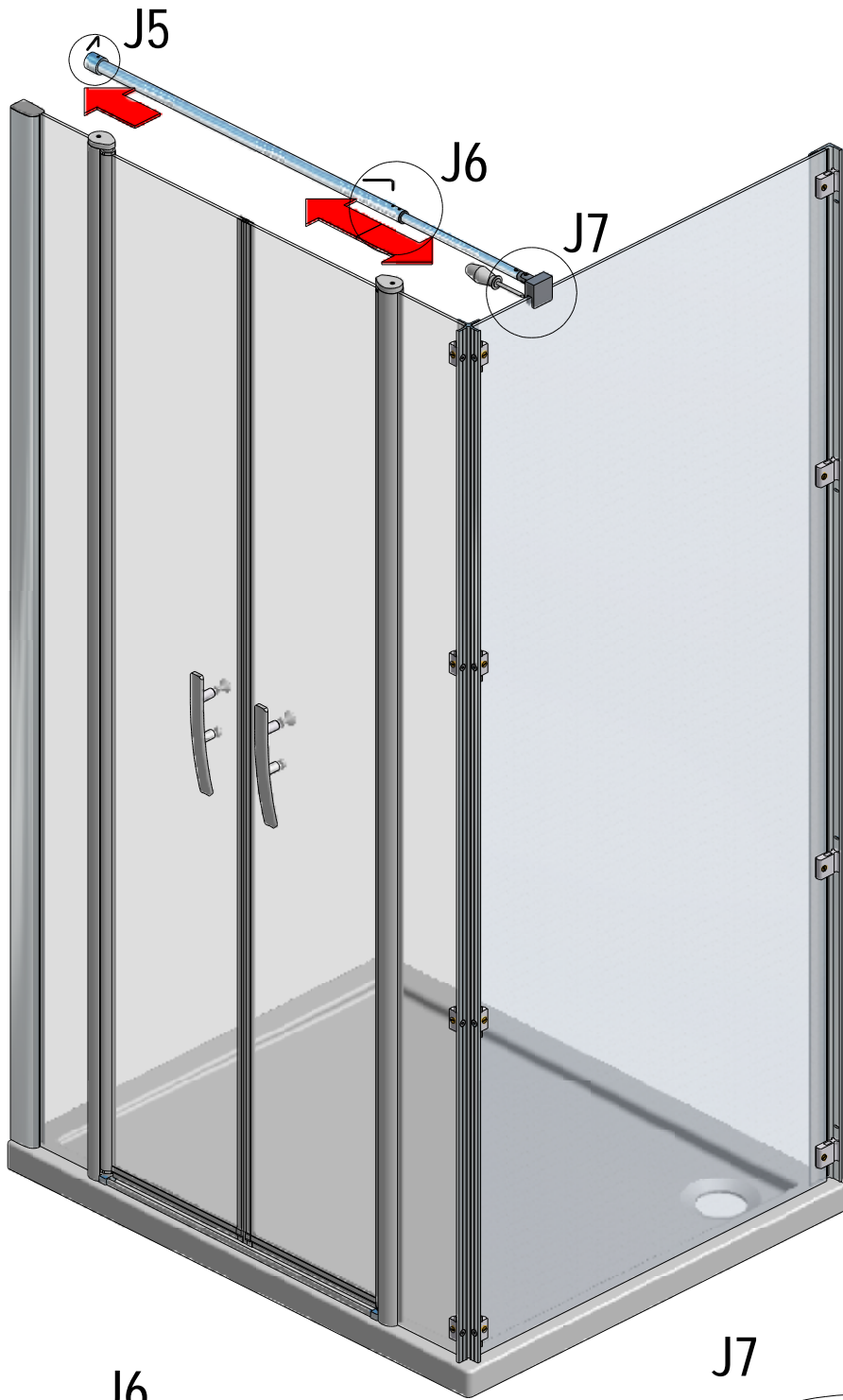


J4



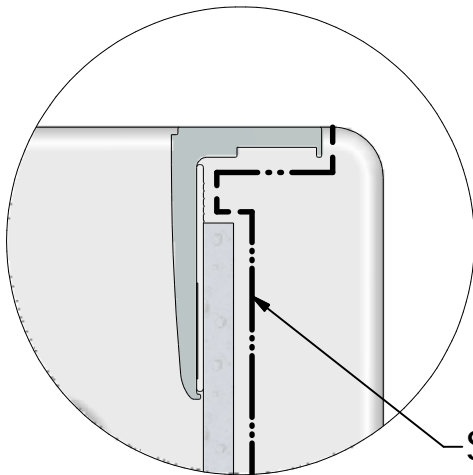
J3



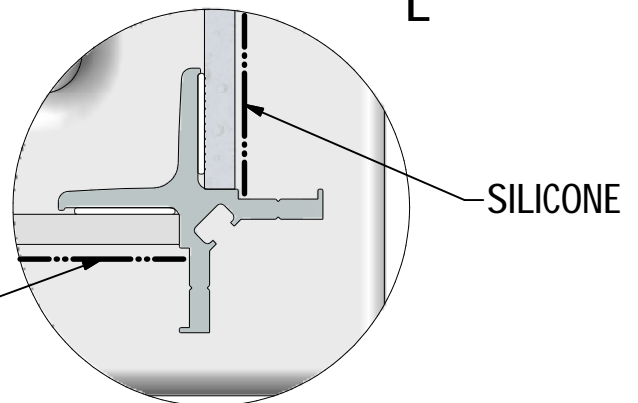


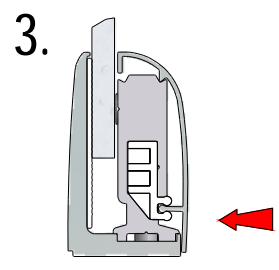
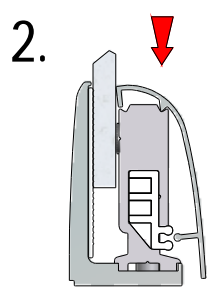
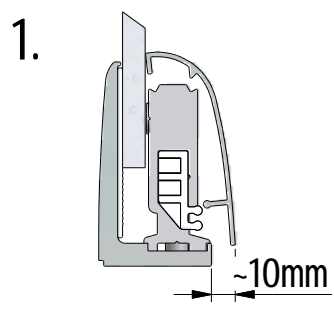
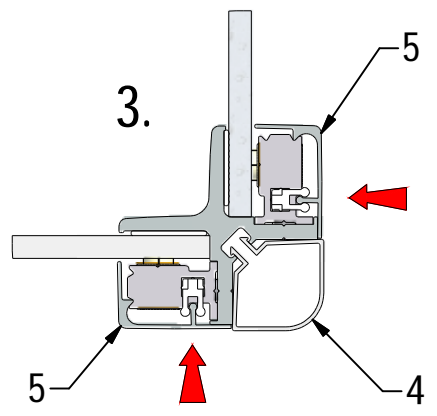
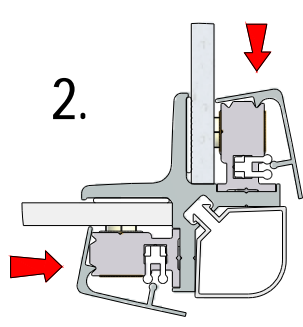
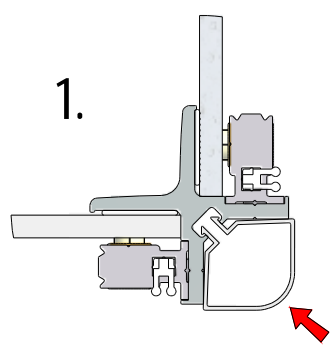
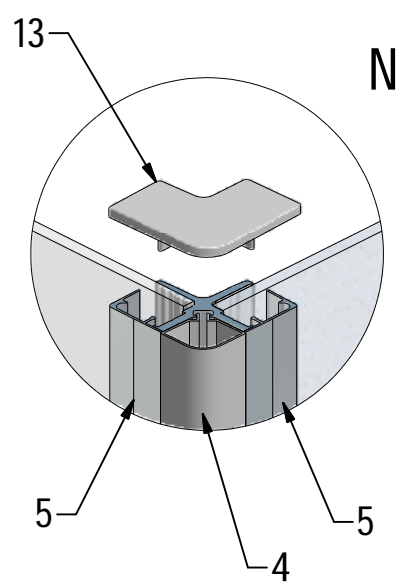
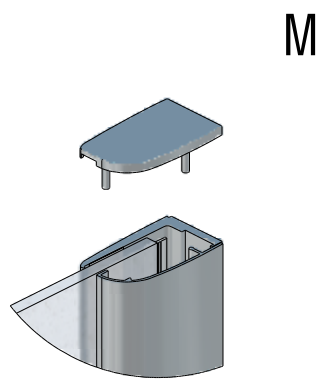


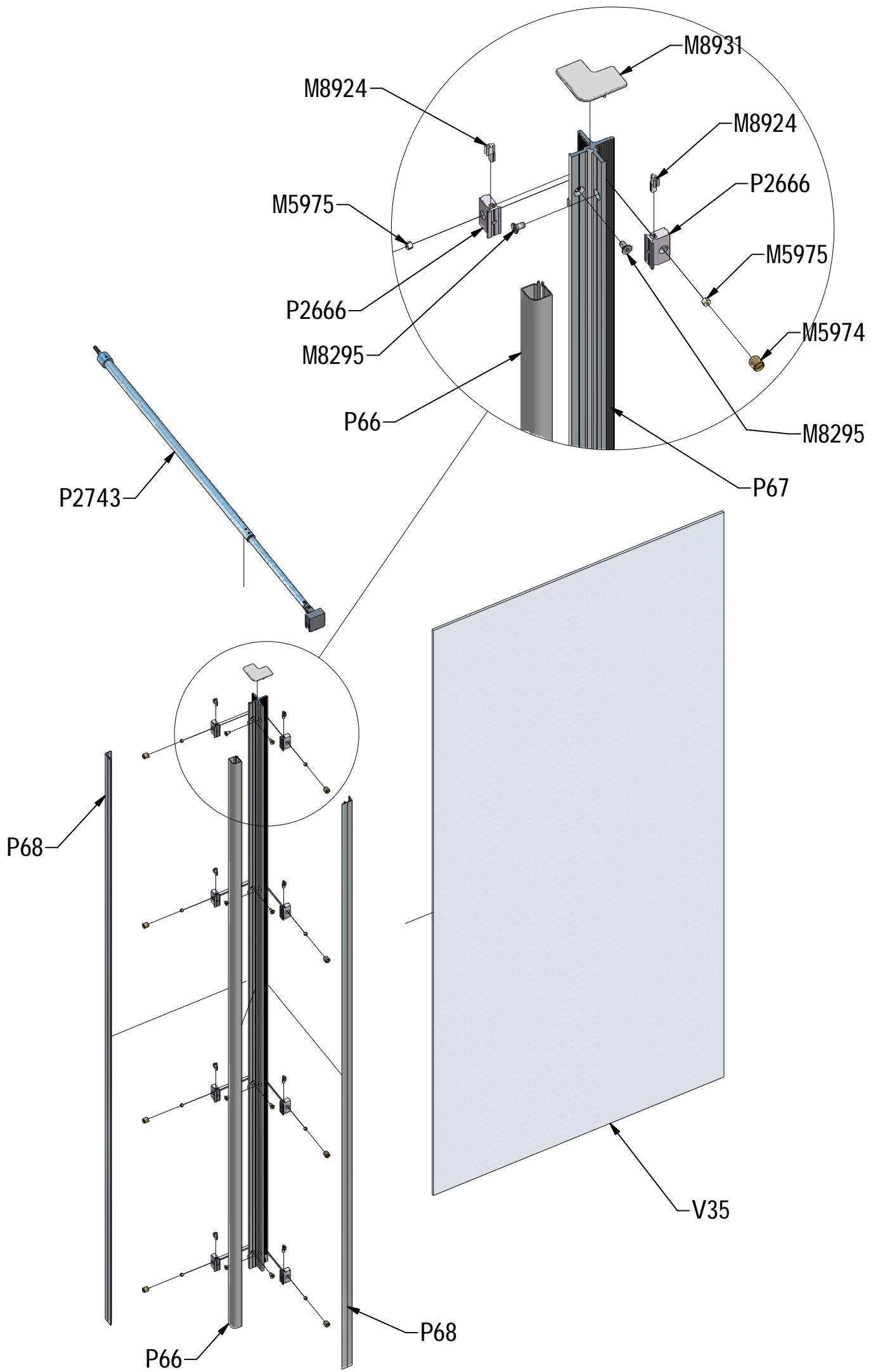
K



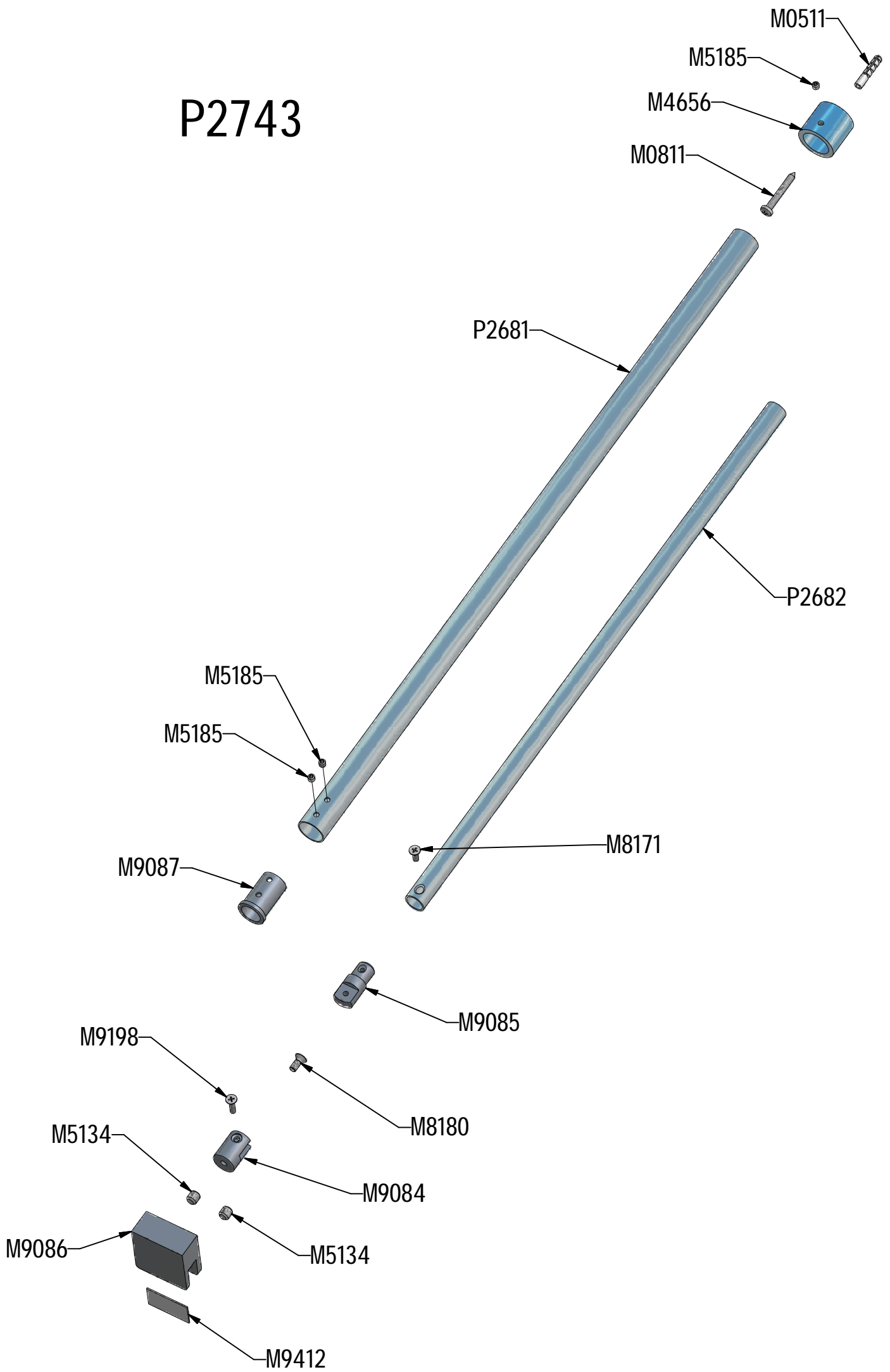
L







P2743



P66		brilant	P2677
		elox	P2680
P67		brilant	ND01-2395-00
		elox	ND01-2395-01
P68		brilant	P2665
		elox	P2678
V35	800	clear glass	ND03-0383-00-02
	900	clear glass	ND03-0384-00-02
	1000	clear glass	ND03-0385-00-02



**ROLTECHNIK a.s. / Třebov 160 / 569 33,
CZECH REPUBLIC**

10

EN 14428:2008+A1