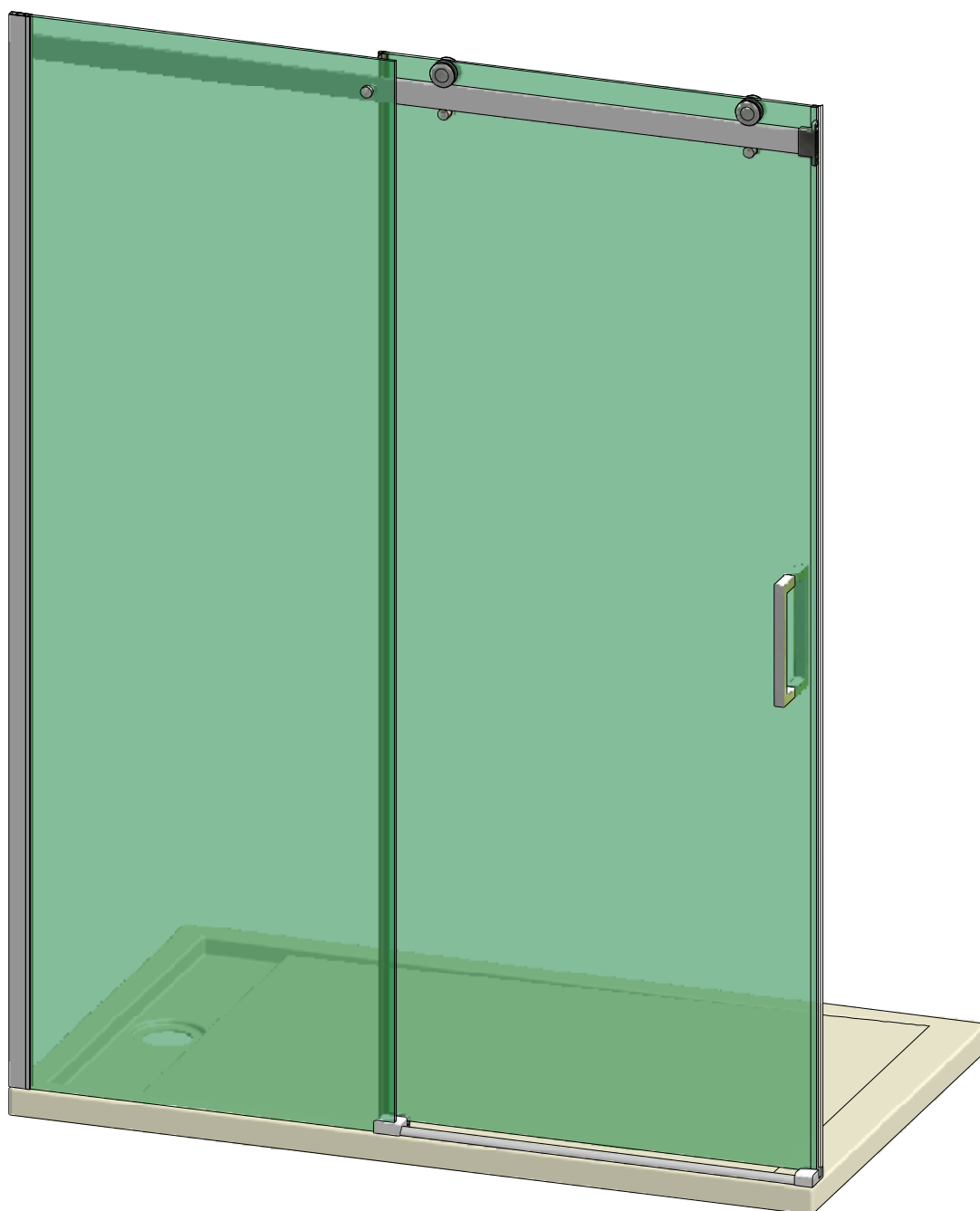
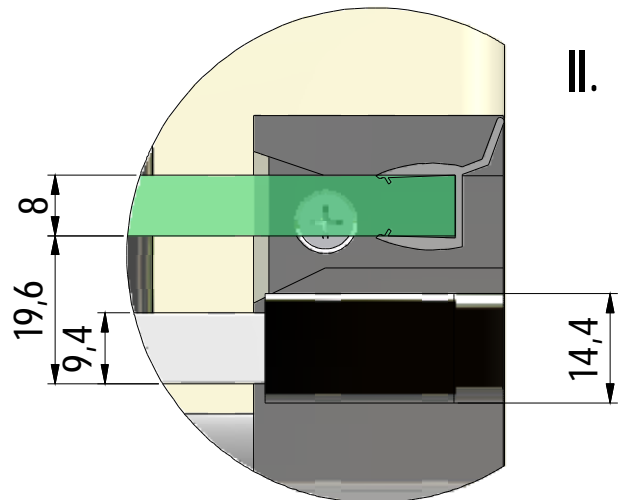
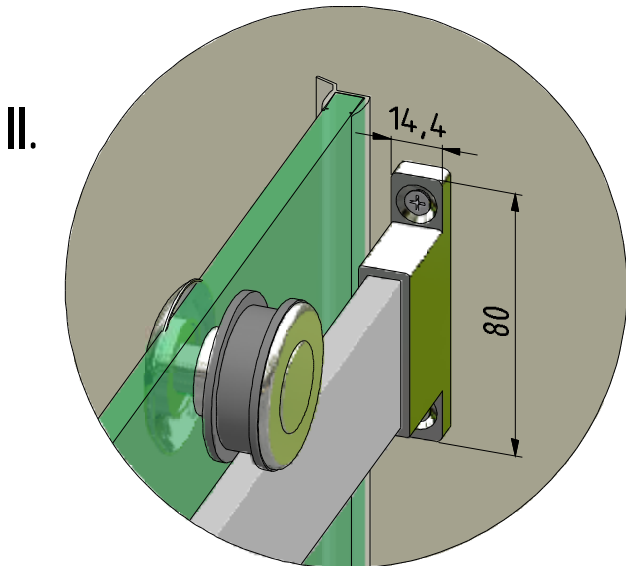
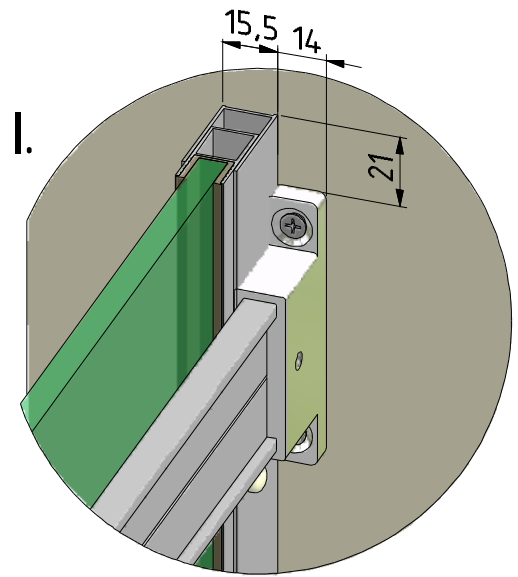
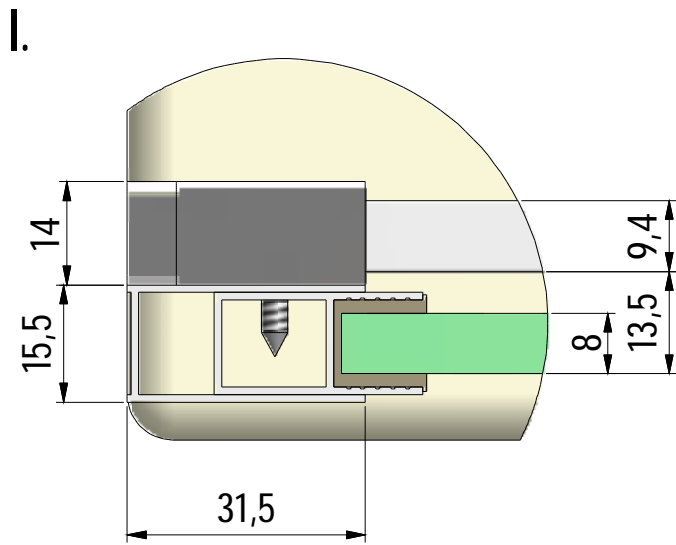
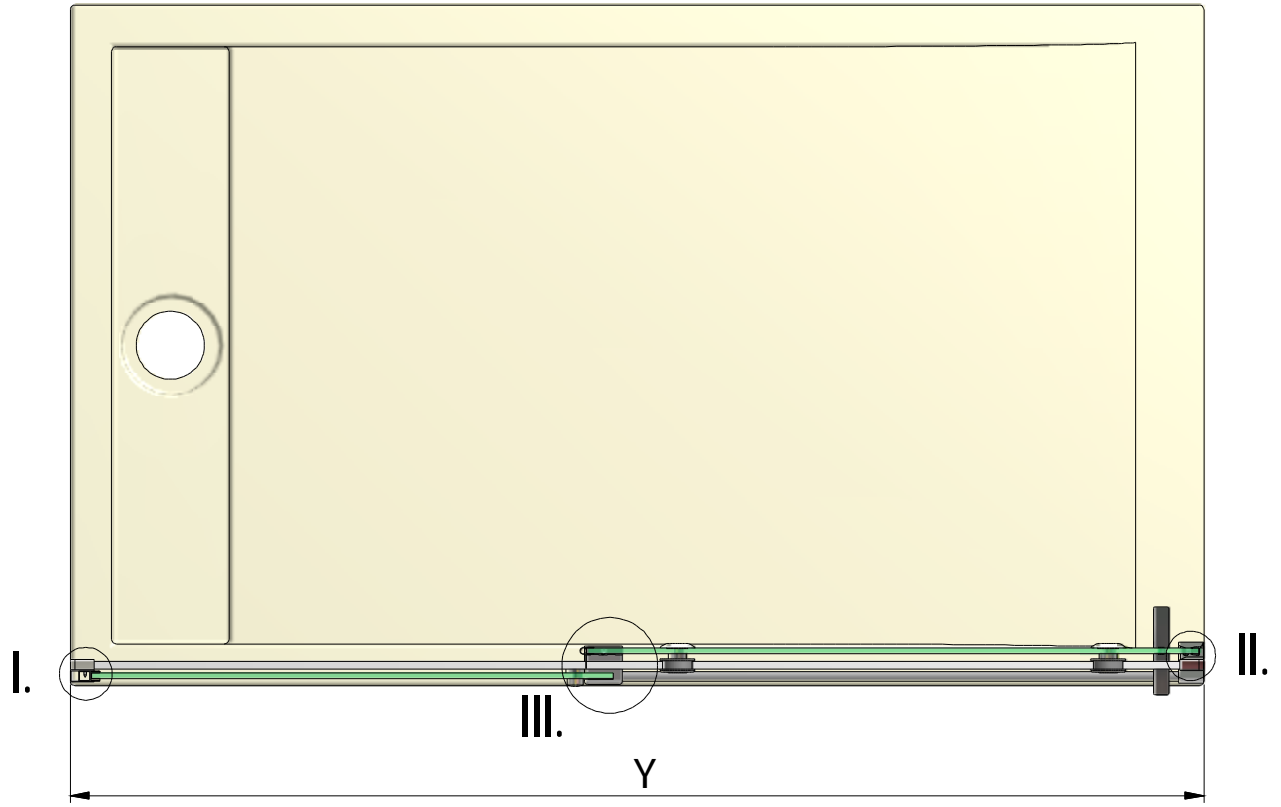


AMD2

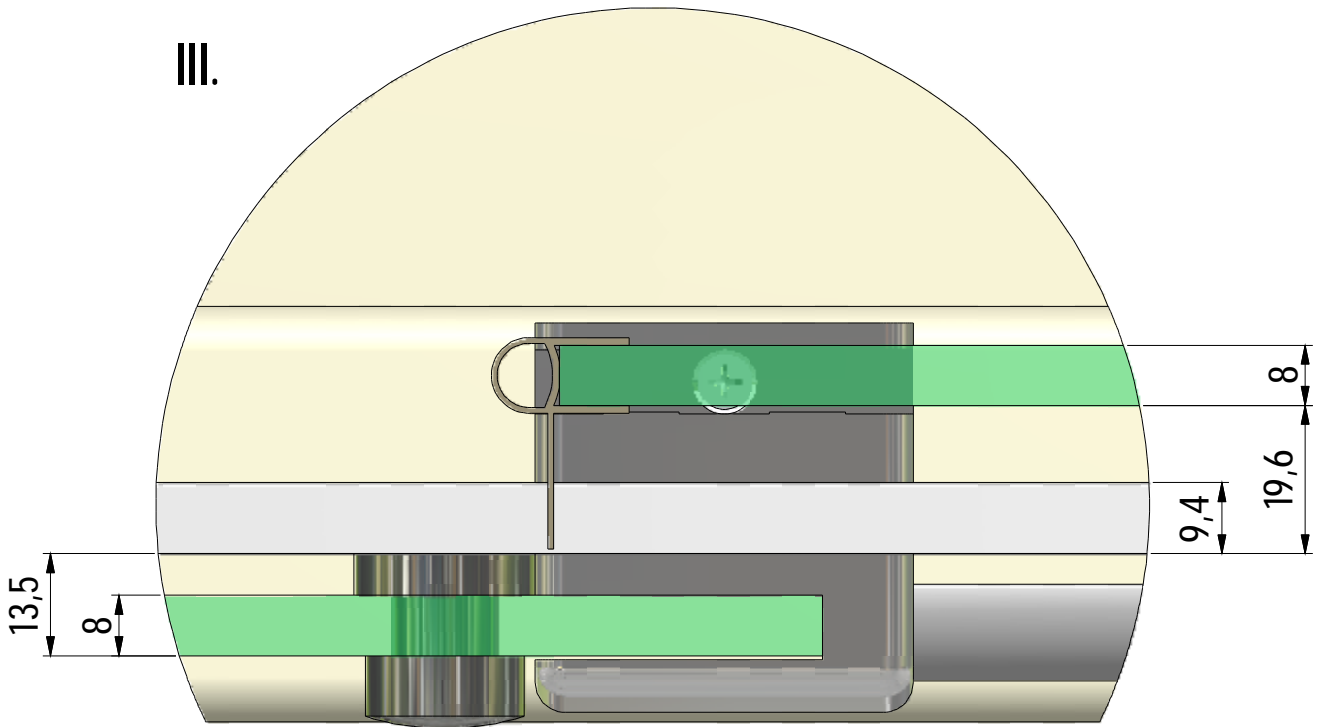


Roltechnik a.s.; Czech Republic, 56933 Třebařov 160,
tel.: +420 461 324 301/302, fax: +420 461 324 297,
<http://www.roltechnik.com>; e-mail: objednavky@roltechnik.cz

R02
M9482



III.

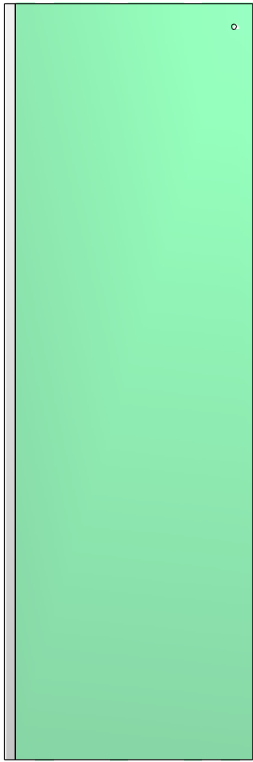


AMD2	Y (mm)	
	MIN	MAX
1200	1100	1200
1300	1200	1300
1400	1300	1400
1500	1400	1500

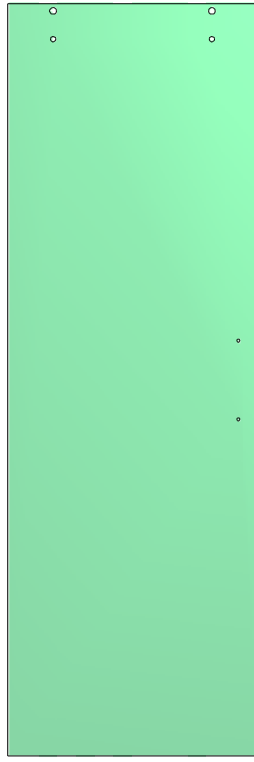
1. 1x
P2850



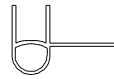
2. 1x



3. 1x



6. 1x
M9123



7. 1x
M9124



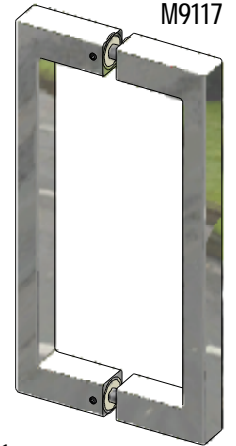
8. 1x
P58



9. 1x
P59



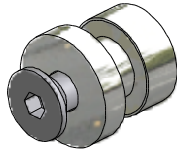
10. 1x
M9117



11. 2x
M9115



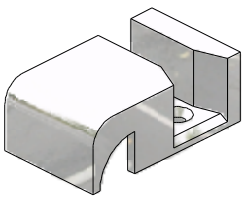
13. 1x
M9116



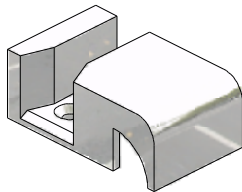
14. 2x
M9112



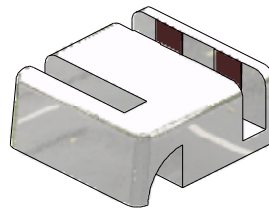
21. 1x
M9490



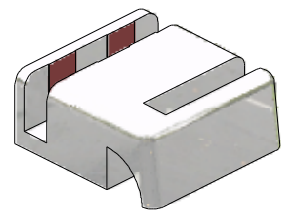
22. 1x
M9488



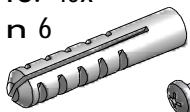
23. 1x
M9489



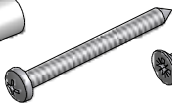
24. 1x
M9491



16. 10x
n 6
M0511

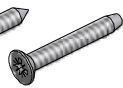


17. 8x



n 3,9x38
M0811

18. 2x



n 3,5x25
M0793

19. 4x



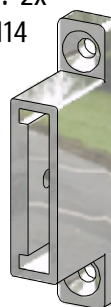
n 3,5x9
M0806

20. 4x



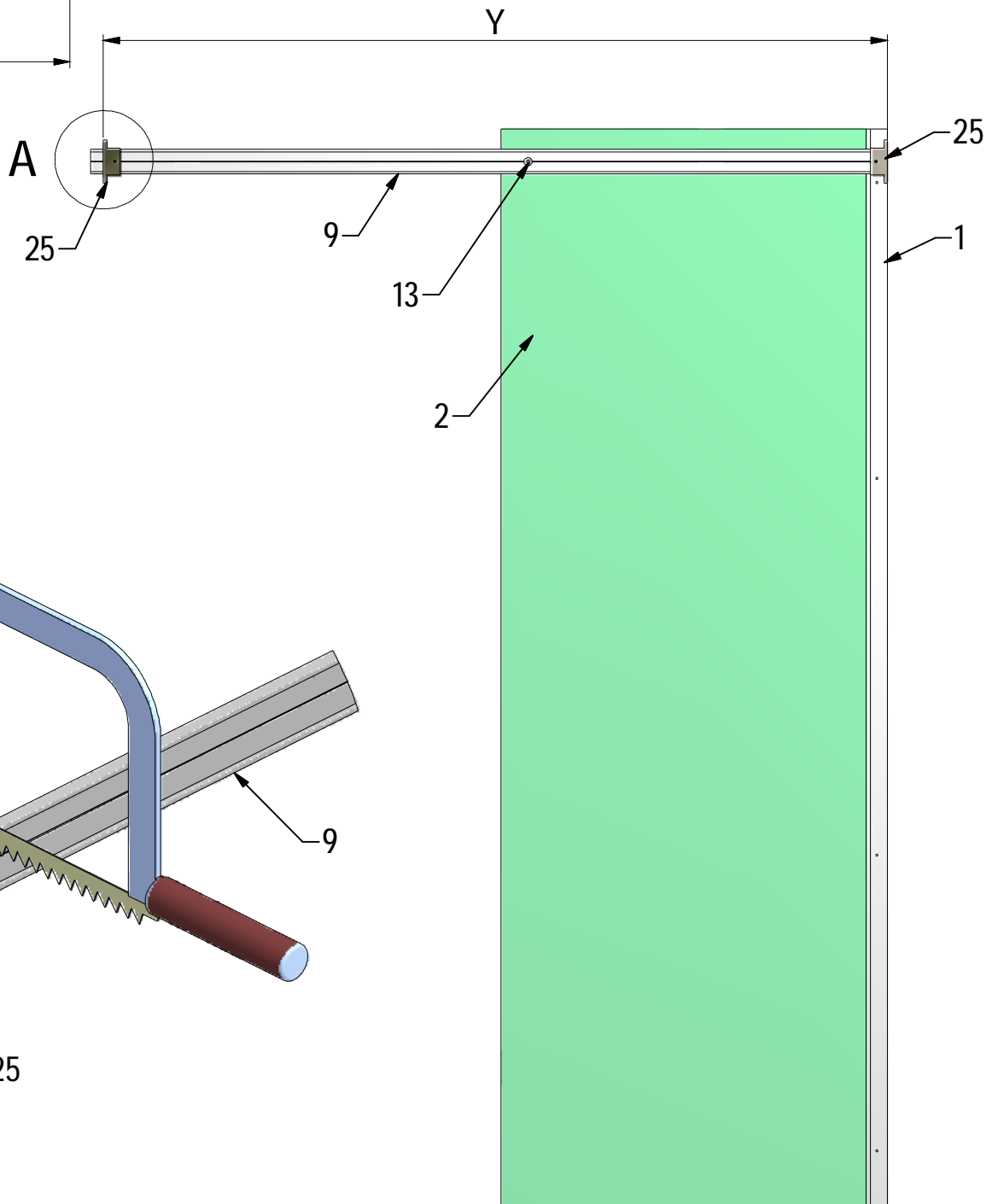
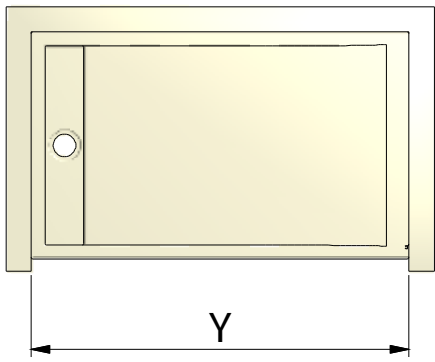
M1907

25. 2x
M9114

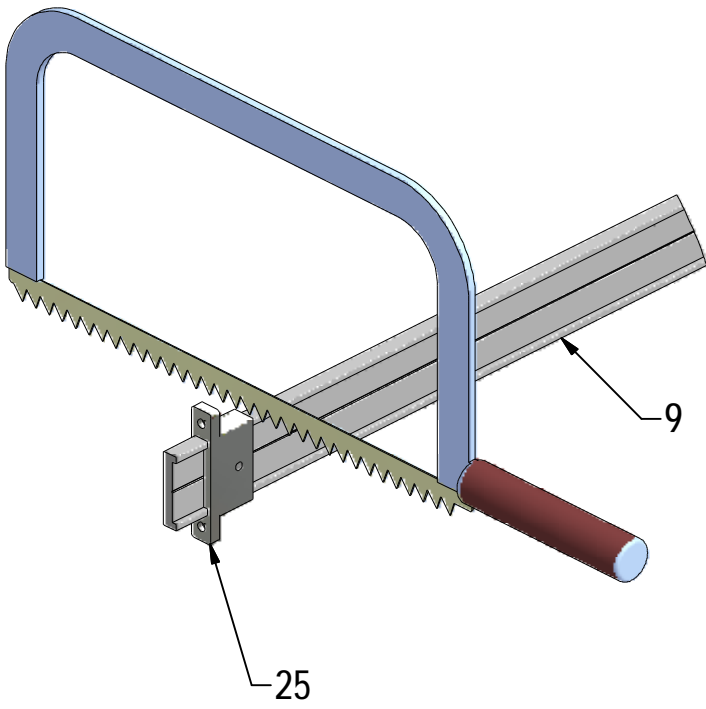


26. 1x
M9750
(AMB+AMD2+AMB)

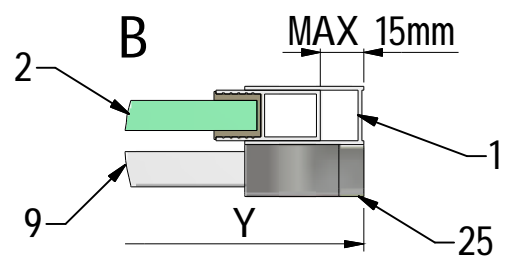
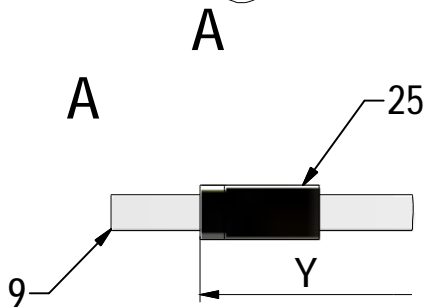
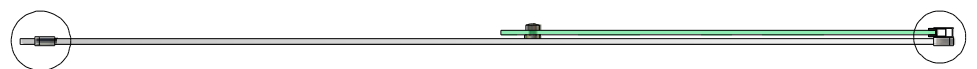


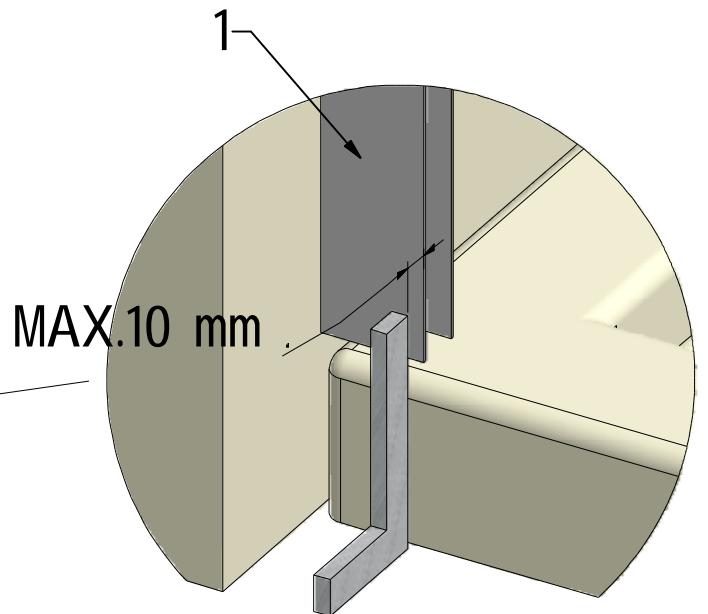
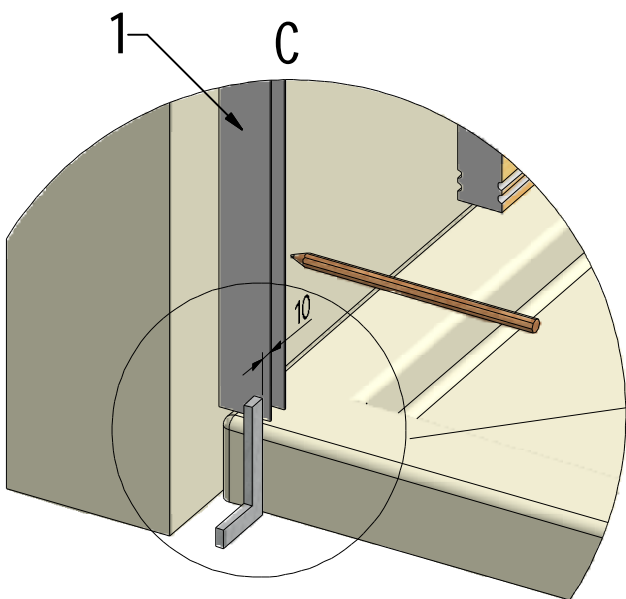
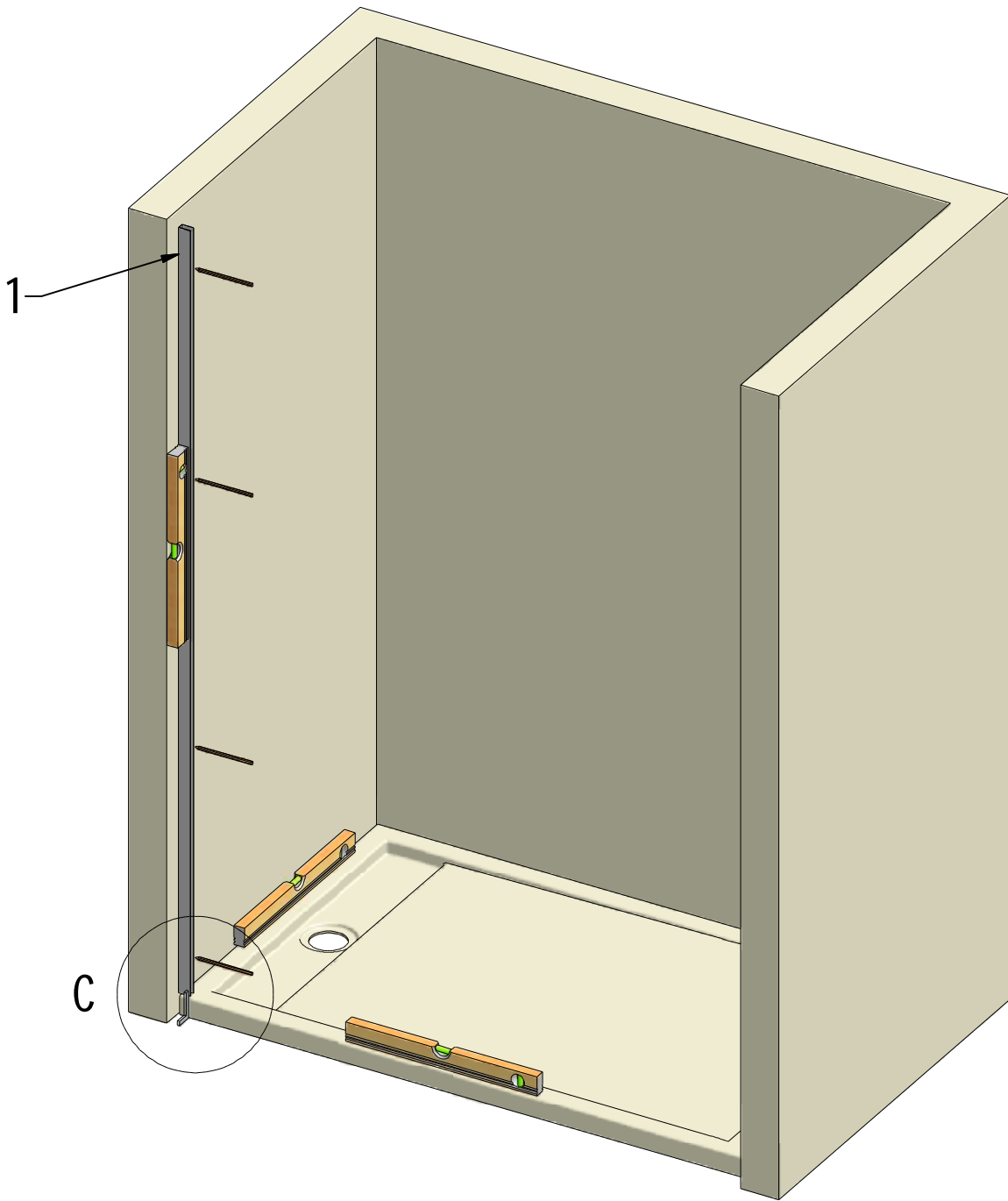


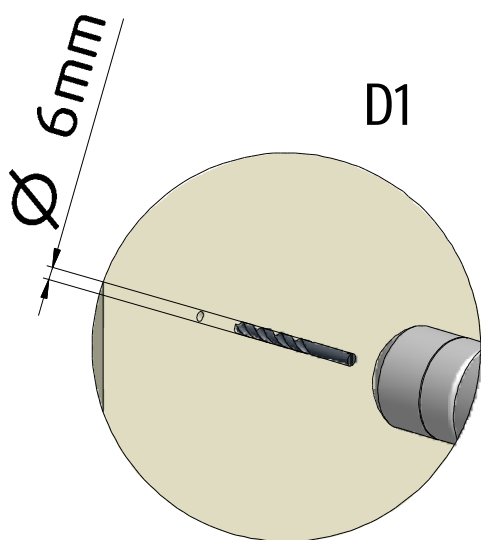
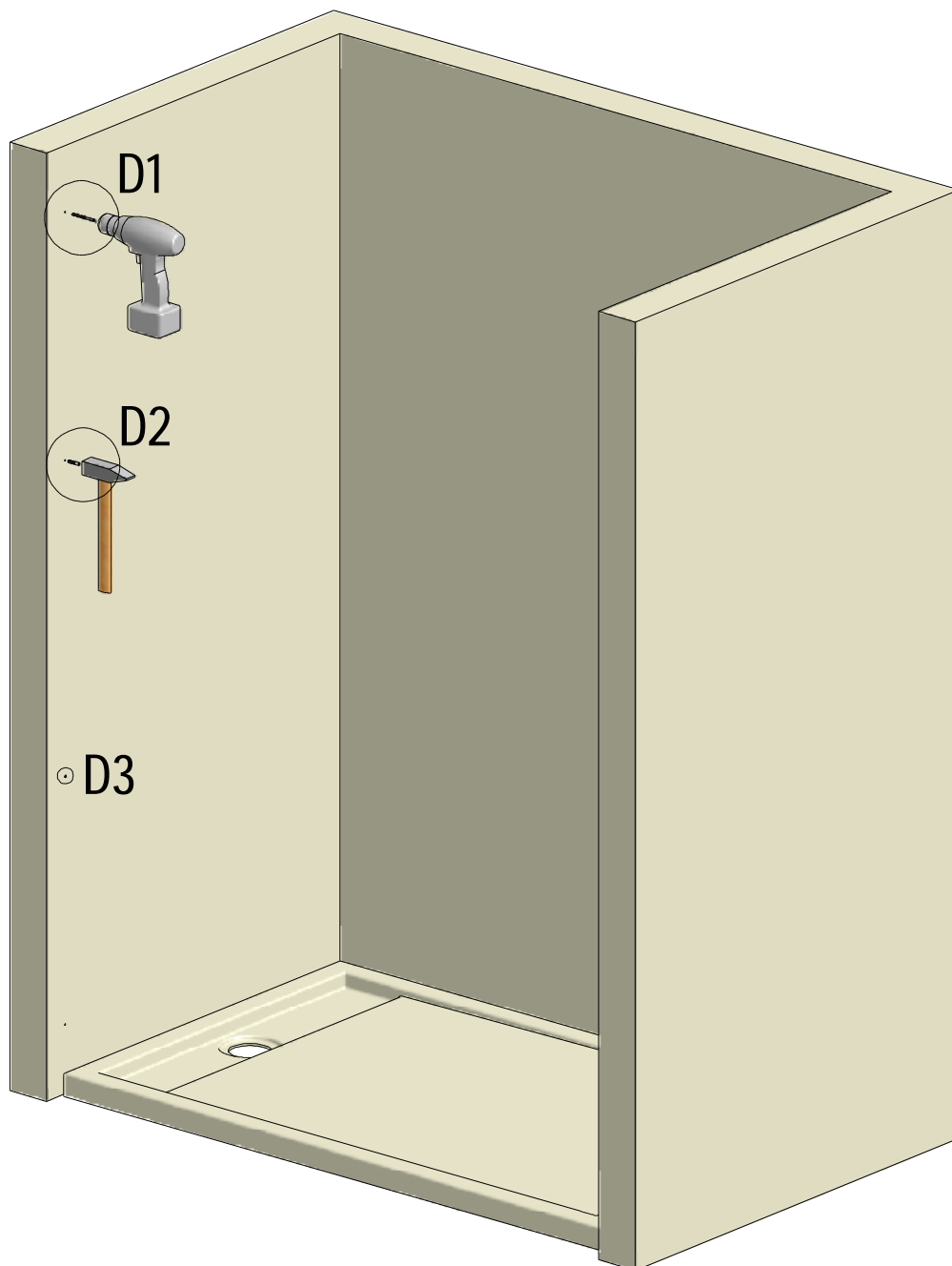
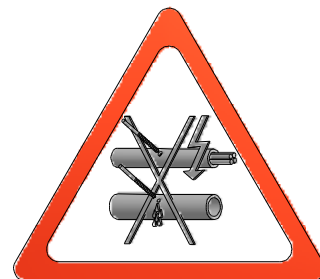
A



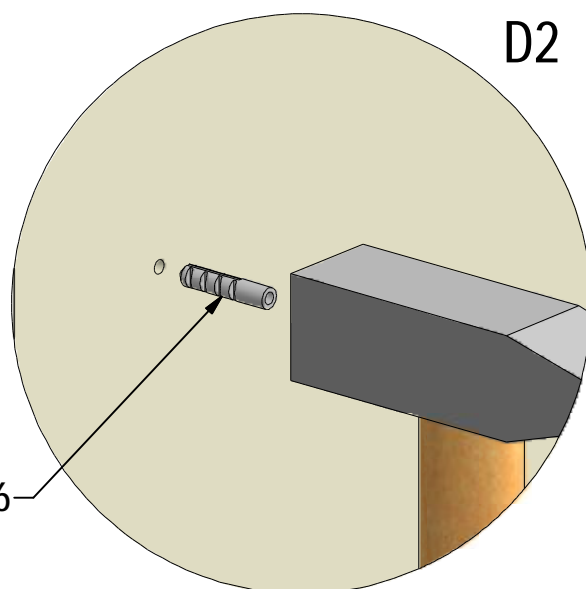
B





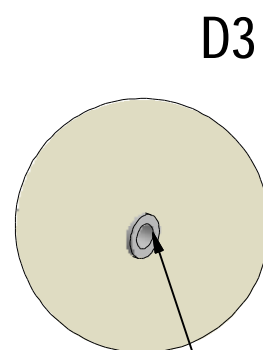


D1



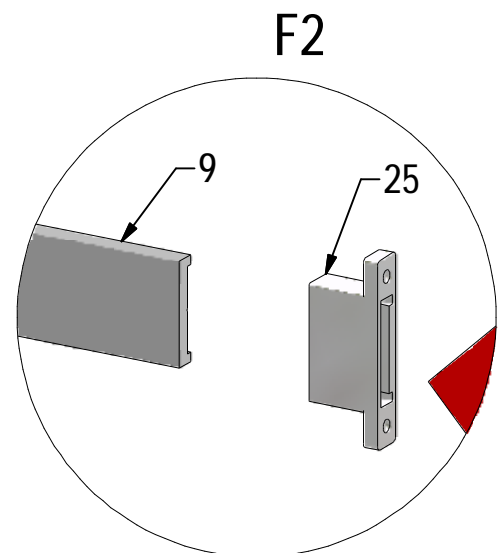
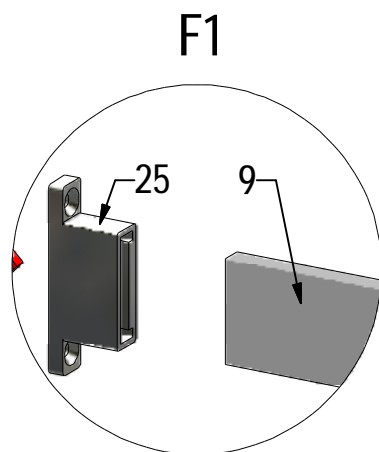
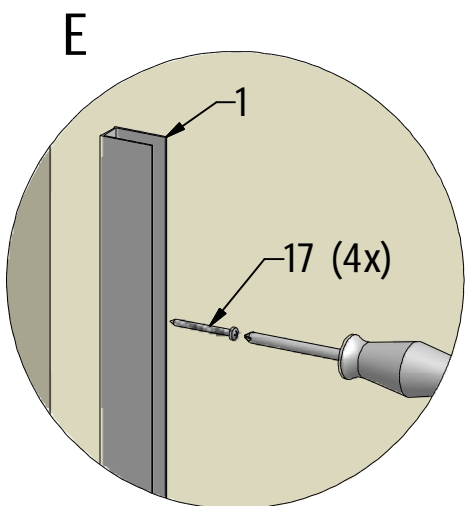
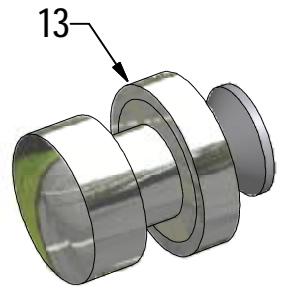
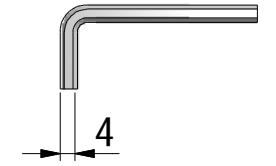
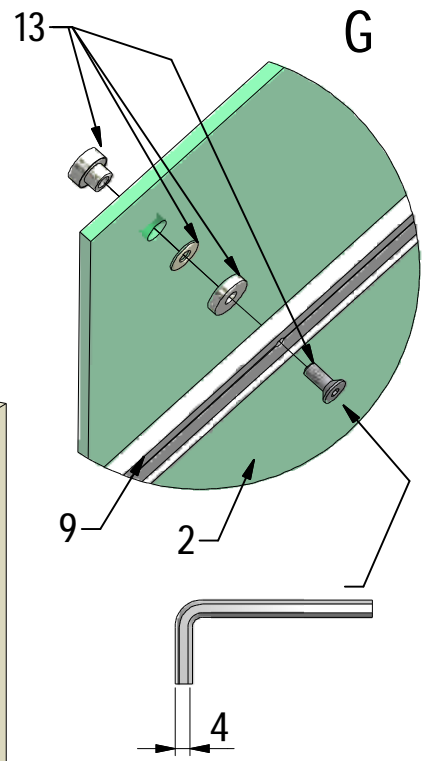
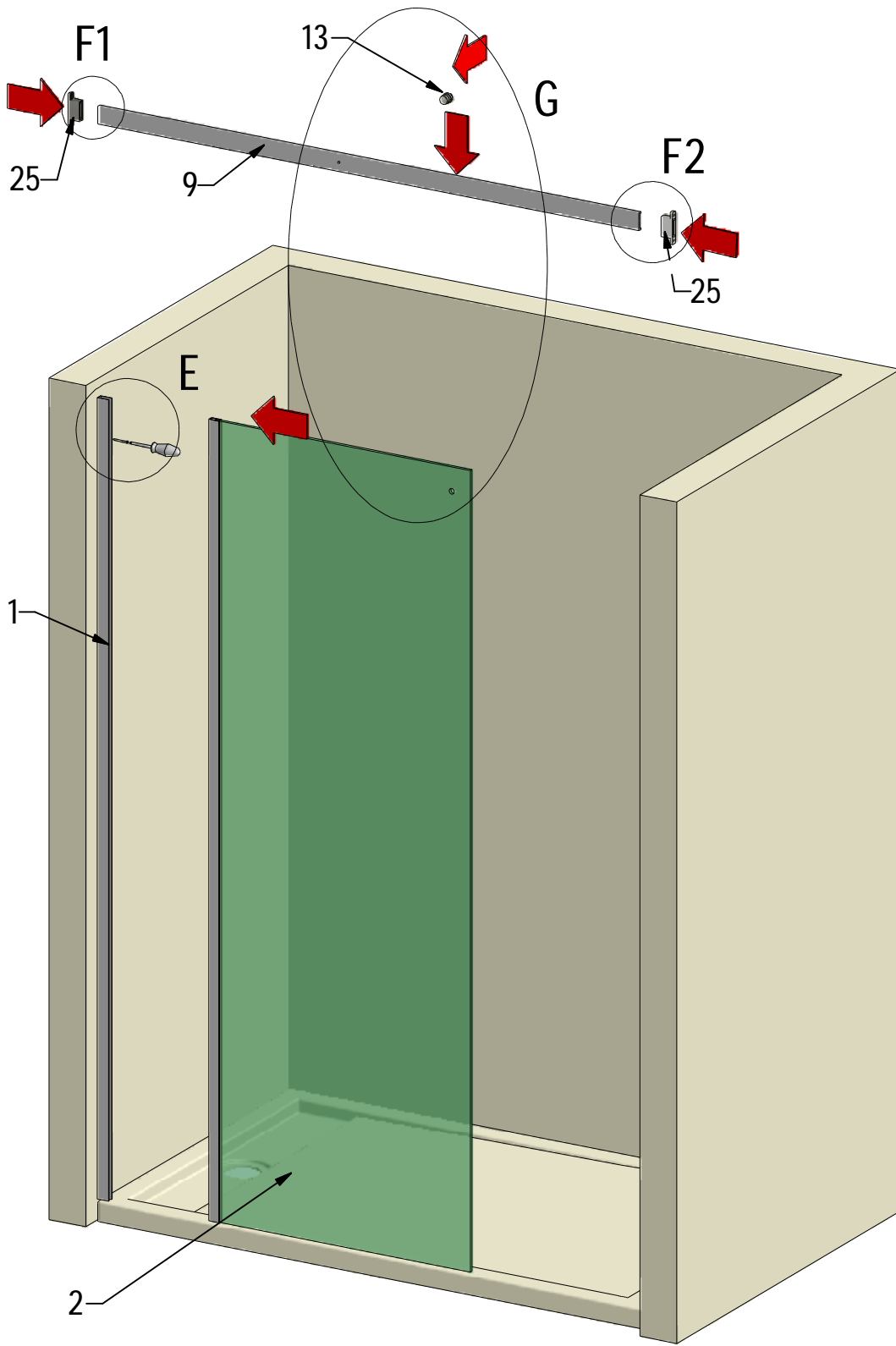
D2

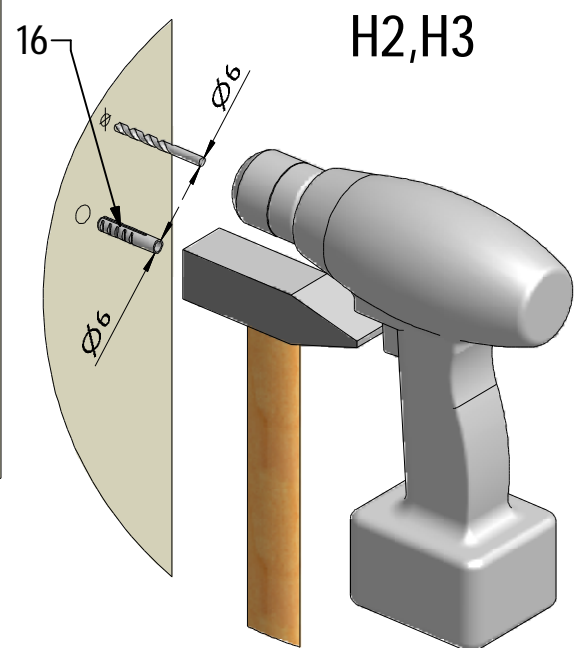
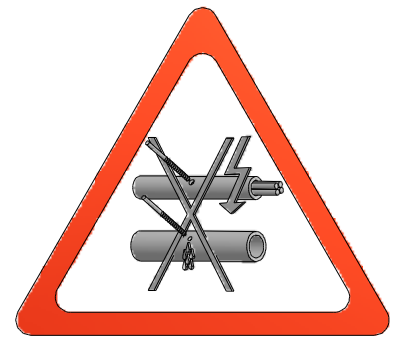
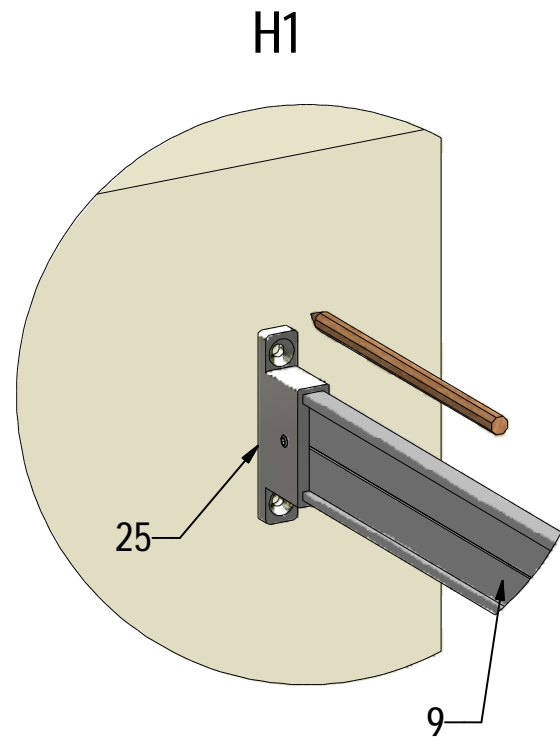
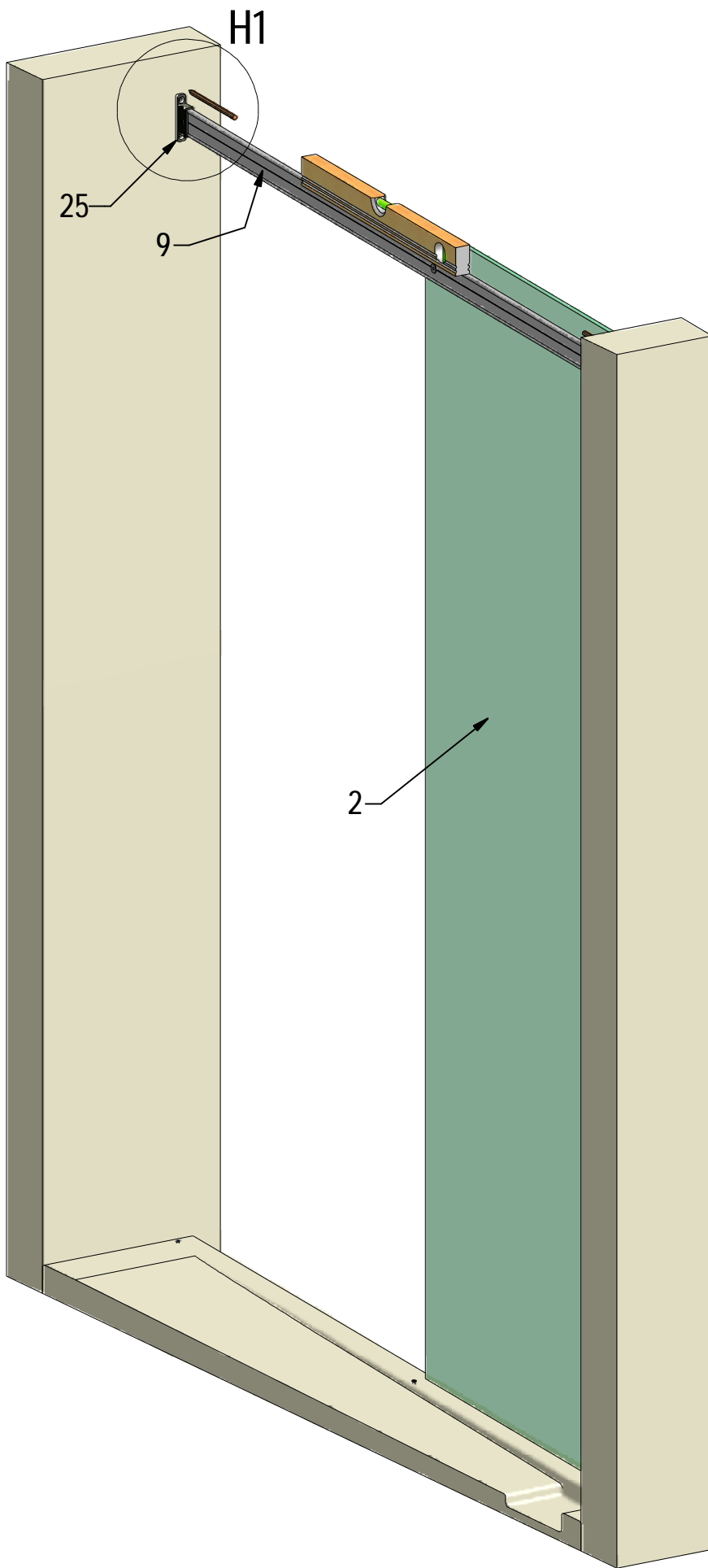
16

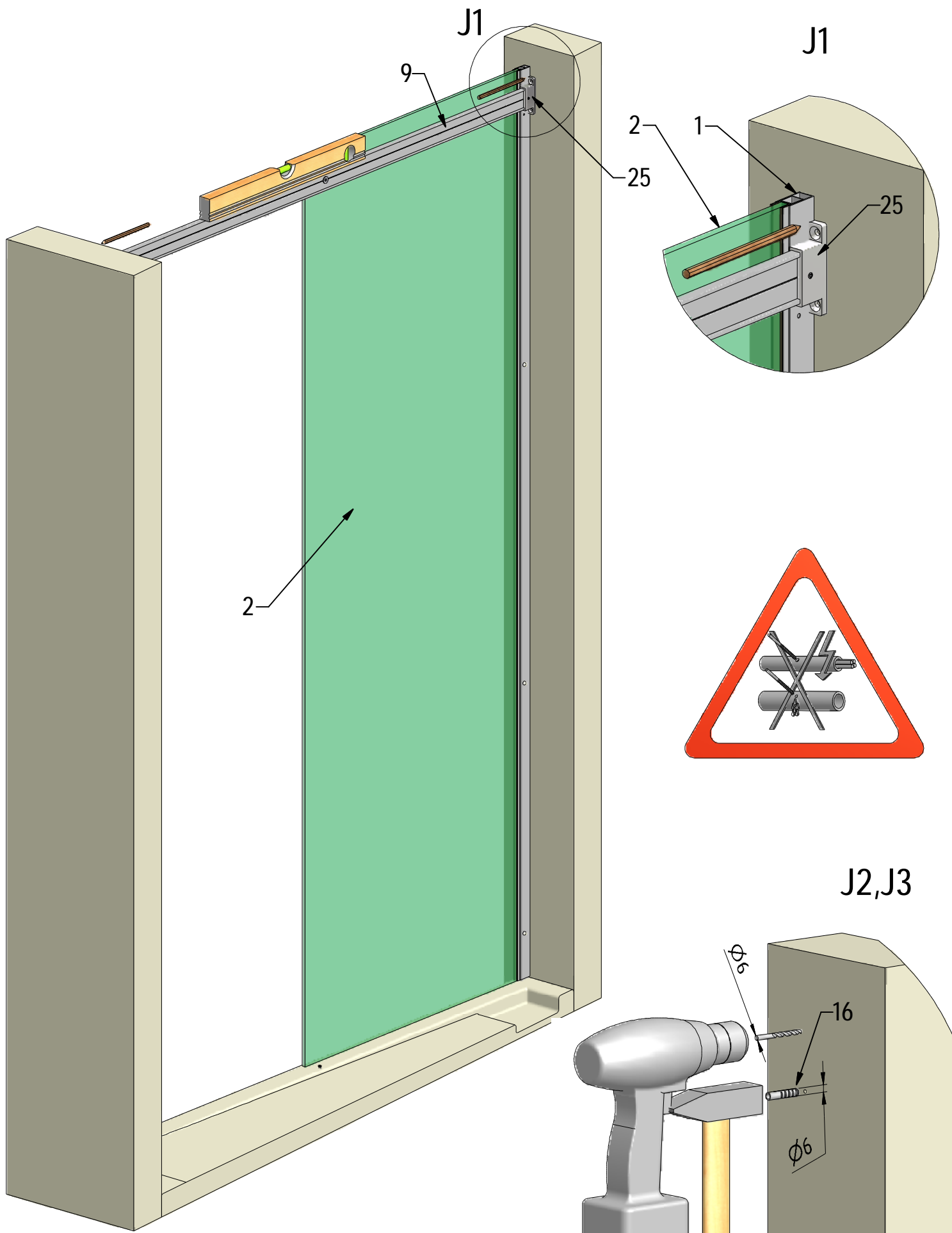


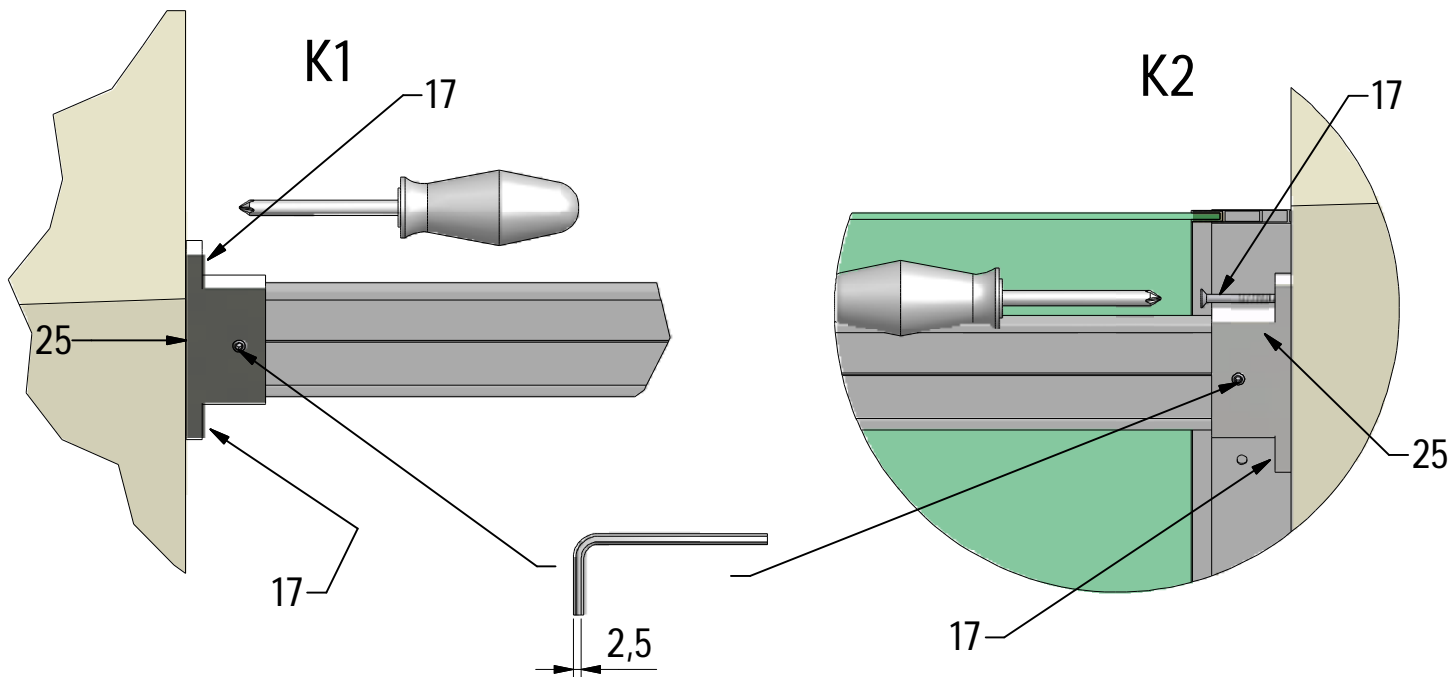
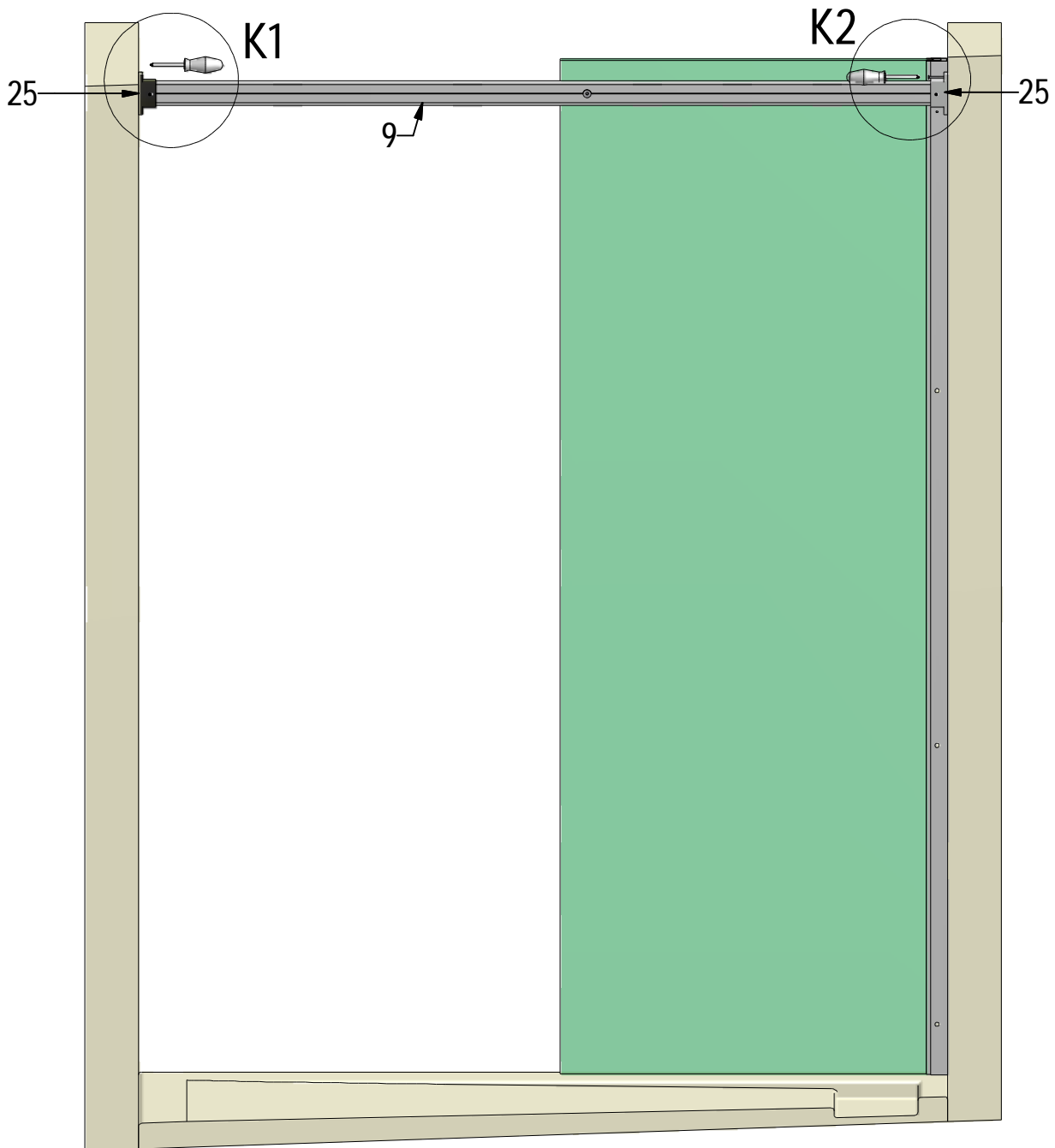
D3

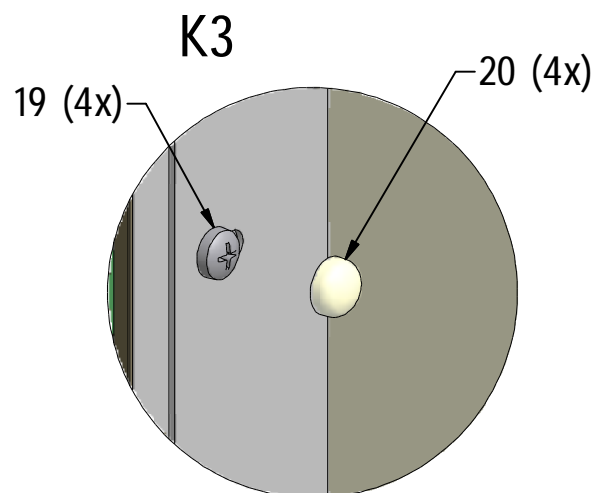
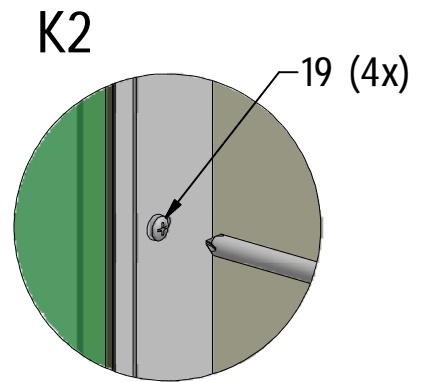
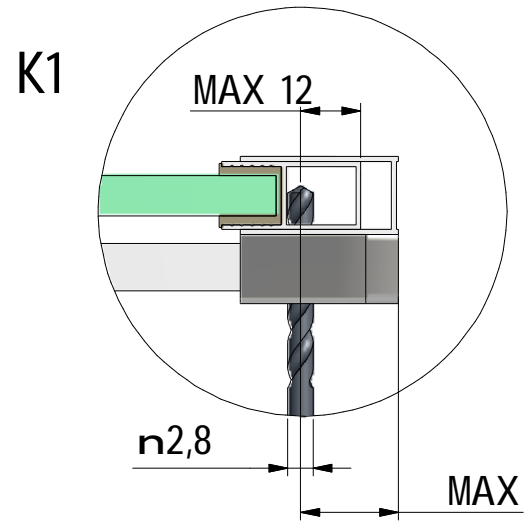
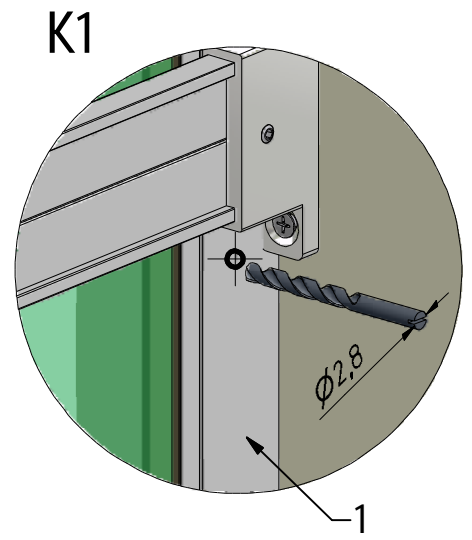
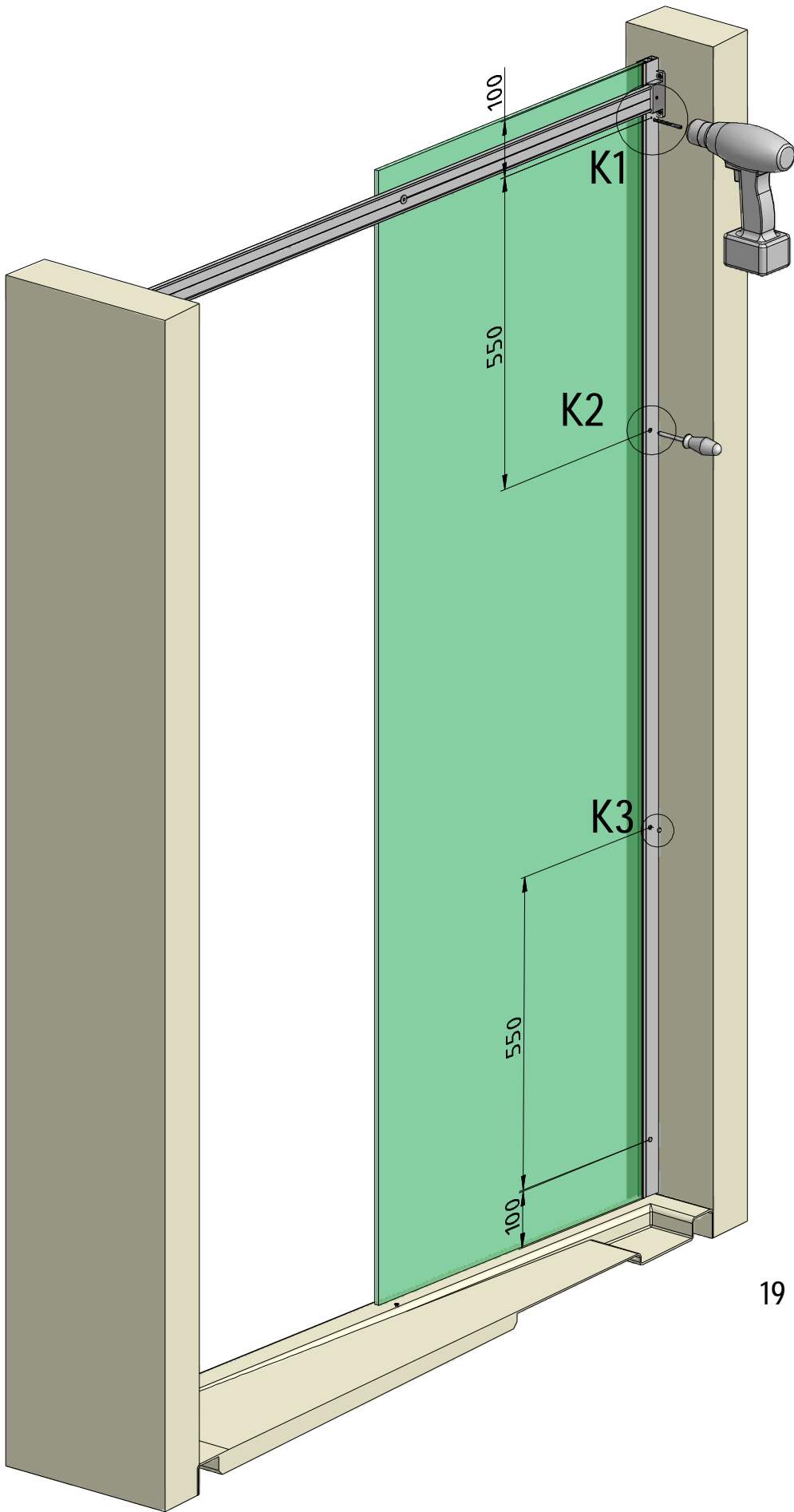
16 (4x)

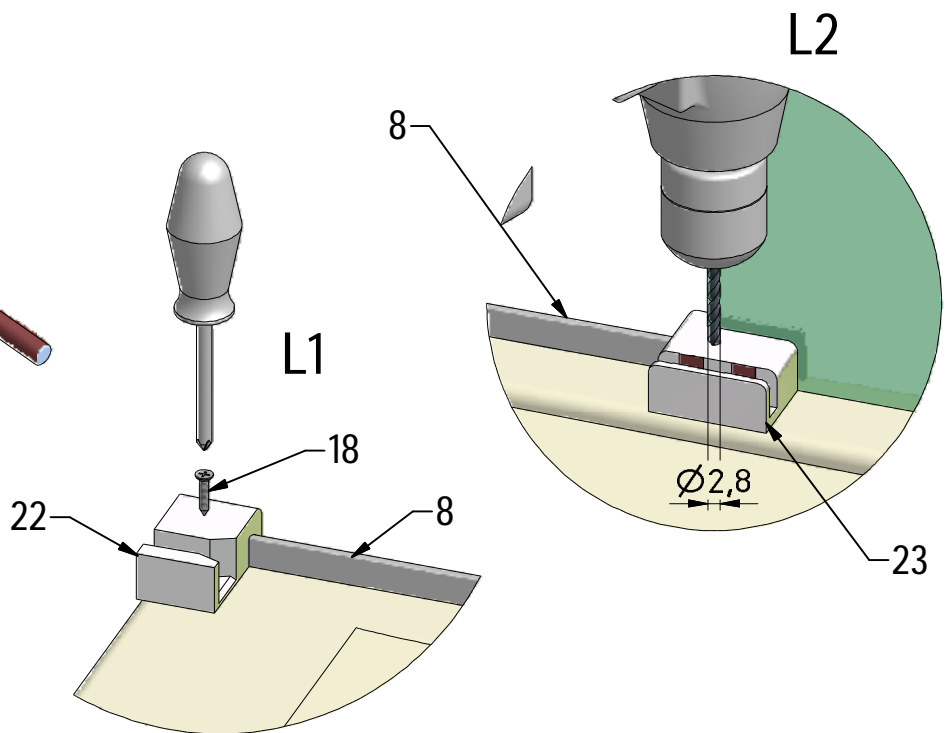
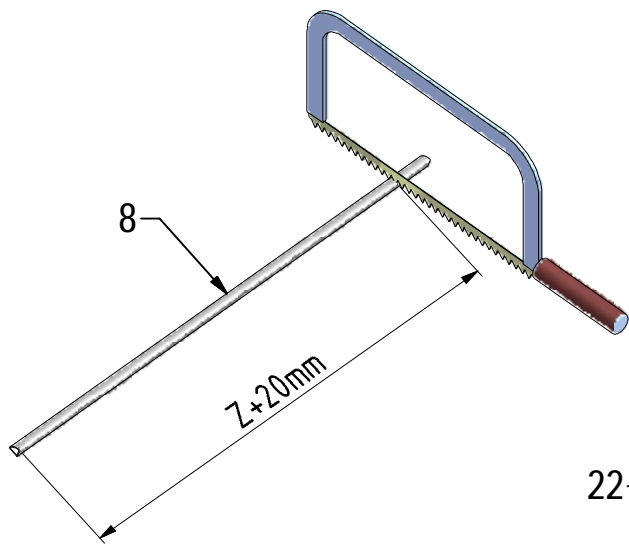
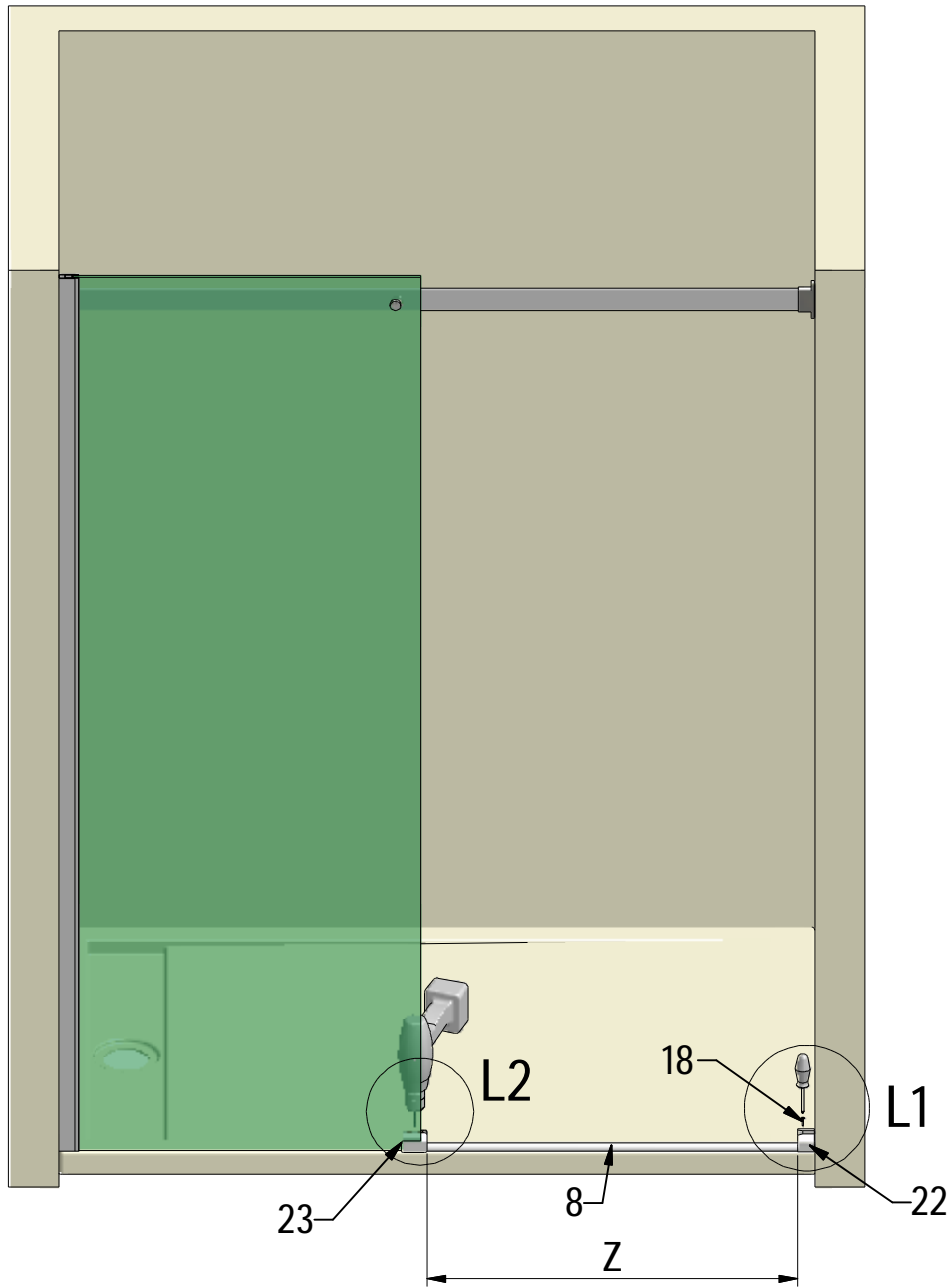


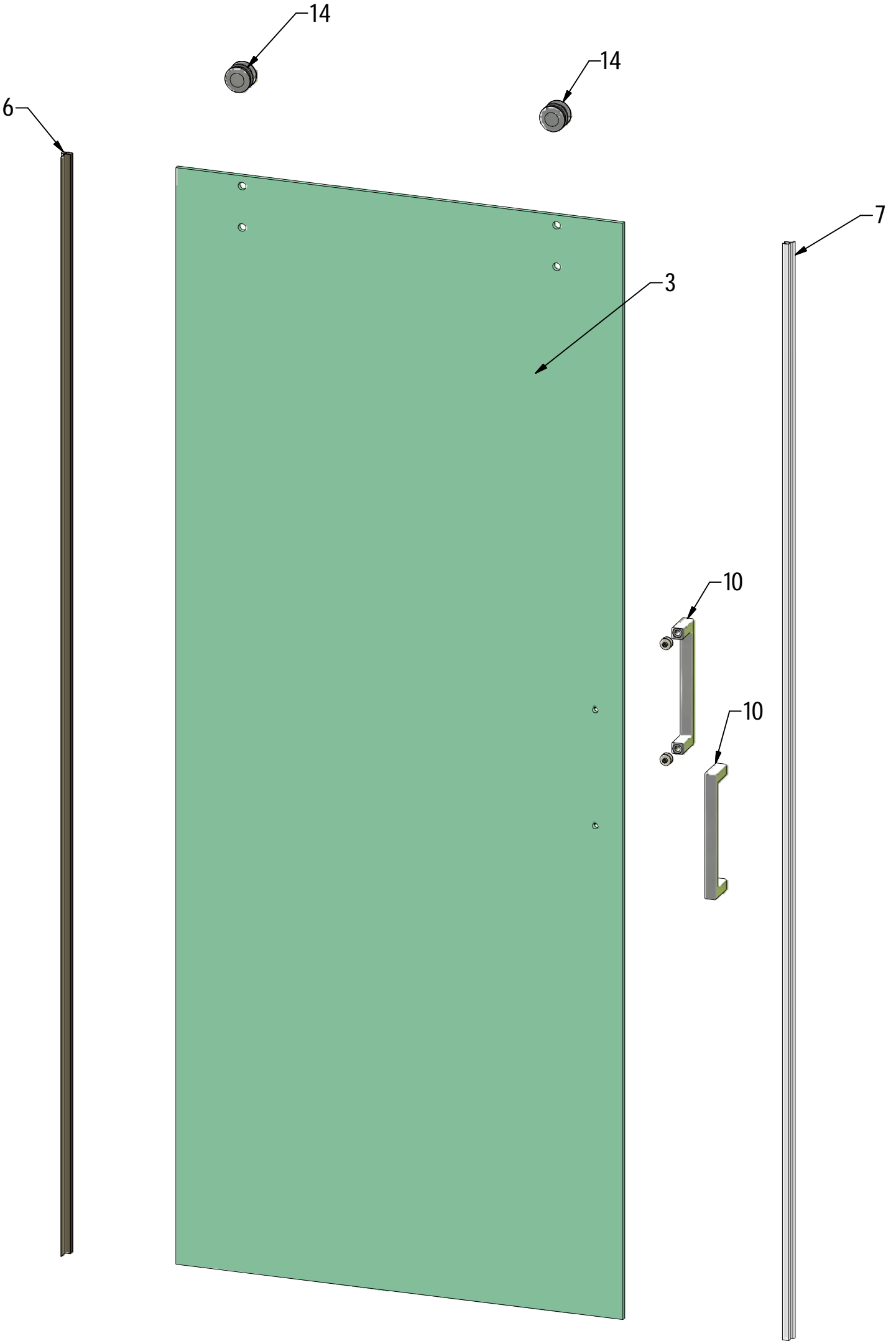


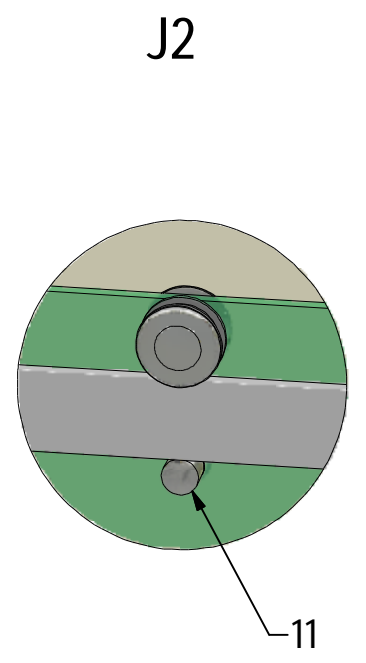
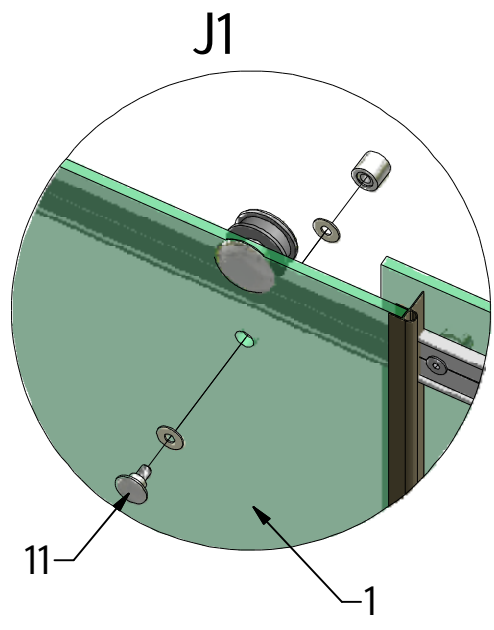
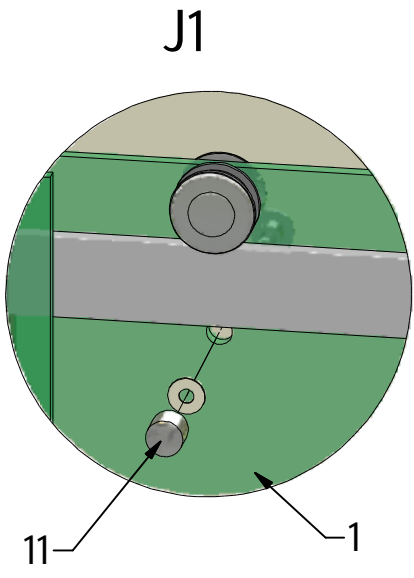






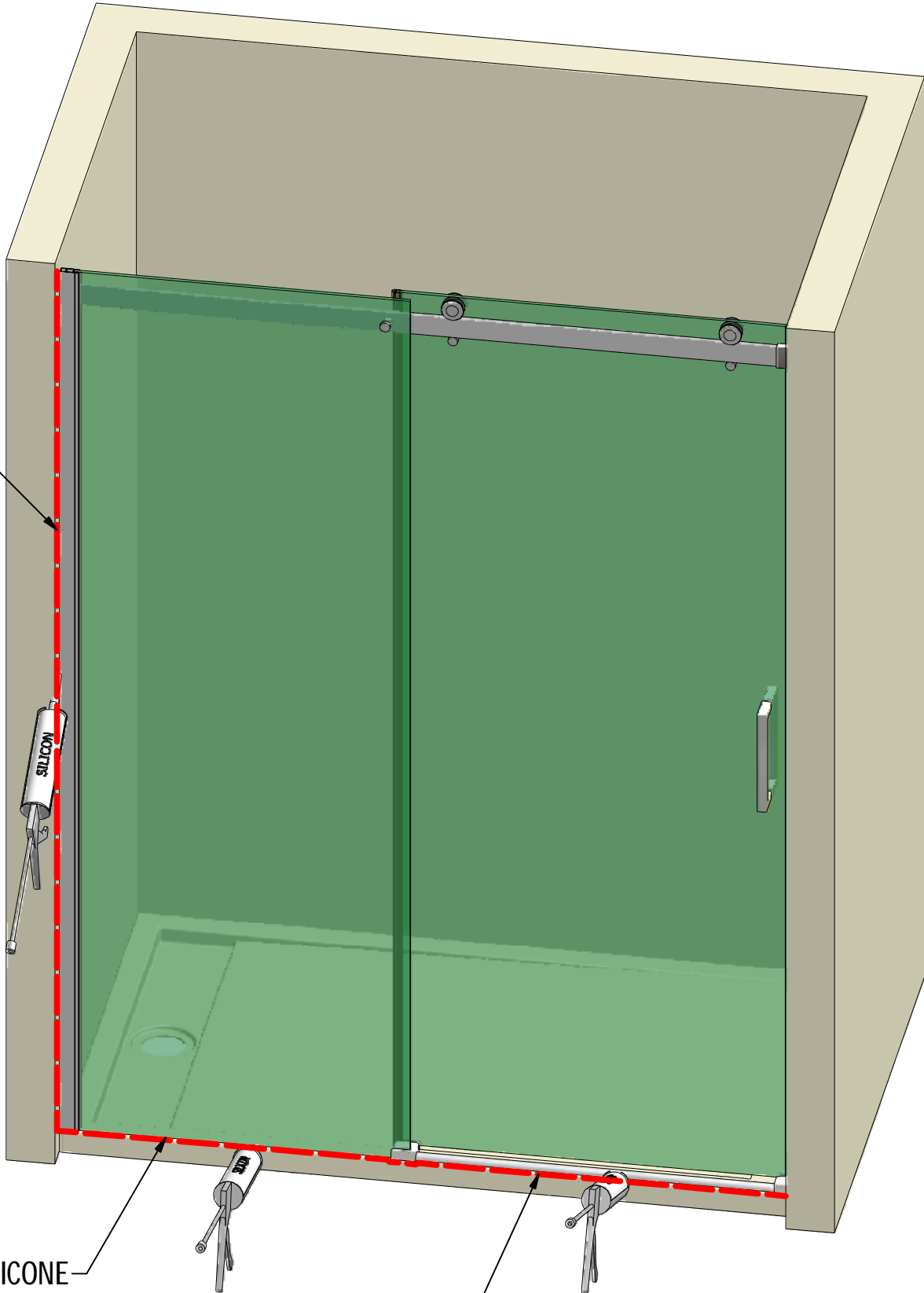








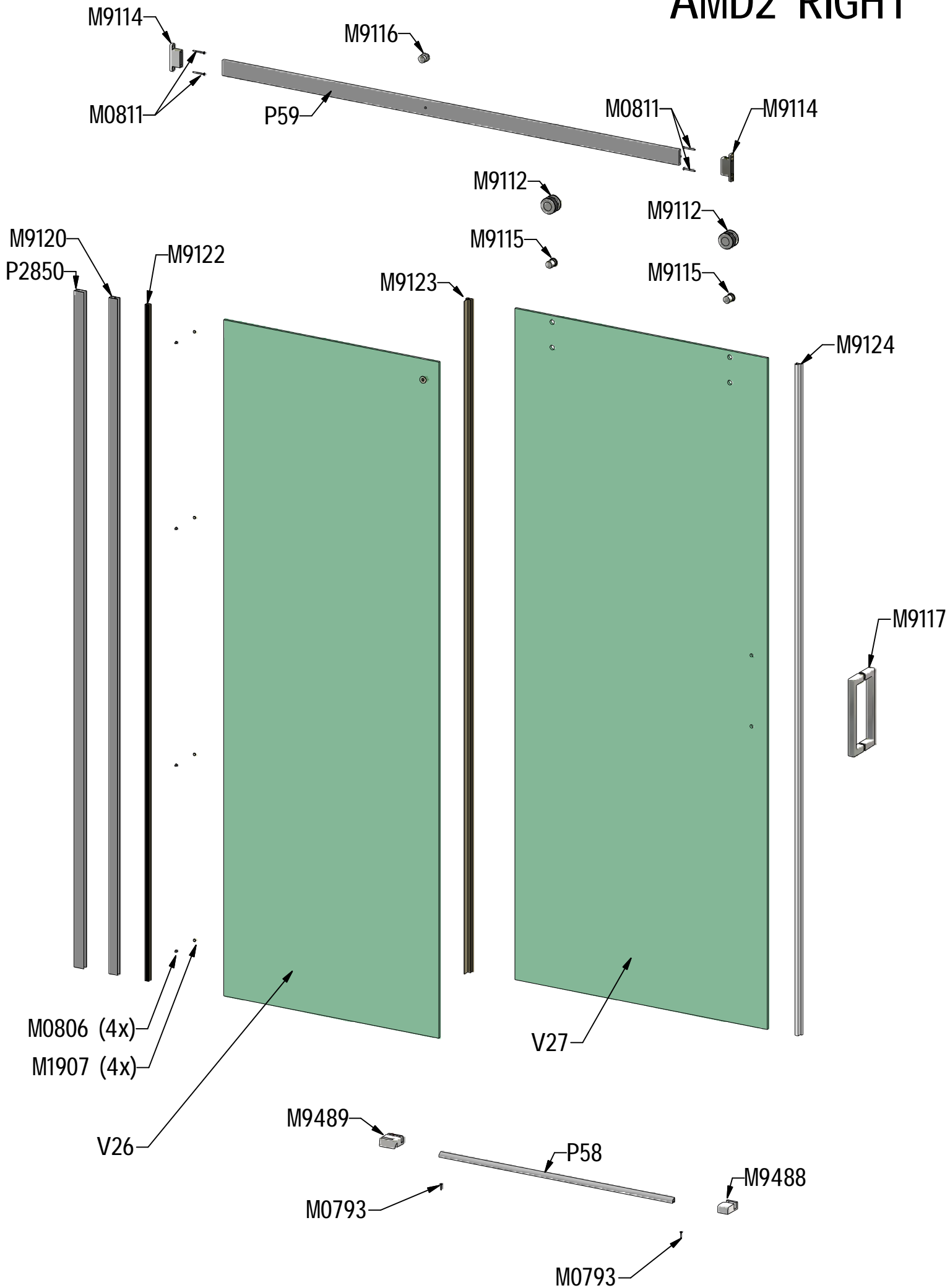
SILICONE



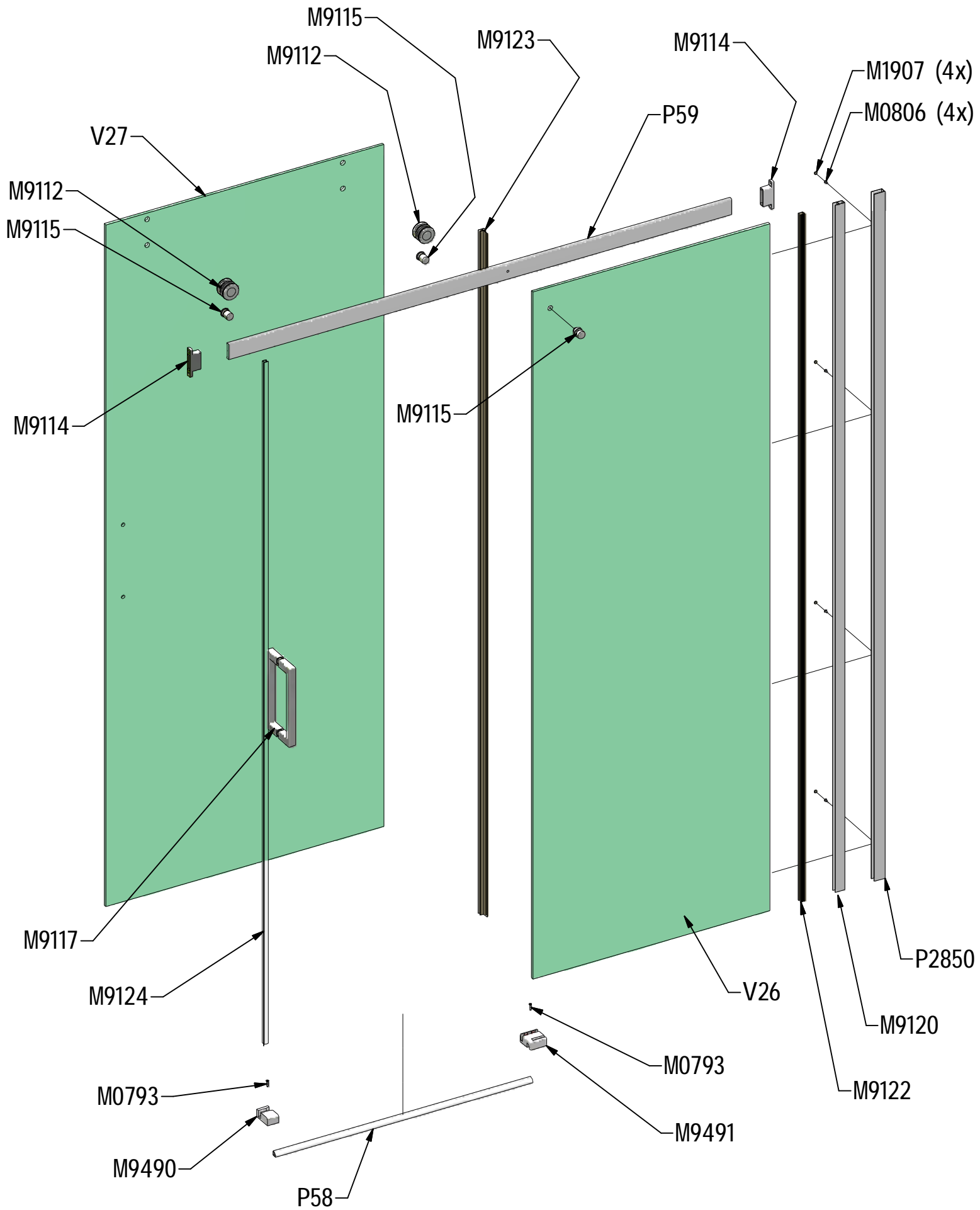
SILICONE

SILICONE

AMD2 RIGHT



AMD2 LEFT



P58	1200		ND01-2344-12
	1300		ND01-2344-13
	1400		ND01-2344-14
	1500		ND01-2344-15
P59	1200		P2758
	1300		P2759
	1400		P2760
	1500		P2761

V26	1200	brillant+clear glass	ND03-0356-00-02
	1300	brillant+clear glass	ND03-0357-00-02
1400	brillant+clear glass	ND03-0358-00-02	
1500	brillant+clear glass	ND03-0359-00-02	
V27	1200	brillant+clear glass	ND02-0526-00-02
	1300	brillant+clear glass	ND02-0527-00-02
1400	brillant+clear glass	ND02-0528-00-02	
1500	brillant+clear glass	ND02-0529-00-02	



**ROLTECHNIK a.s. / Třebov 160 / 569 33,
CZECH REPUBLIC**

10

EN 14428:2008+A1