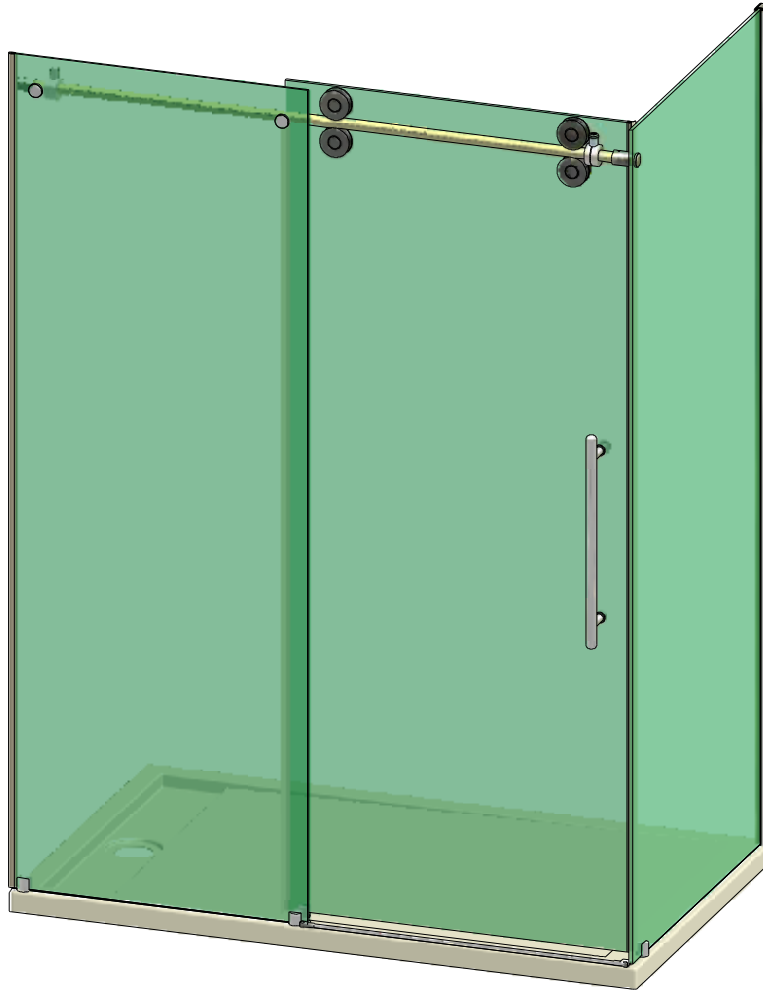
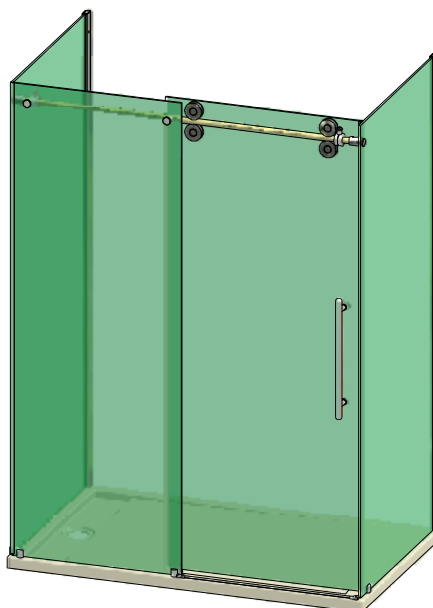


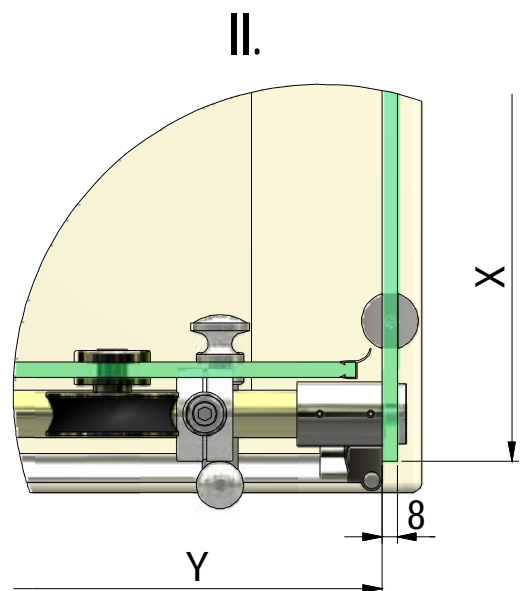
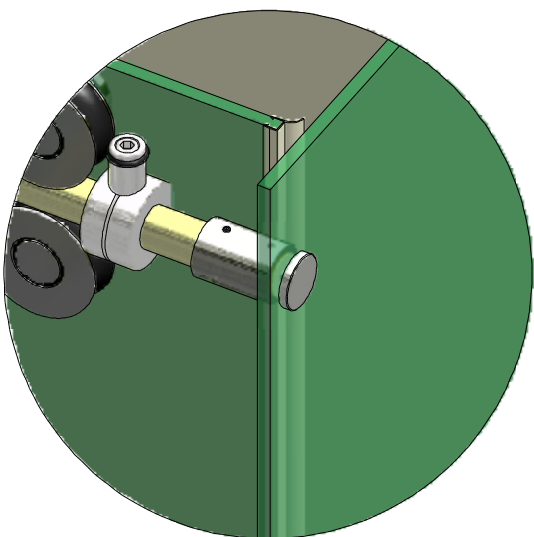
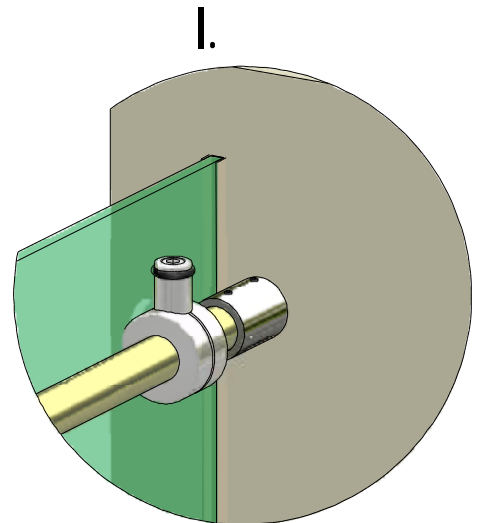
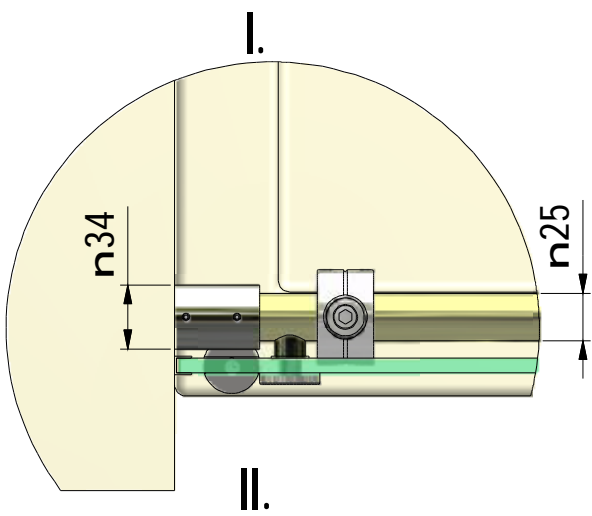
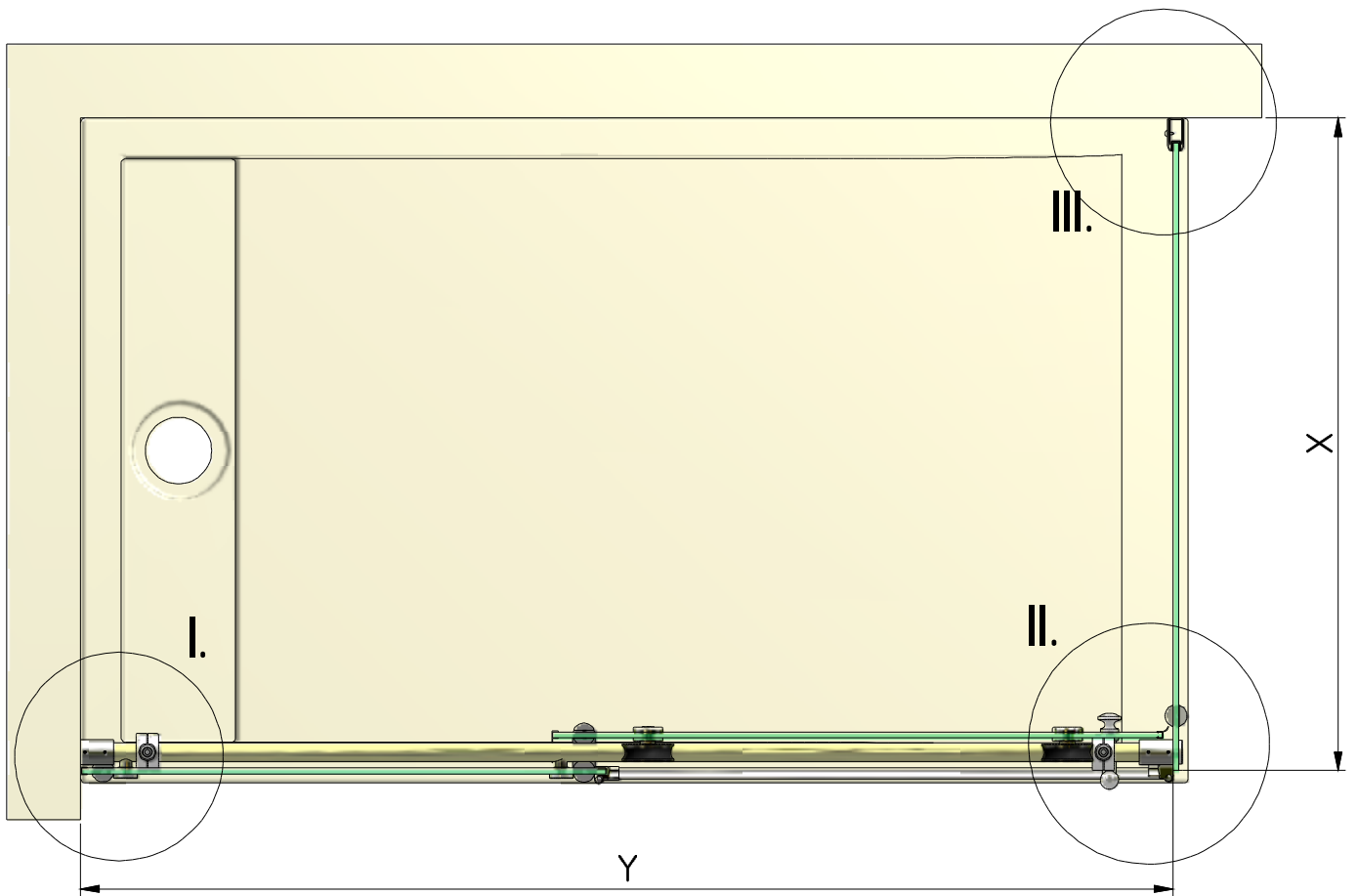
KIB + KID2



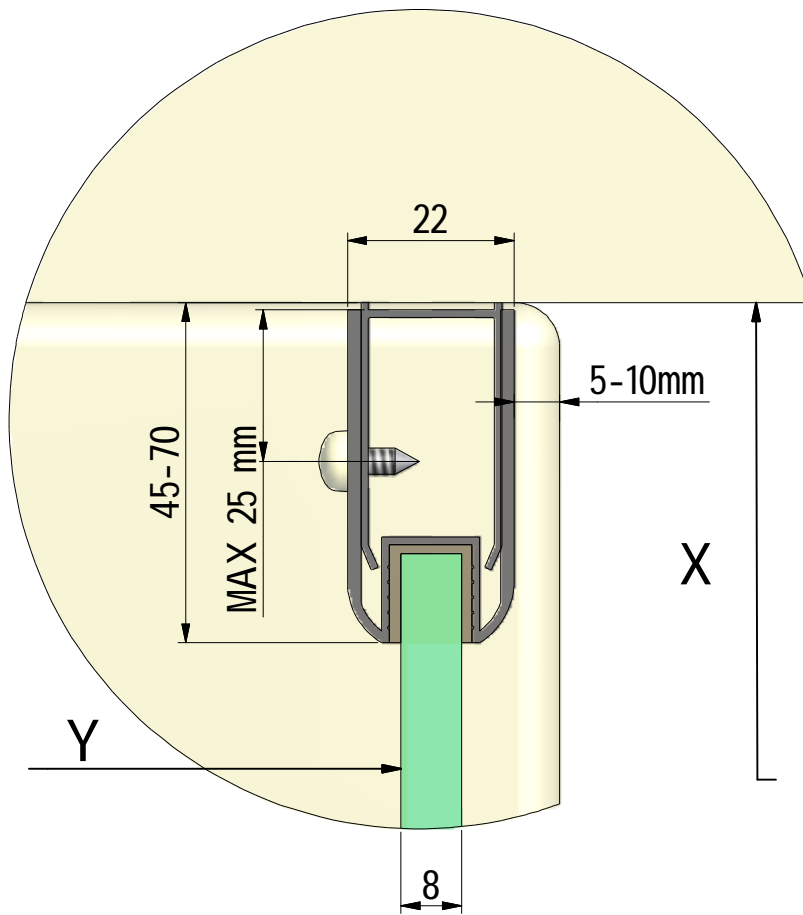
KIB + KID2 + KIB



KIB + KID2

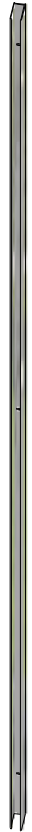


III.

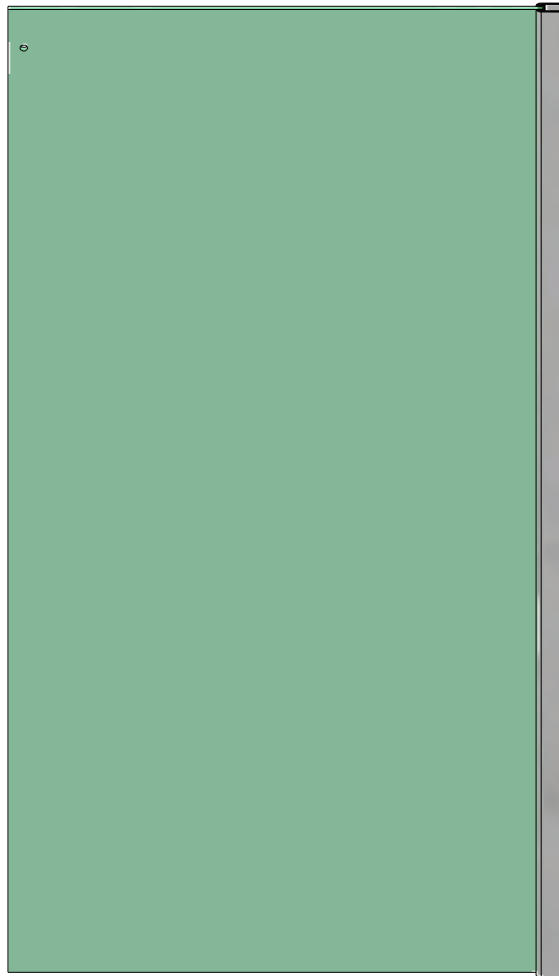


	KID2		KIB	
	Y(mm)		X(mm)	
	MIN	MAX	MIN	MAX
900	-	-	885	910
1000	-	-	985	1010
1300	1150	1310	-	-
1500	1300	1510	-	-
1800	1500	1810	-	-
2000	1800	2010	-	-

1. 1x
P2841



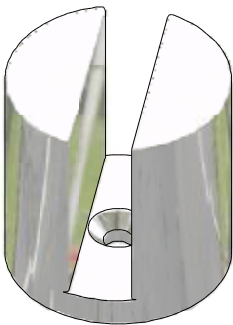
2. 1x



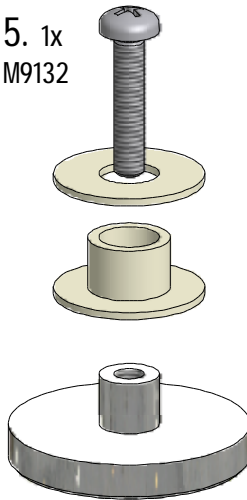
3. 1x
M9136



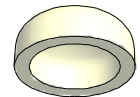
4. 1x
M9128



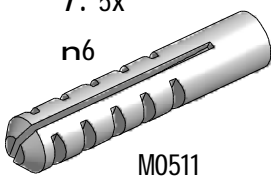
5. 1x
M9132



6. 3x
M1907

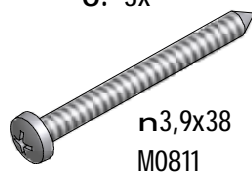


7. 5x
n6



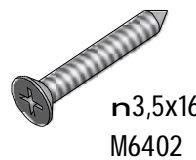
M0511

8. 3x



n3,9x38
M0811

9. 2x

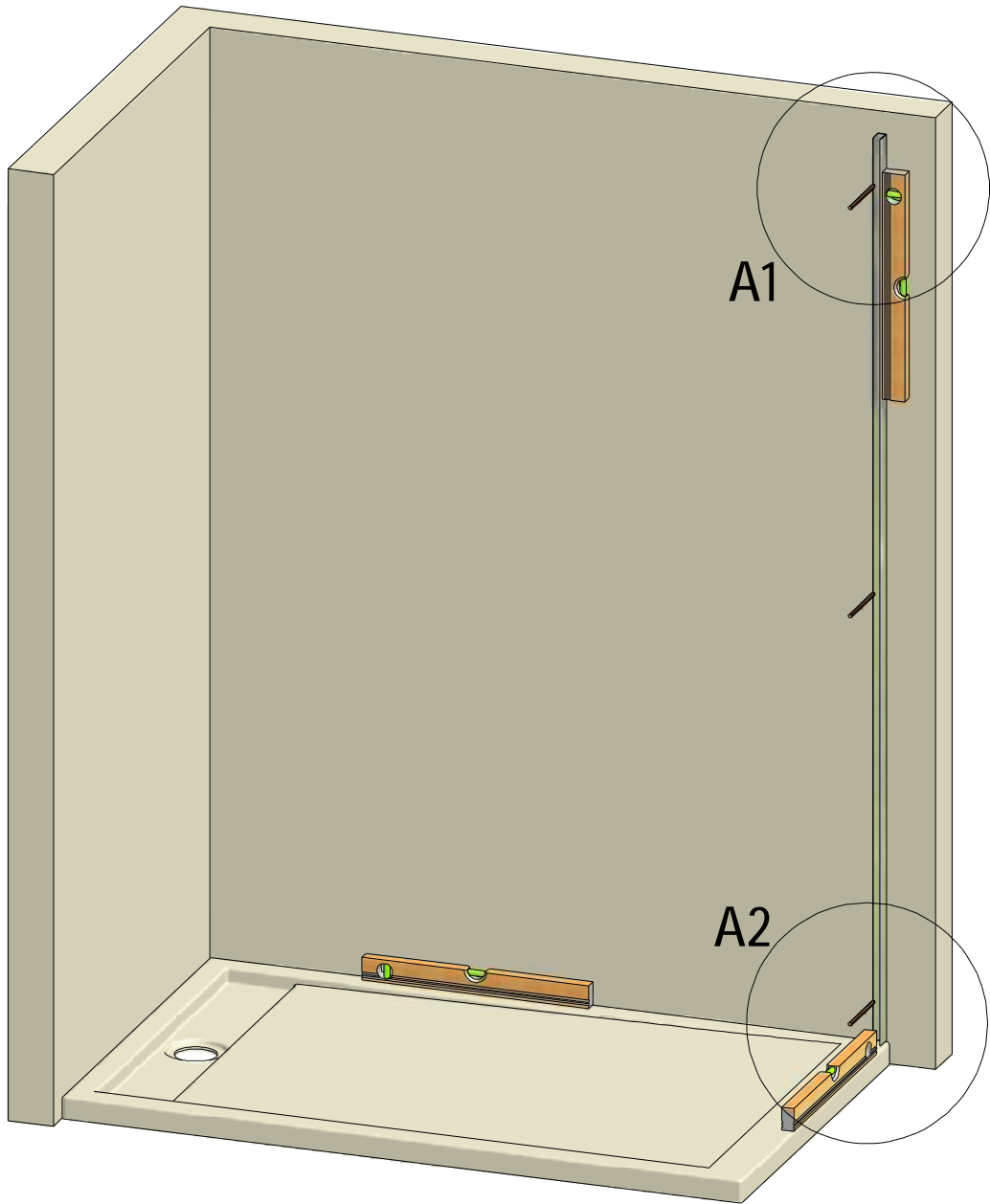


n3,5x16
M6402

10. 3x

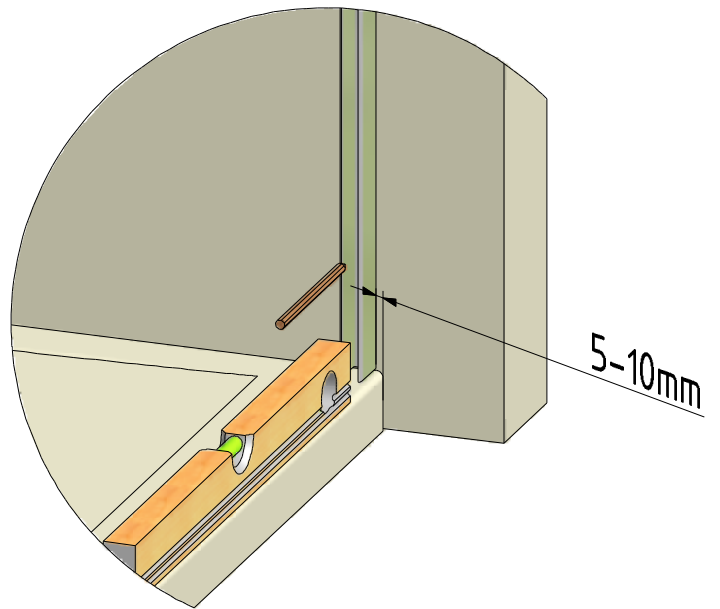
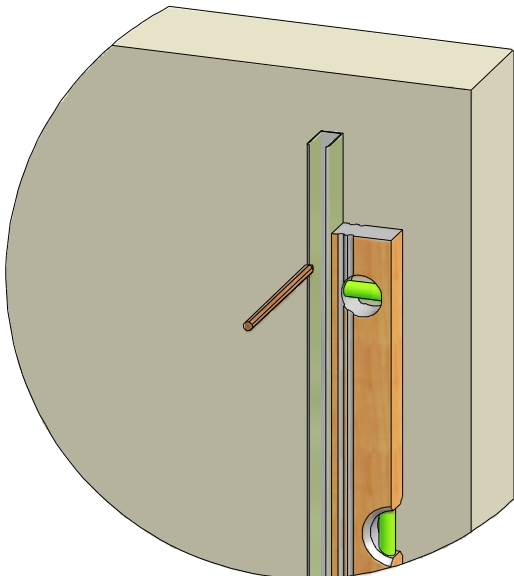


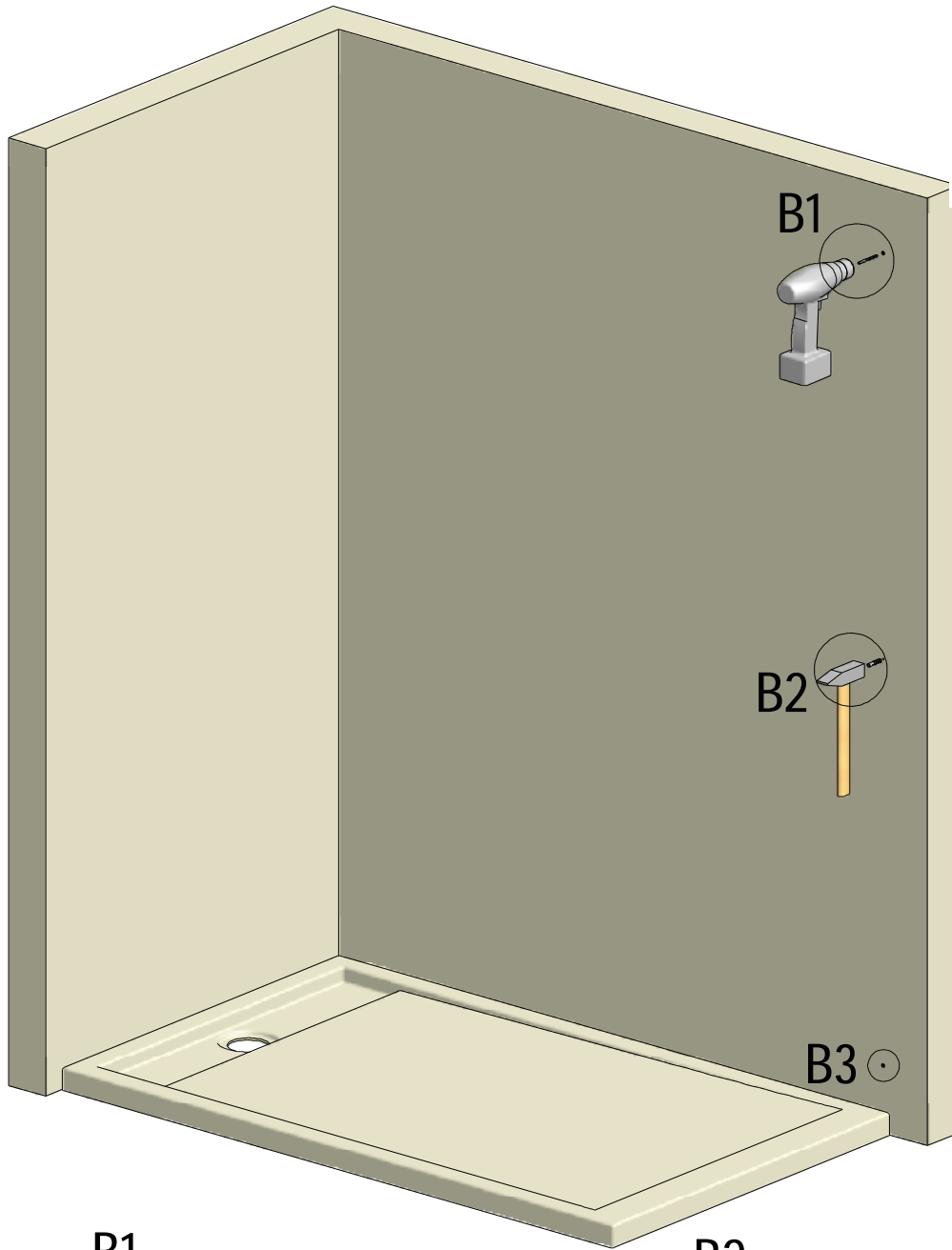
n3,5x9,5
M0806



A1

A2

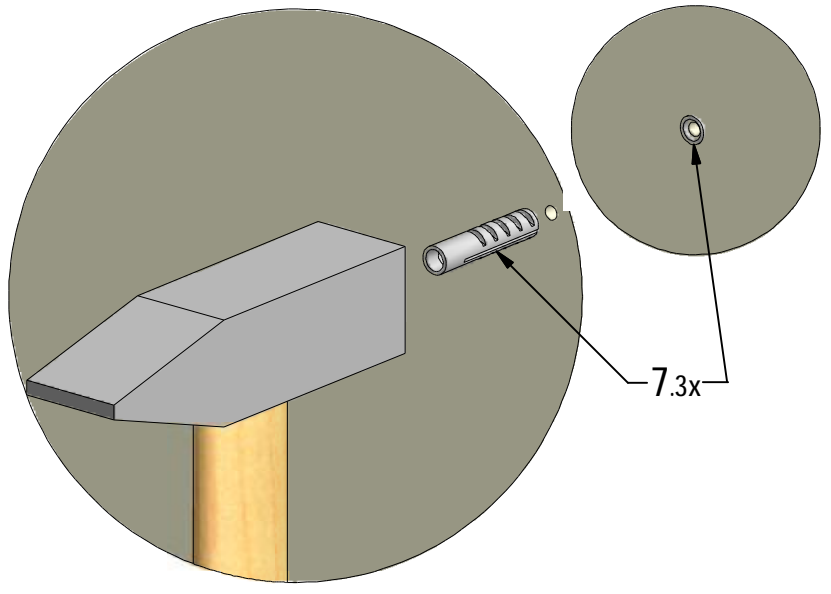
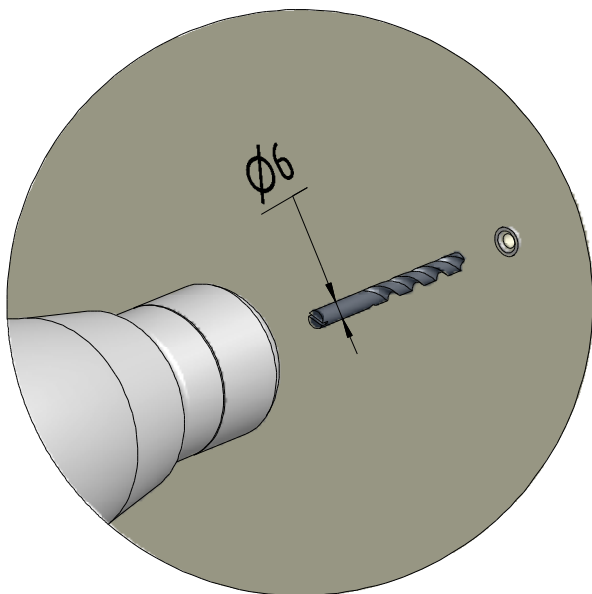


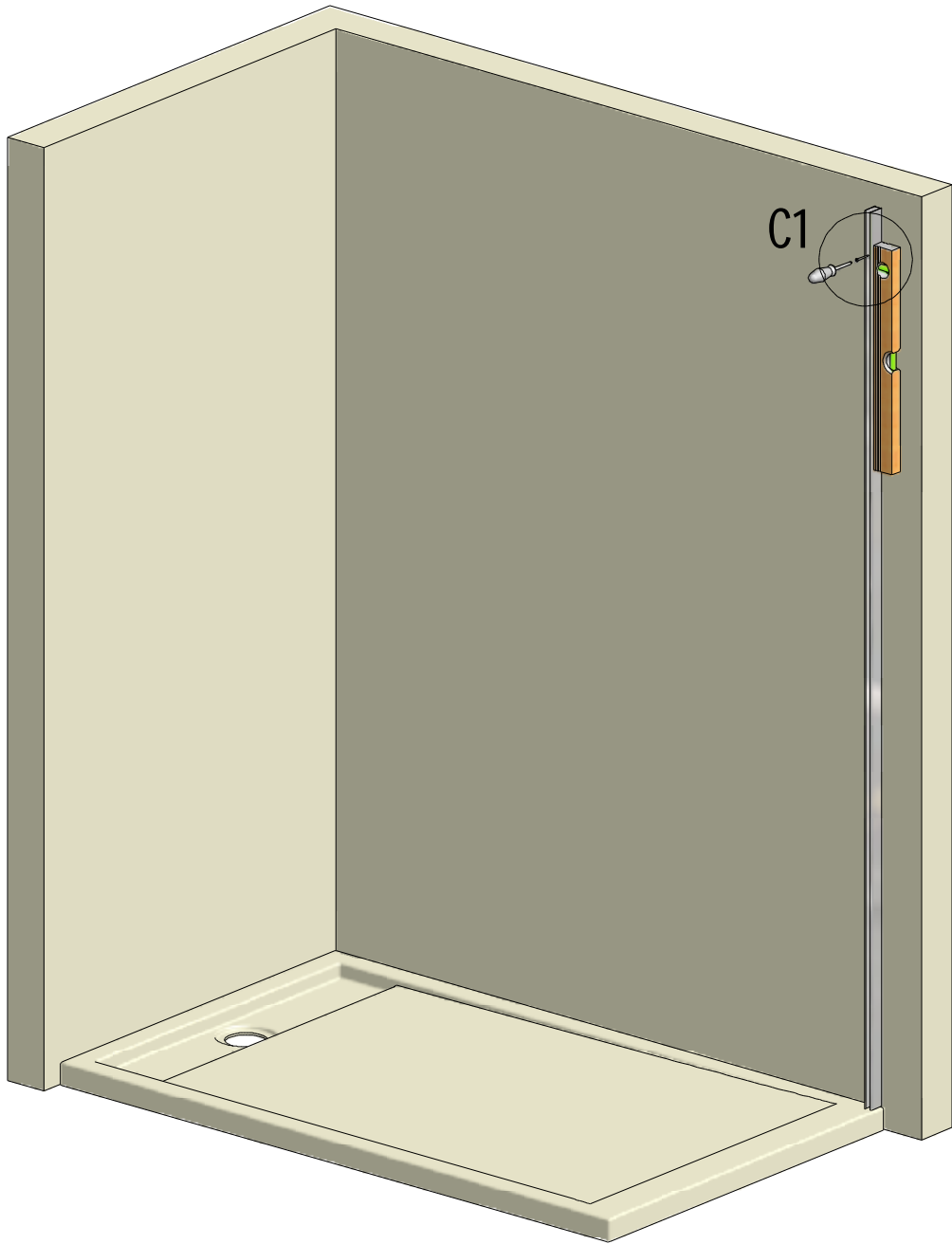


B1

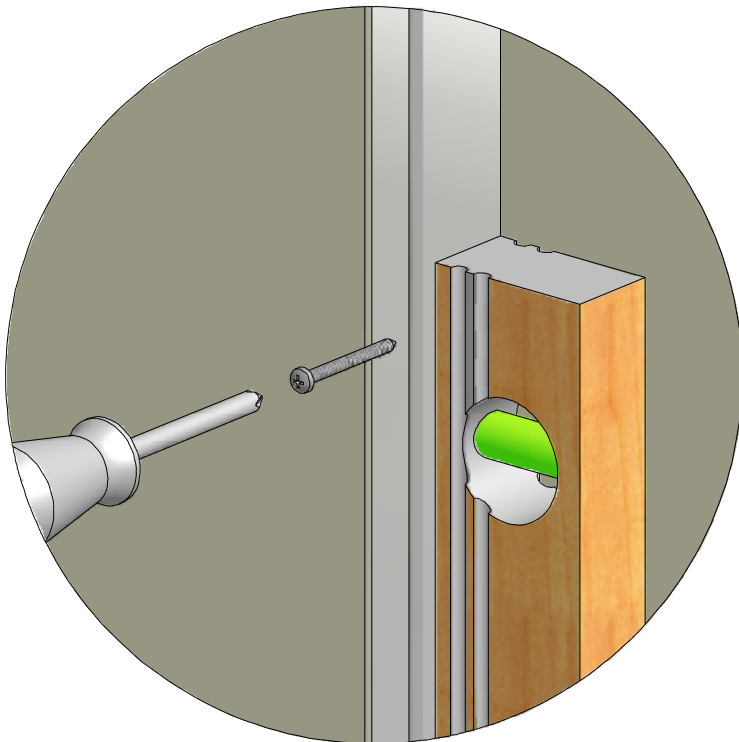
B2

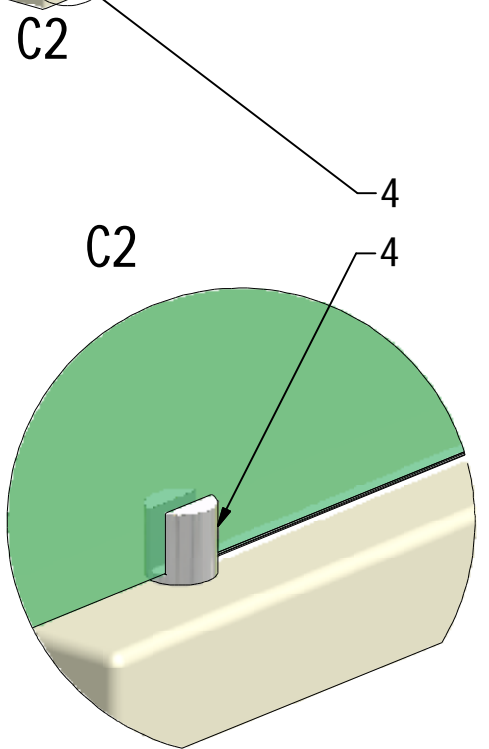
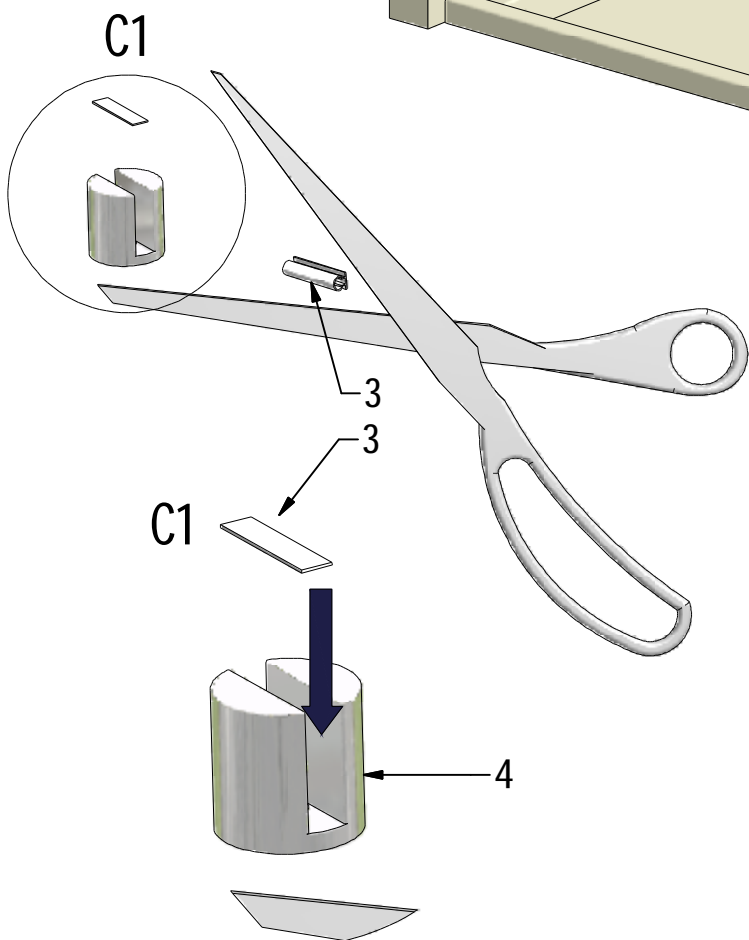
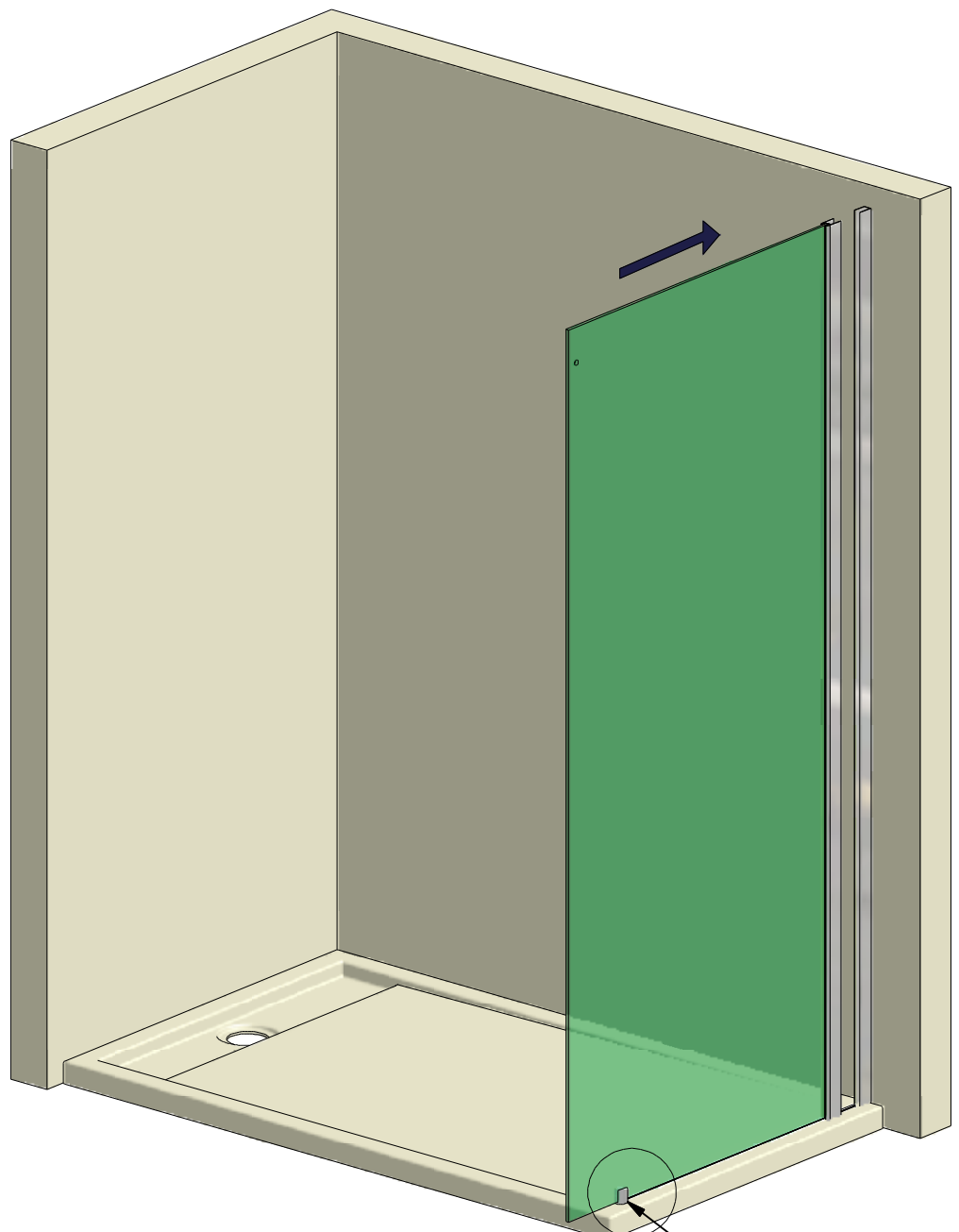
B3

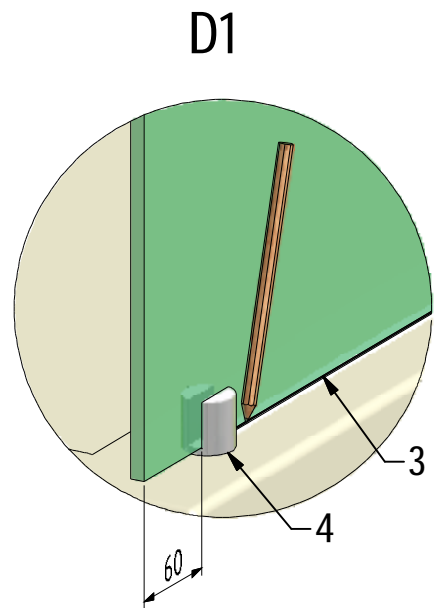
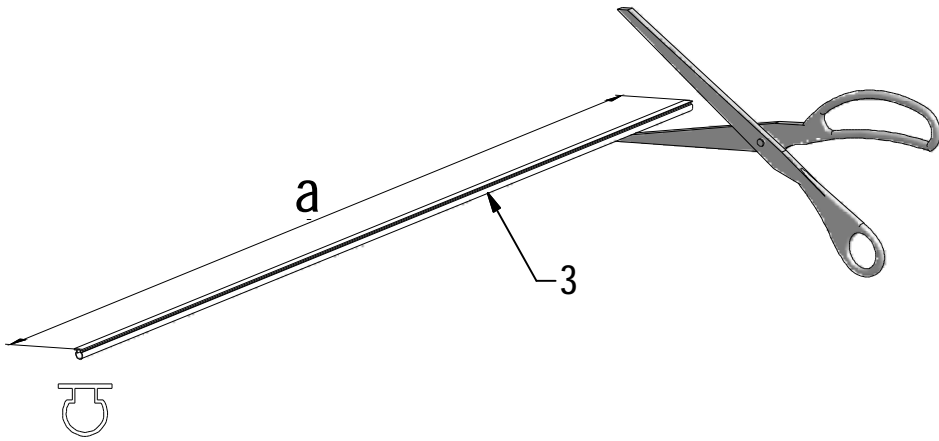
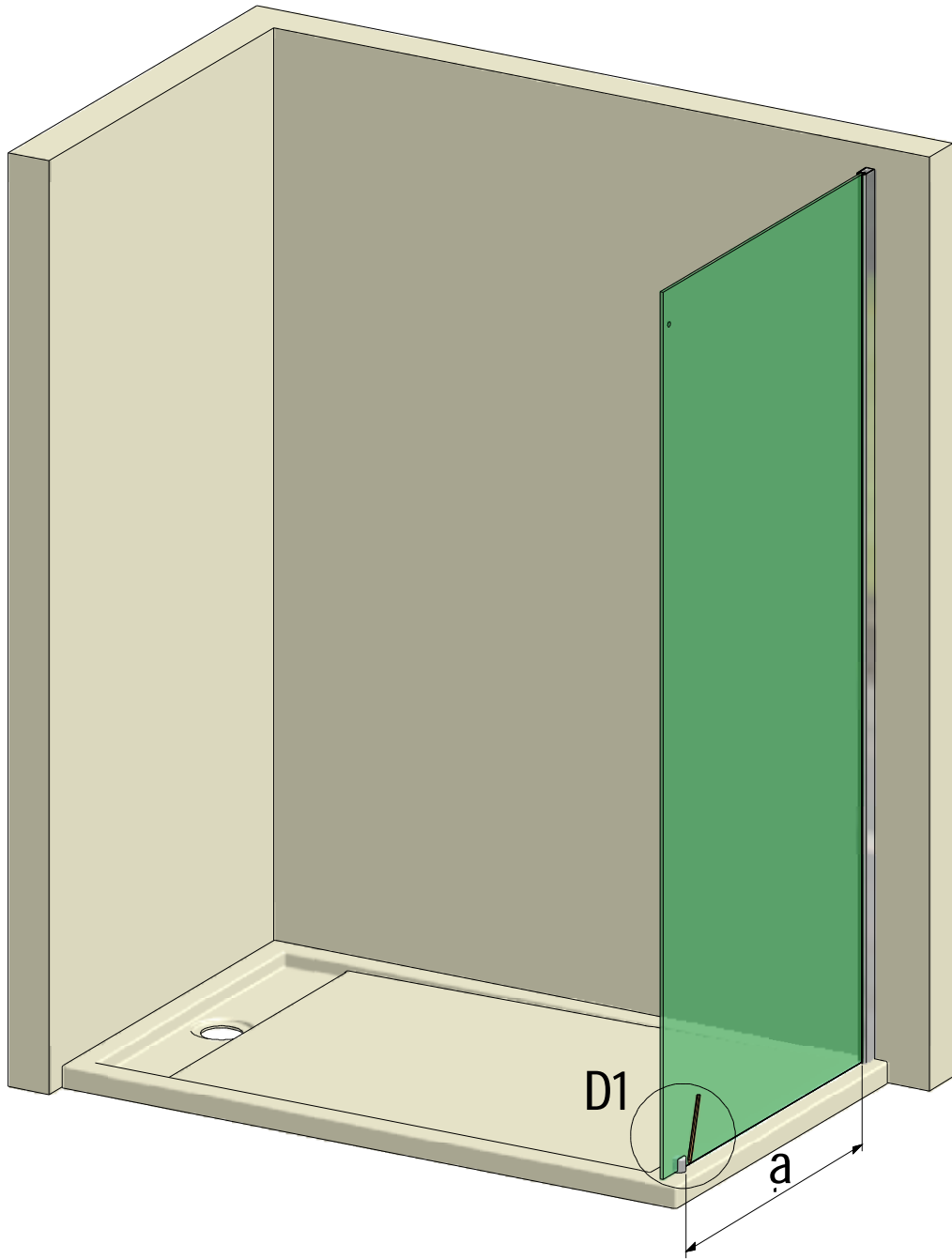


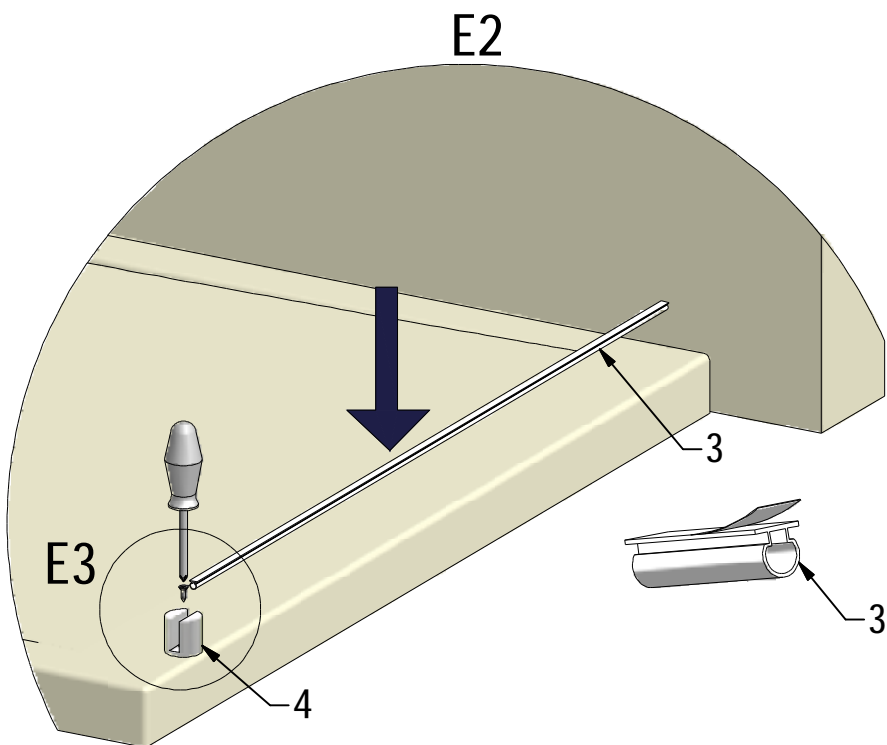
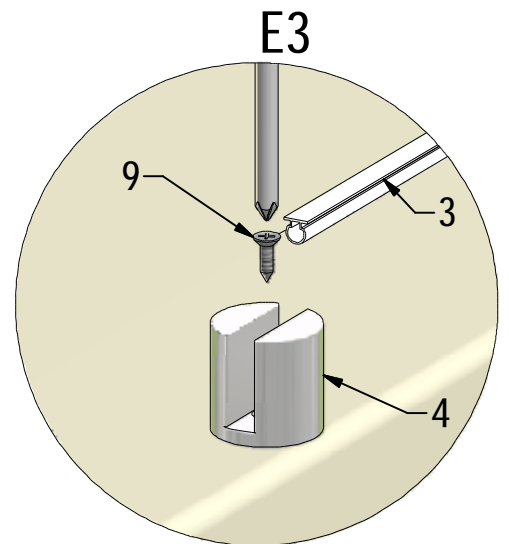
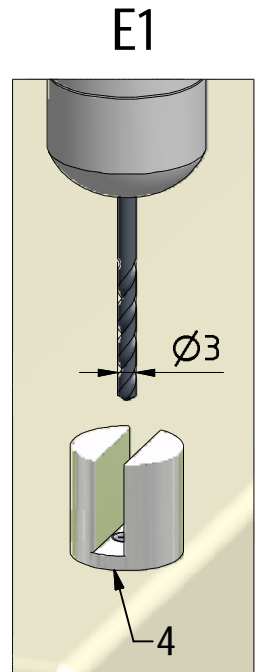
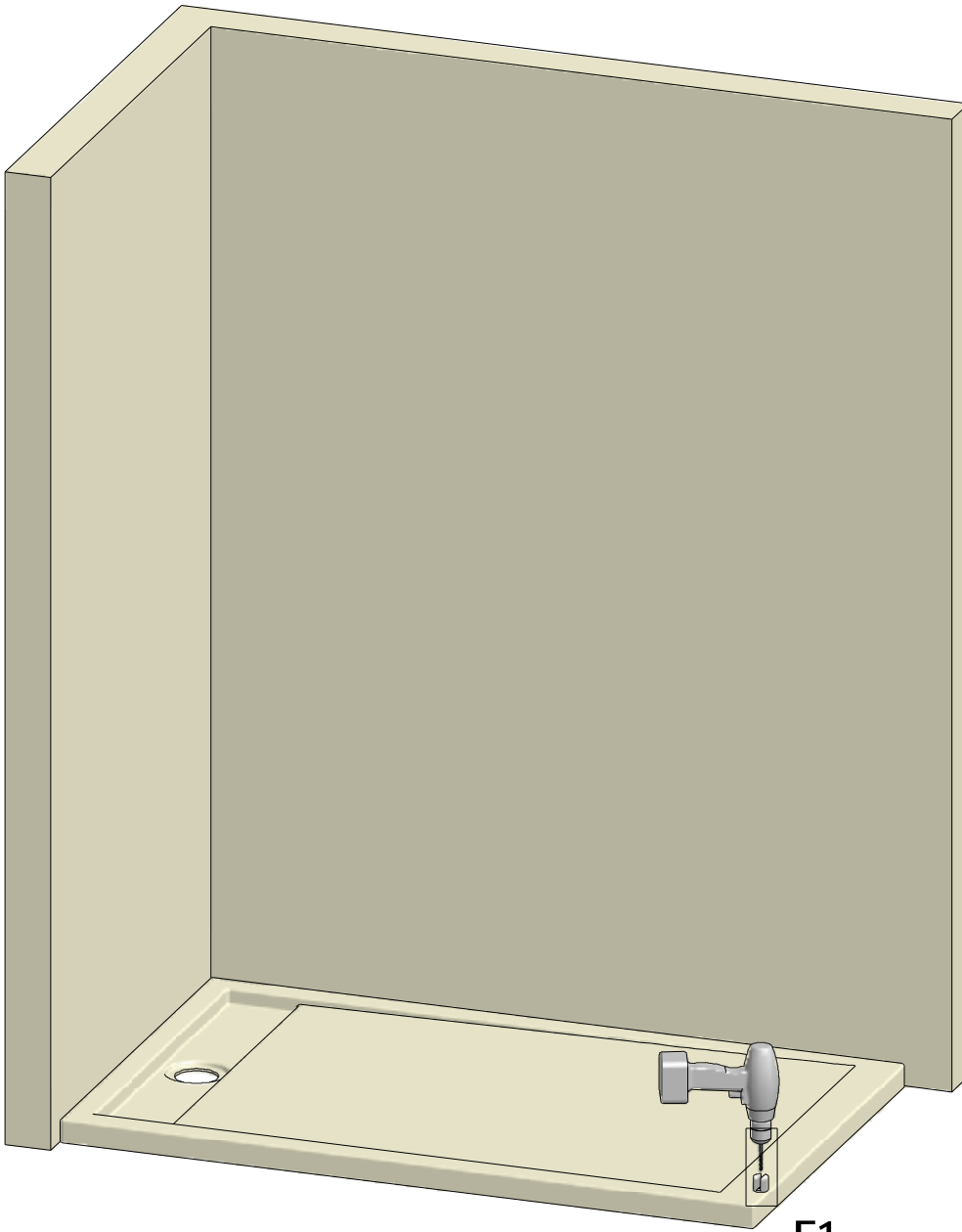


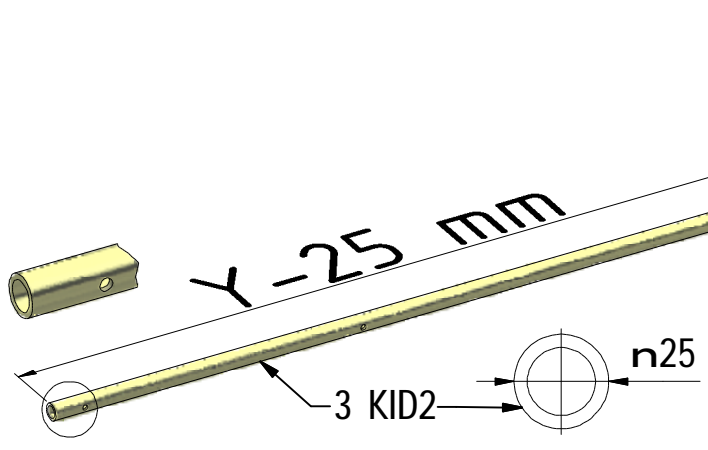
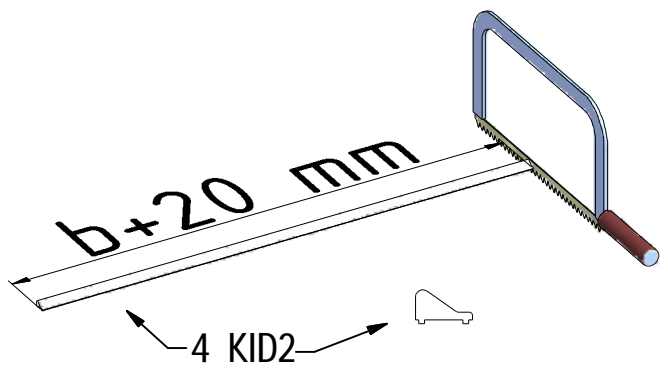
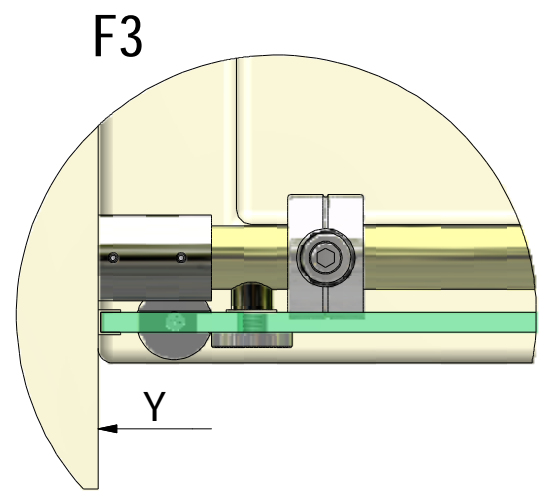
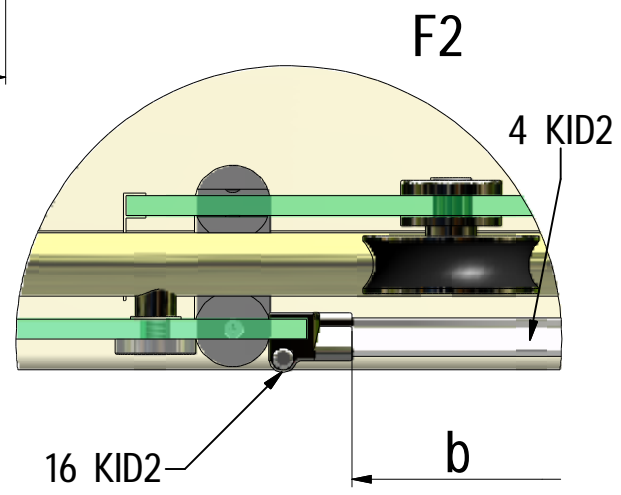
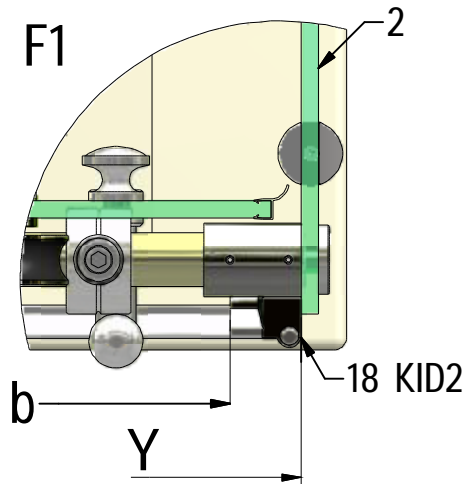
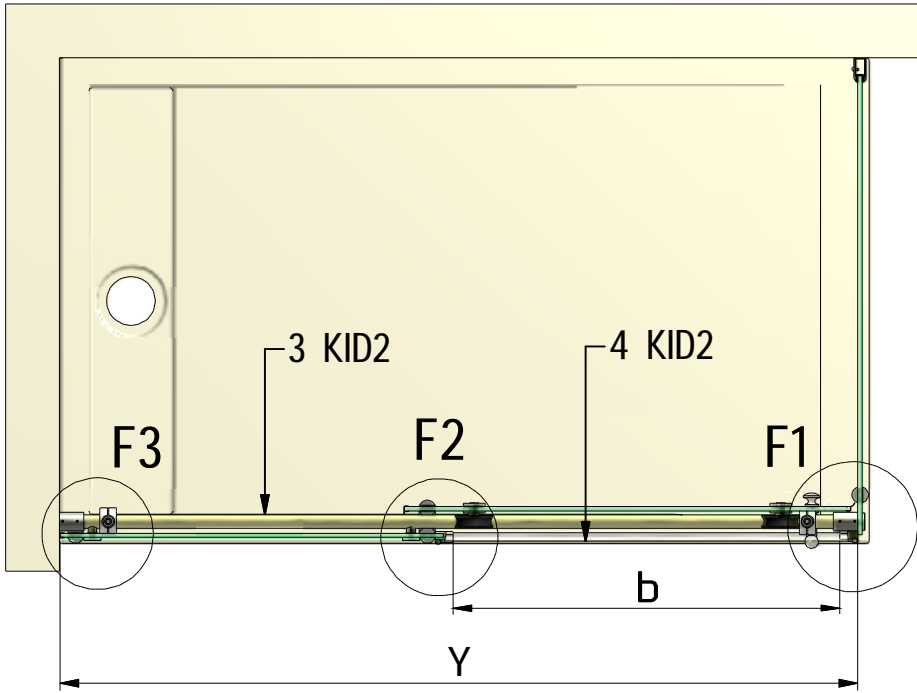
C1

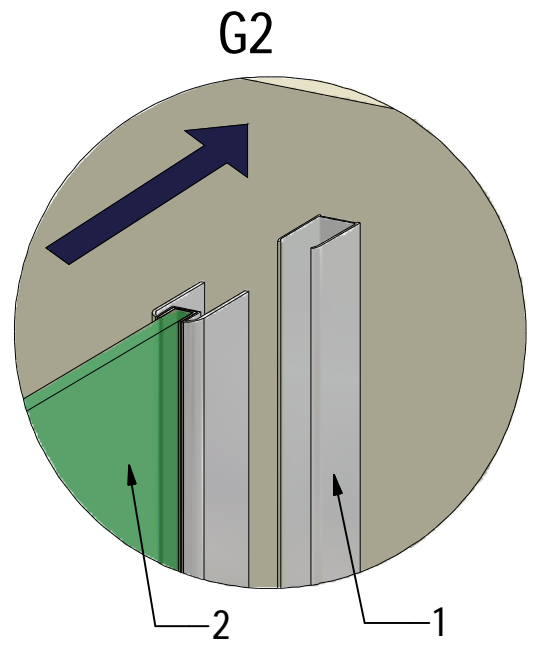
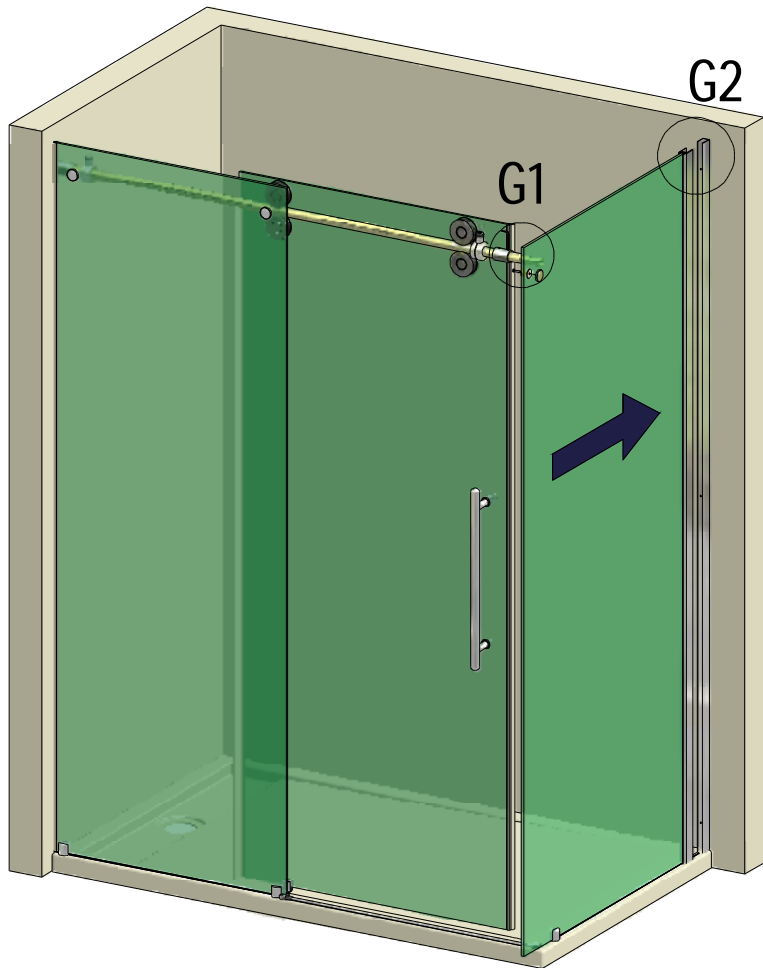




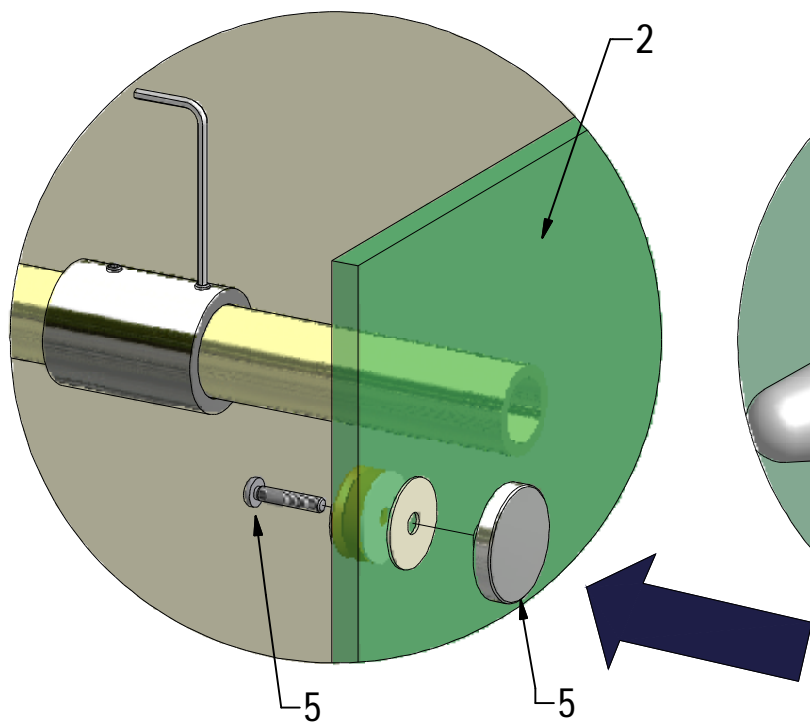




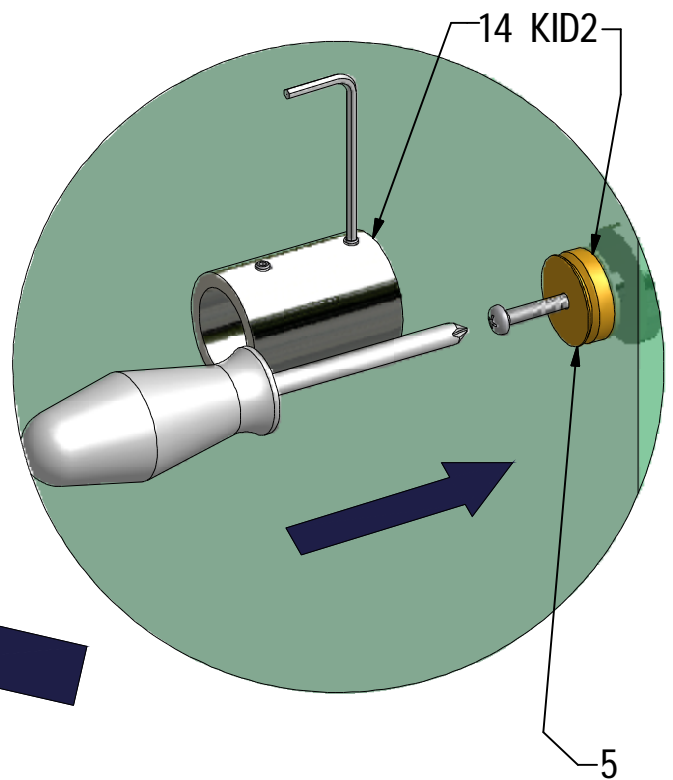


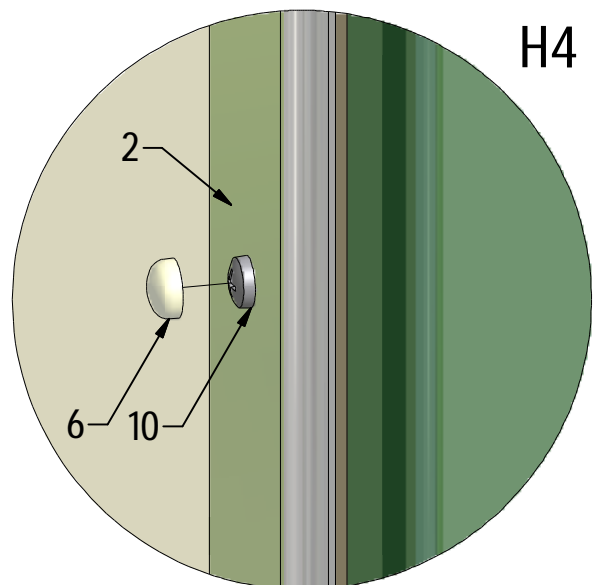
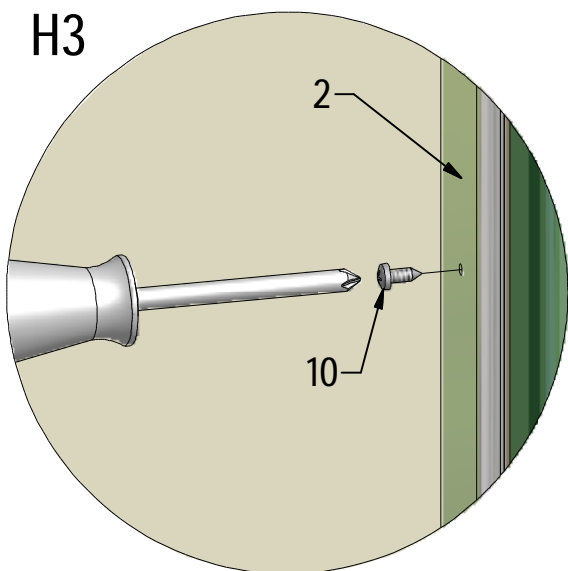
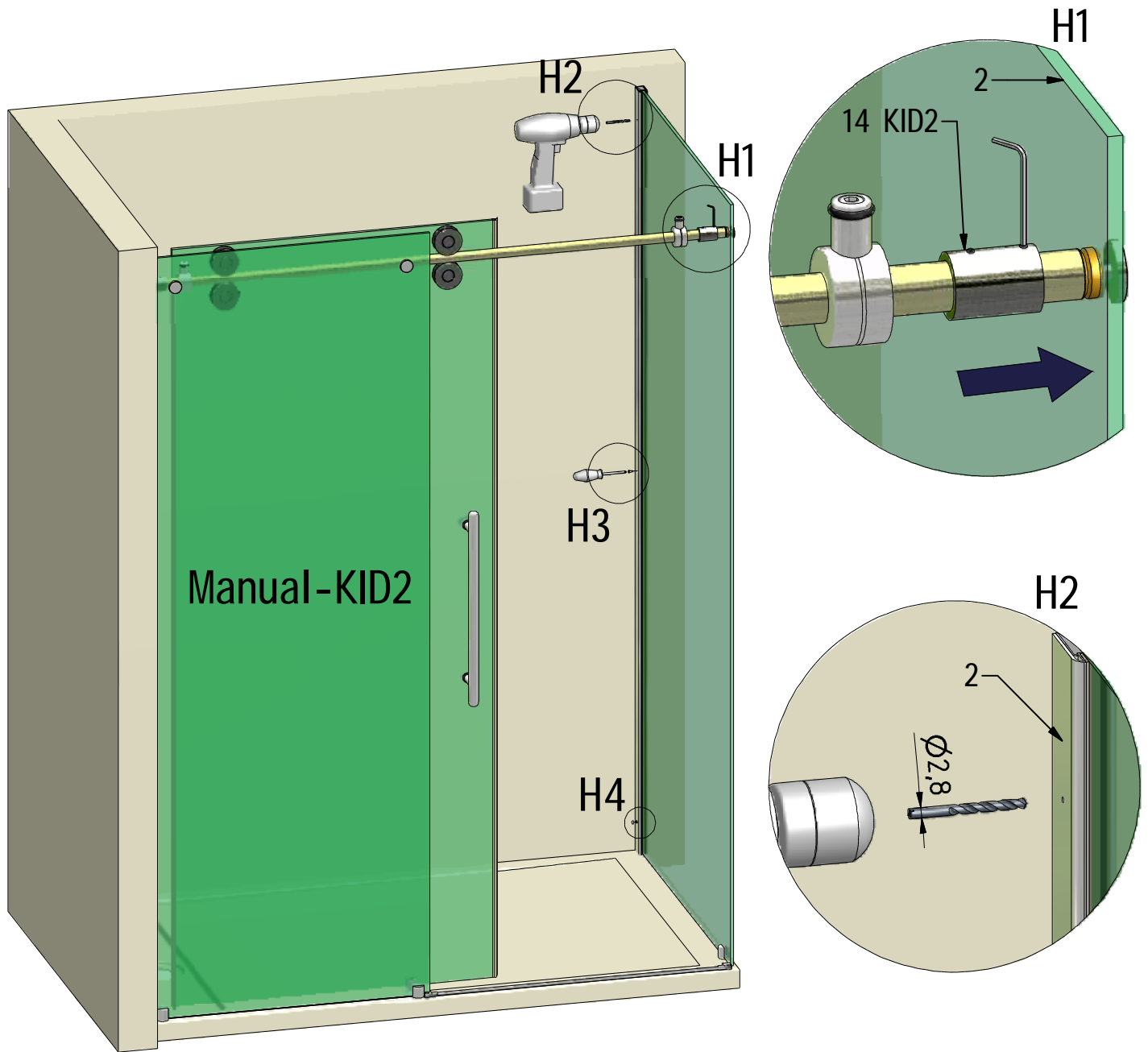


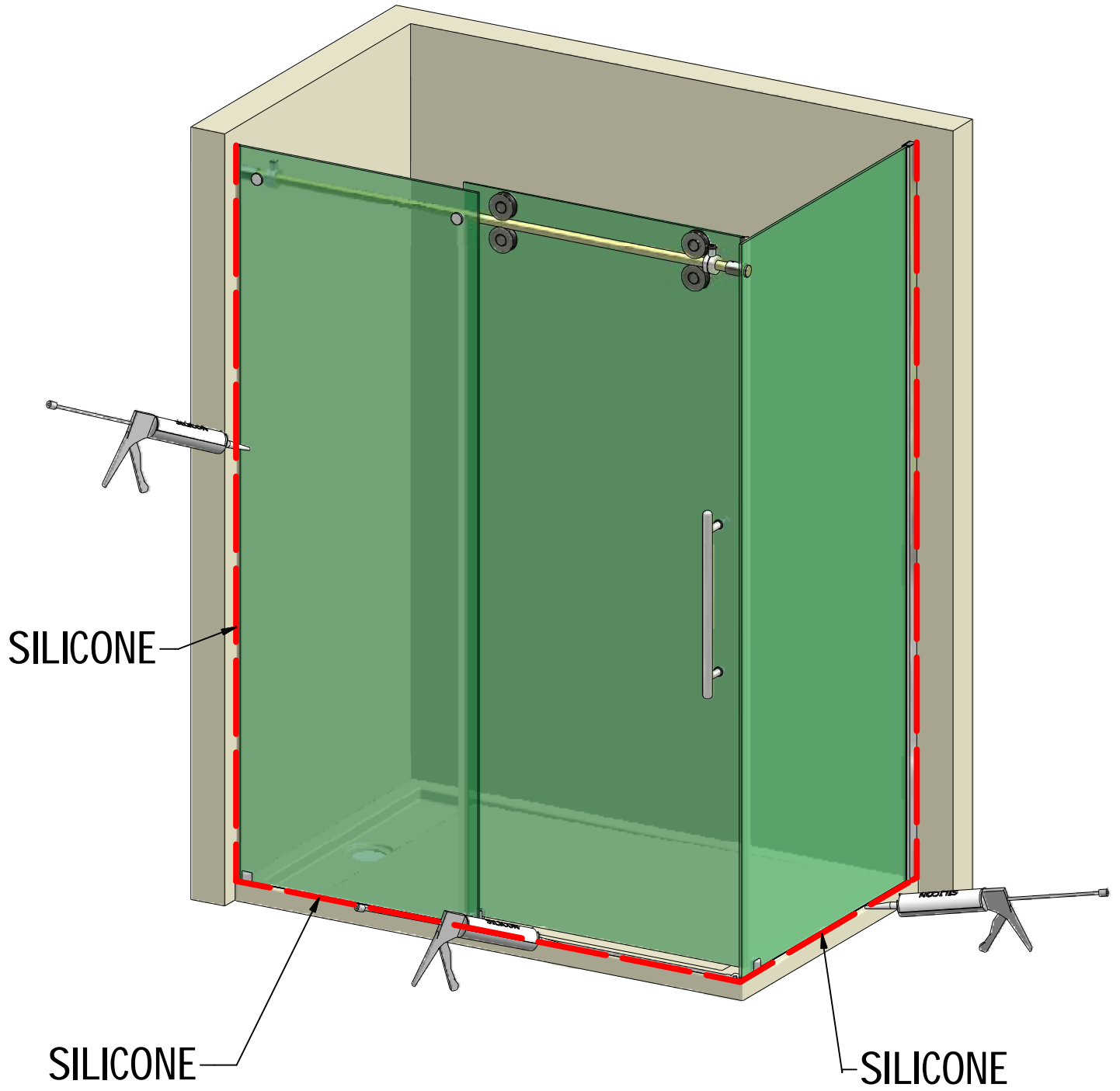
G1b



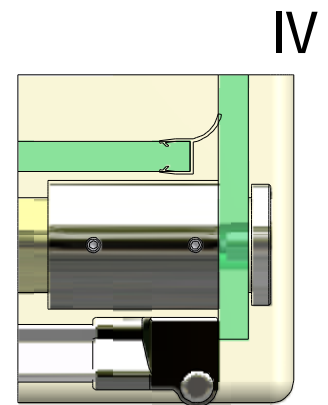
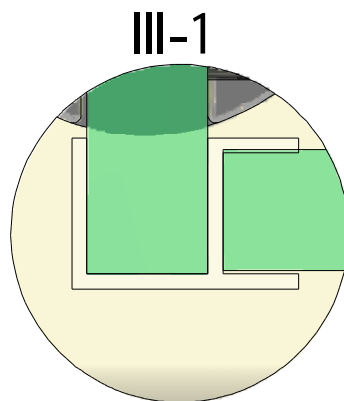
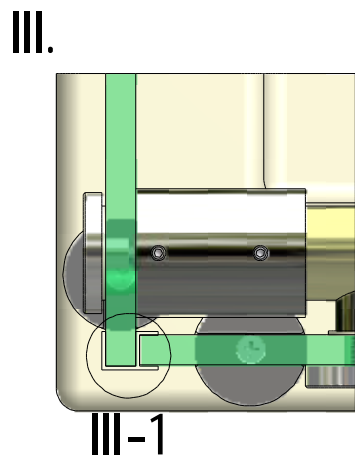
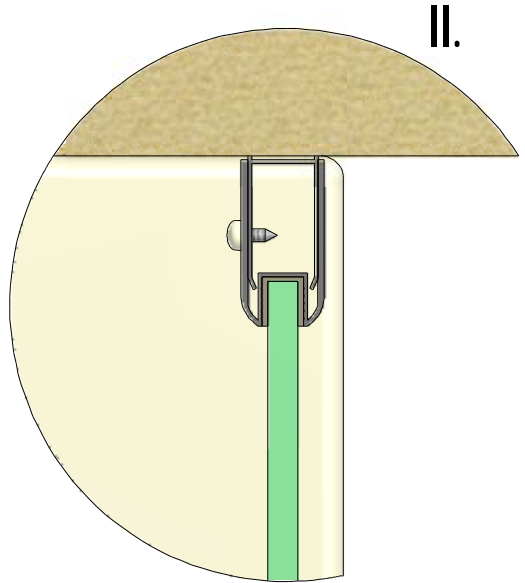
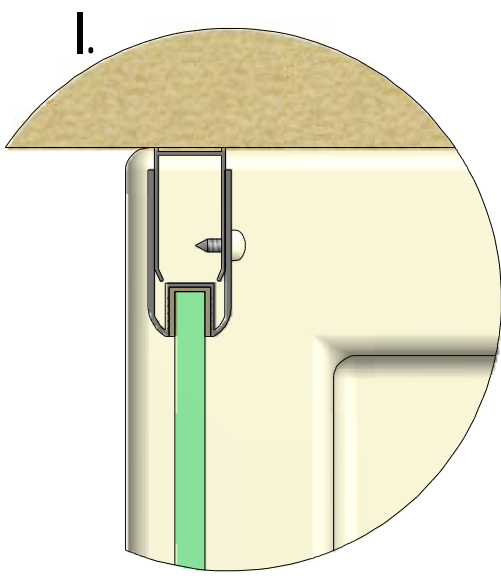
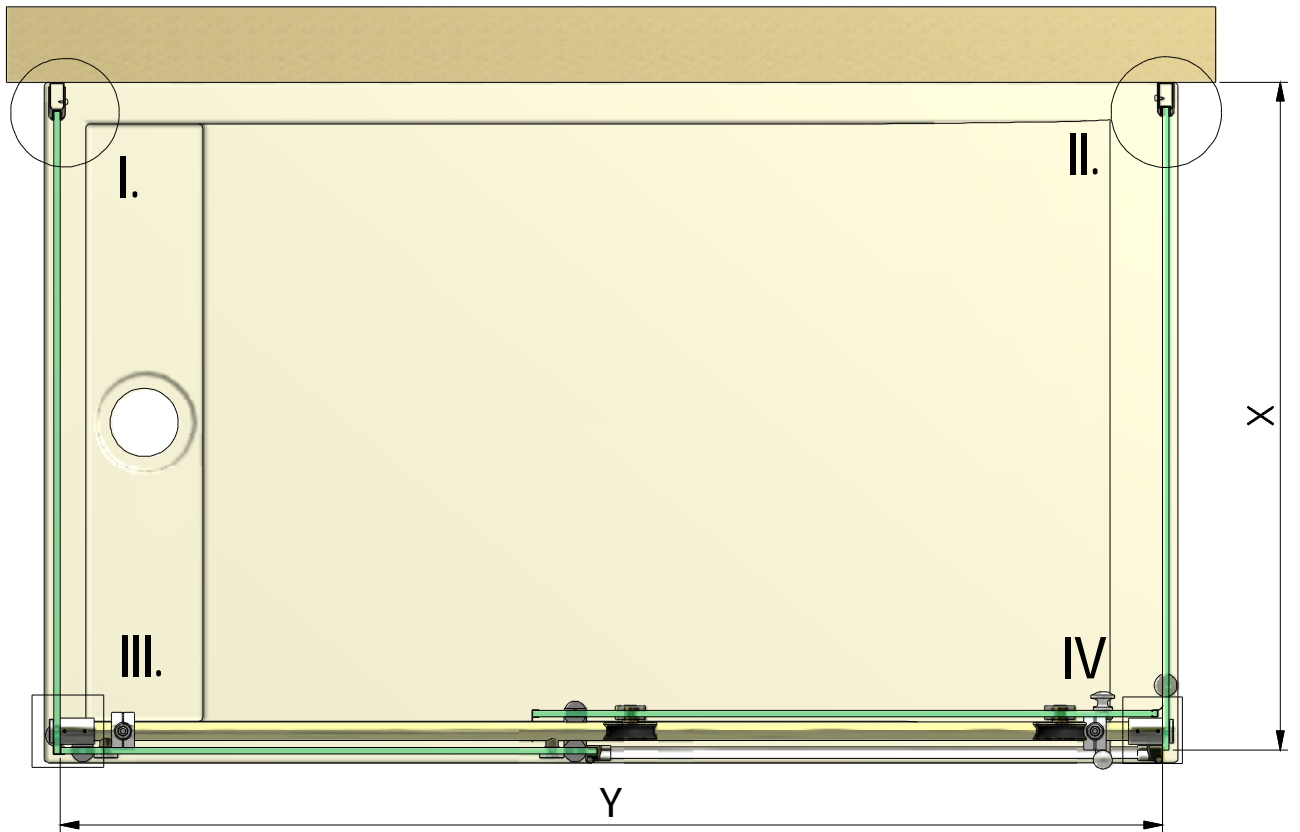
G1a

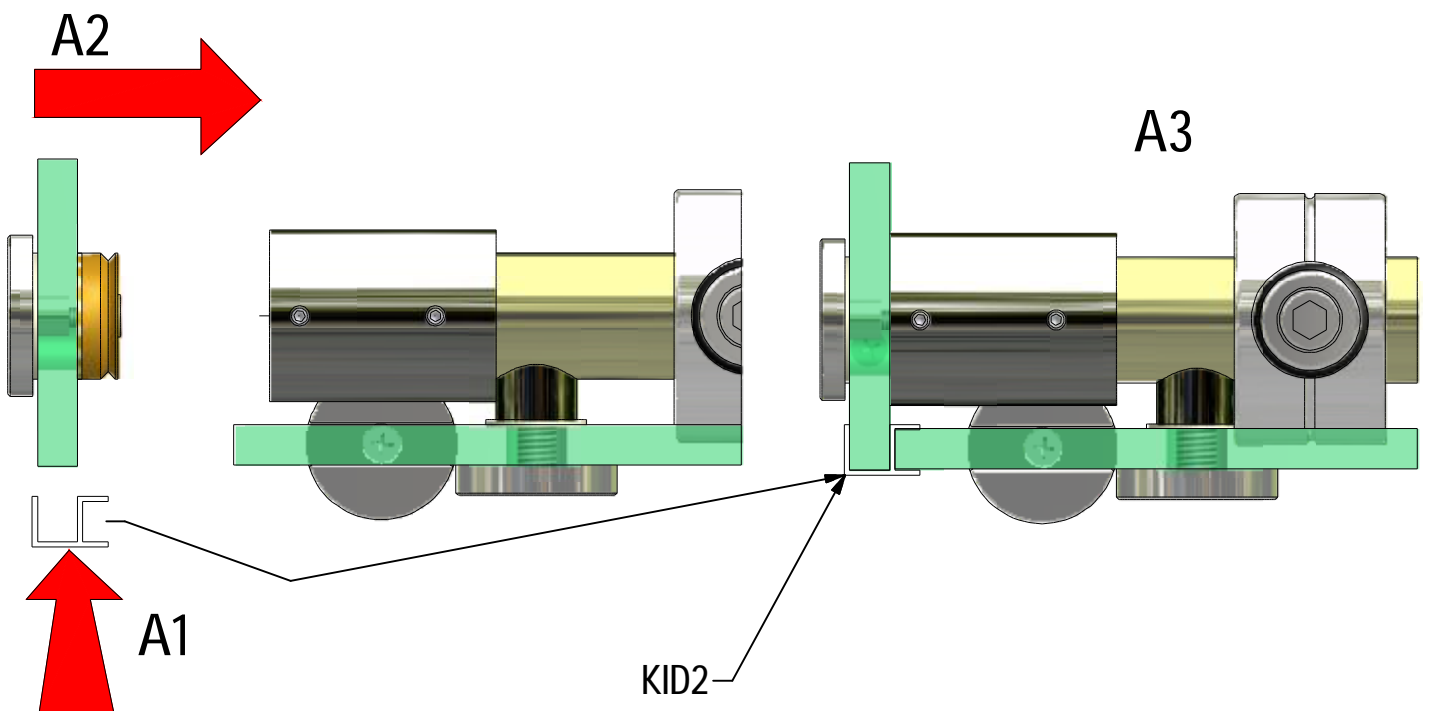
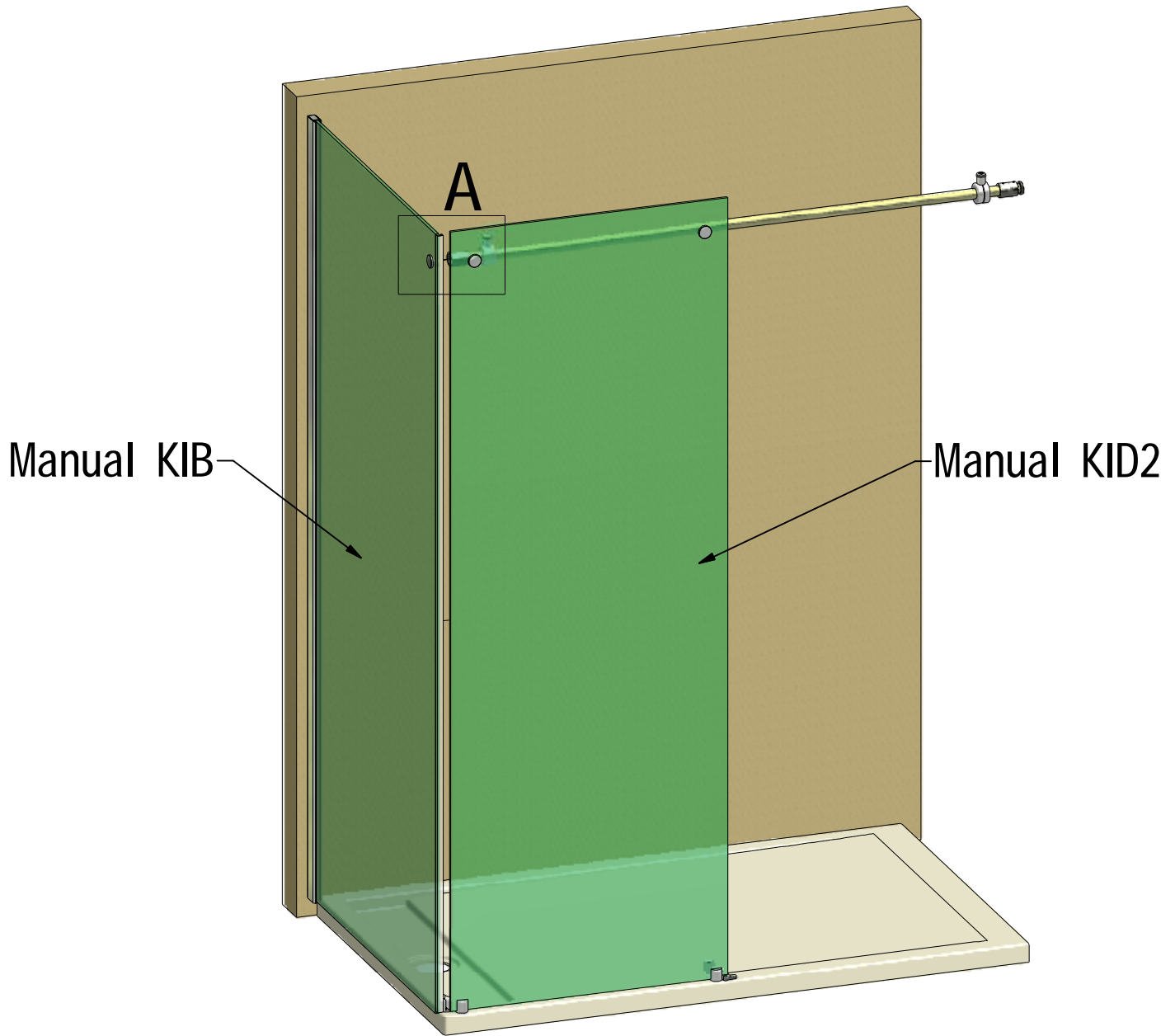


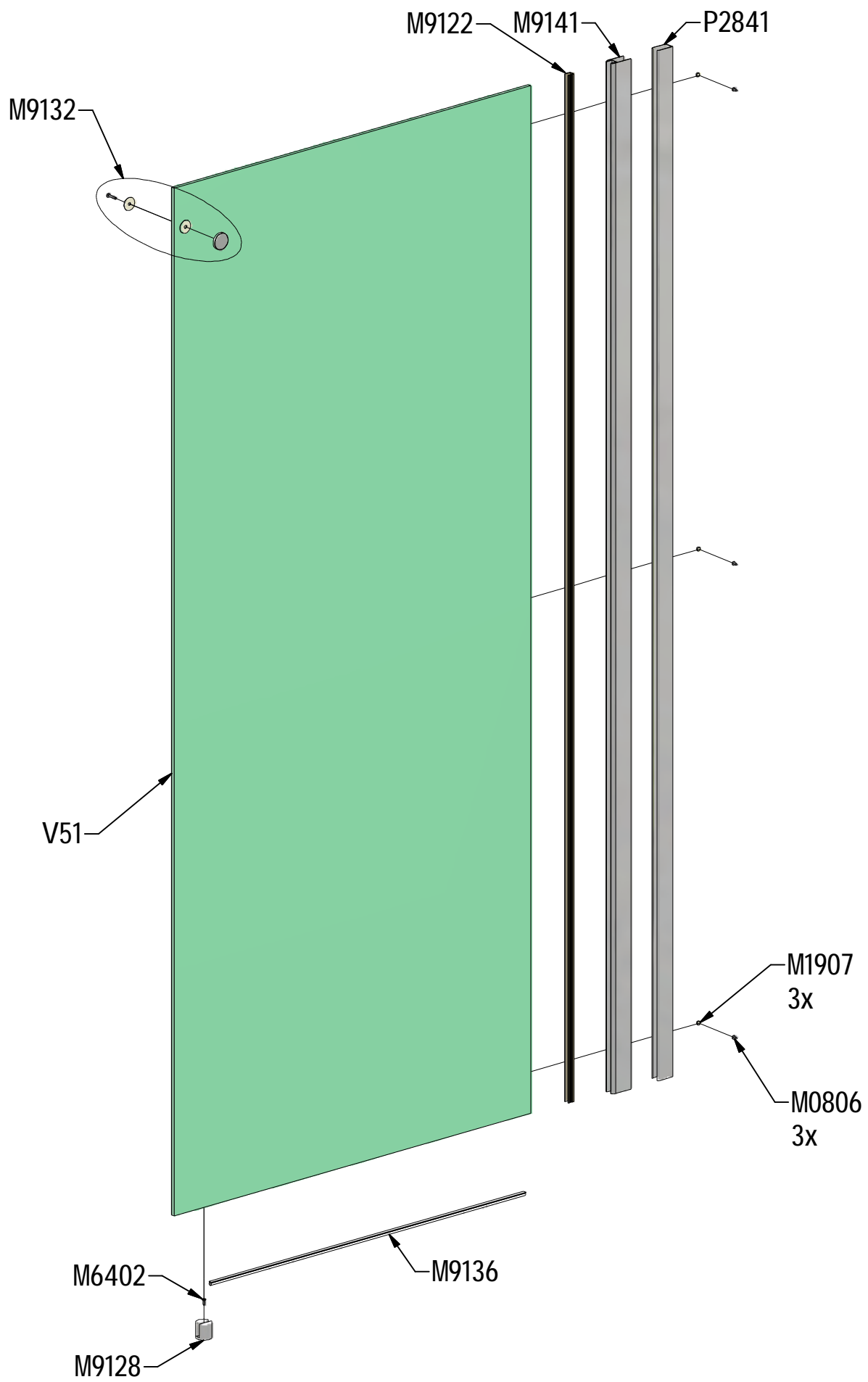




KIB + KID2 + KIB







V51	900	clear glass	ND03-0401-00-02
	1000	clear glass	ND03-0402-00-02



**ROLTECHNIK a.s. / Třebov 160 / 569 33,
CZECH REPUBLIC**

10

EN 14428:2008+A1