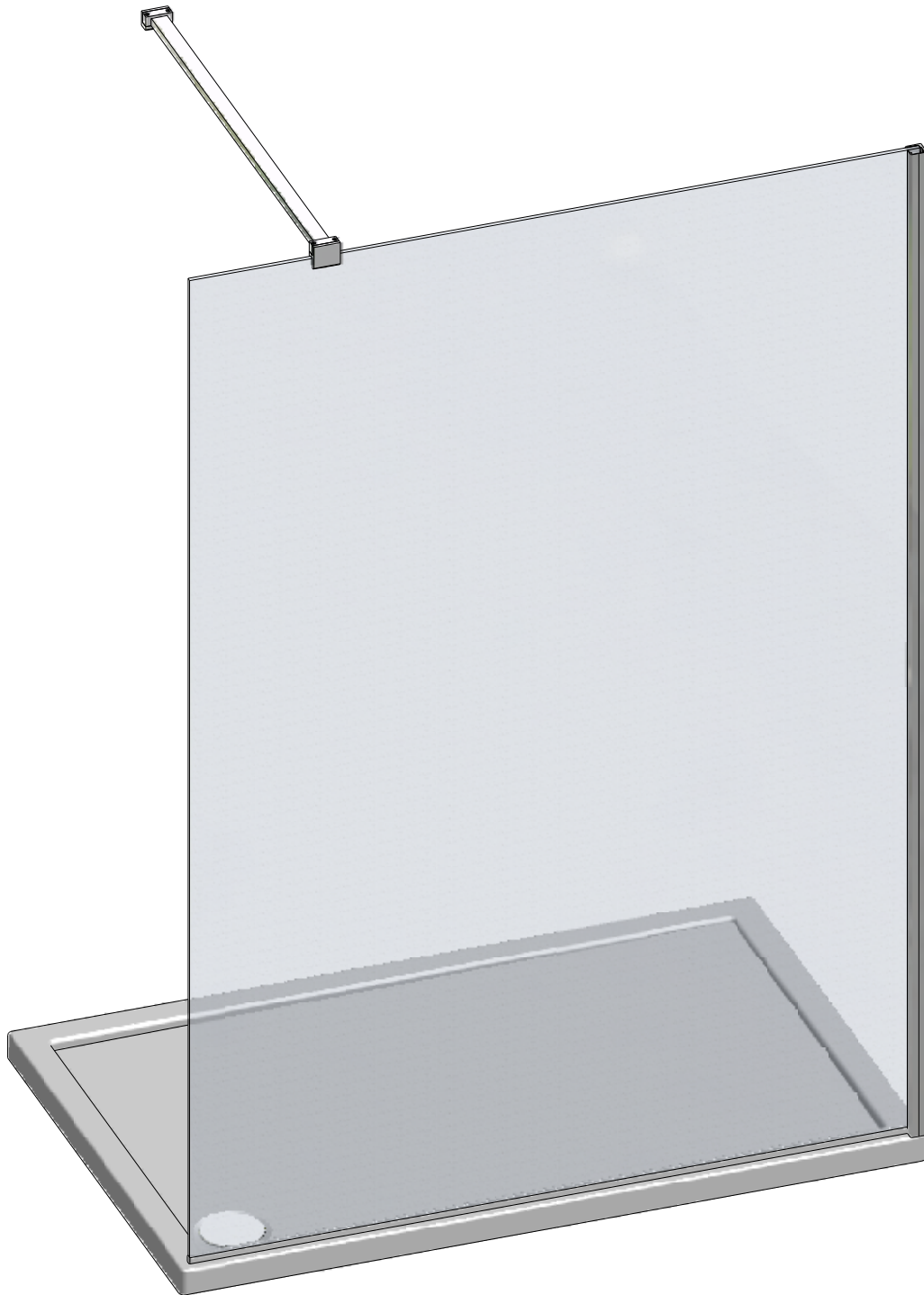
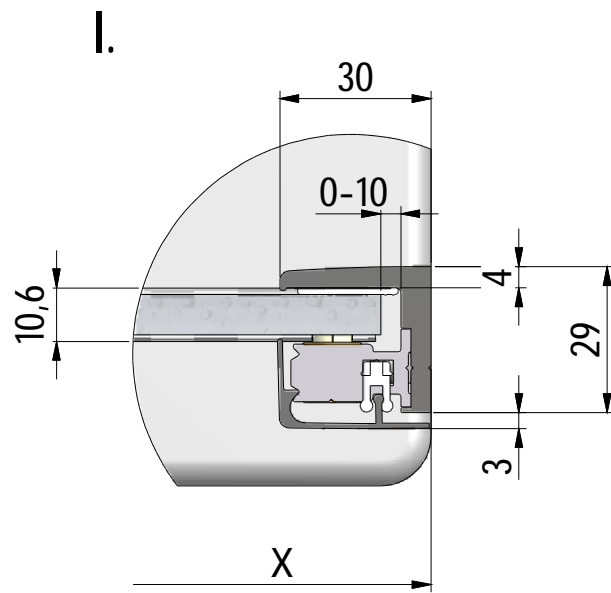
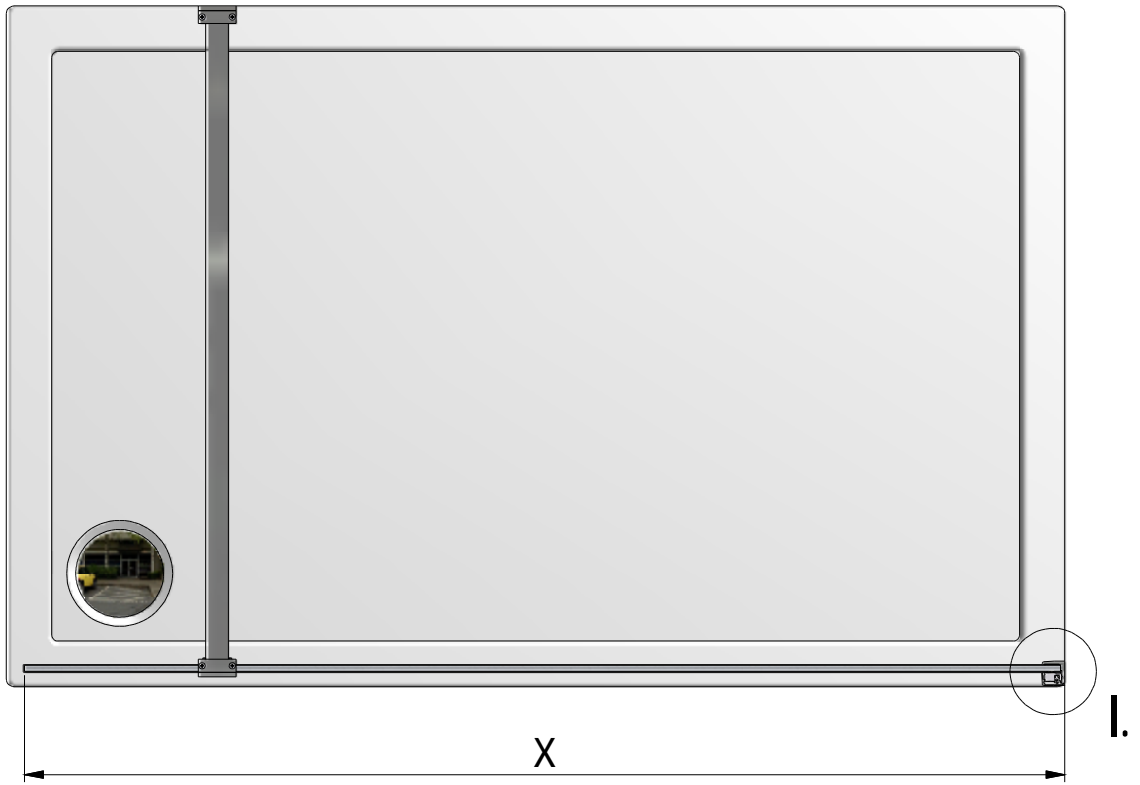


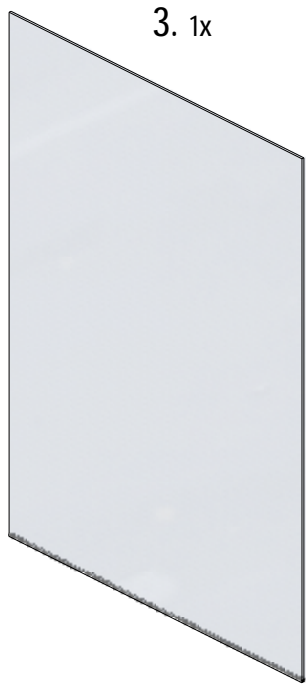
# WALK G



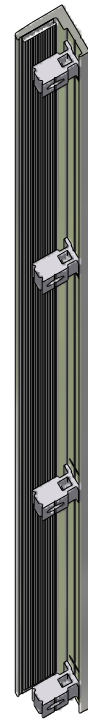




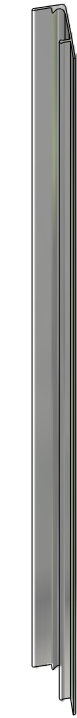
WALK G	X	
	MIN	MAX
1000	976	986
1200	1176	1186
1400	1376	1386
1500	1476	1486



3. 1x



4. 1x

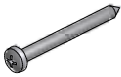


5. 1x  
P2665

7. 6x  
M0511



8. 6x  
M0811



9. 4x  
M5974



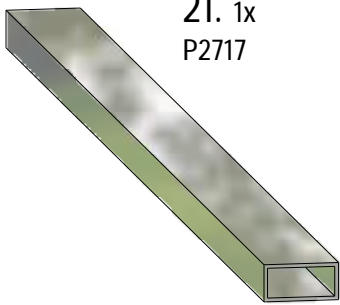
10. 4x  
M5975



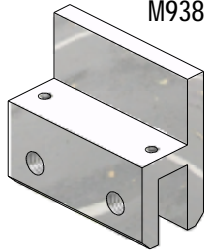
11. 4x  
M8924



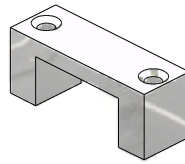
14. 2x  
M9097



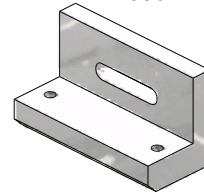
21. 1x  
P2717



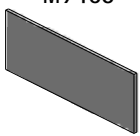
22. 1x  
M9383



23. 2x  
M9384



24. 1x  
M9385



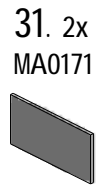
25. 1x  
M9468



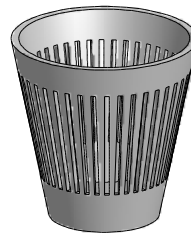
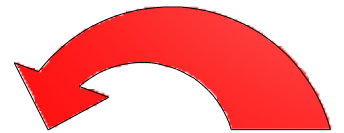
26. 4x  
M9292



27. 2x  
M5134



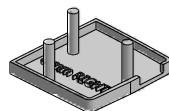
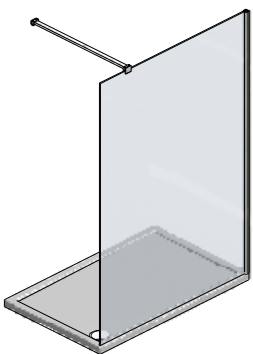
31. 2x  
MA0171



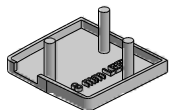
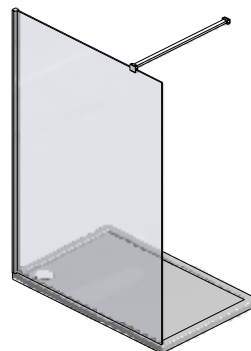
13. 1x  
M9099



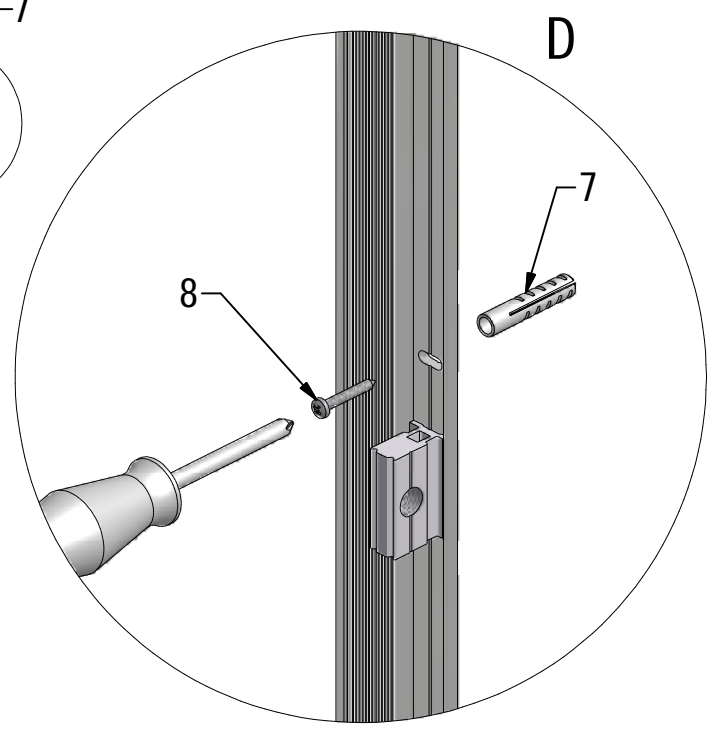
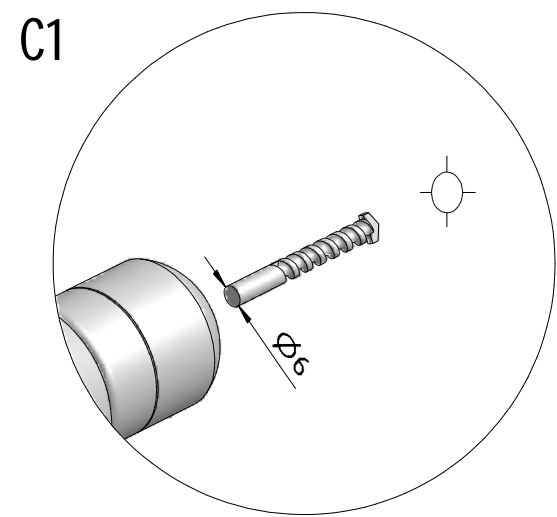
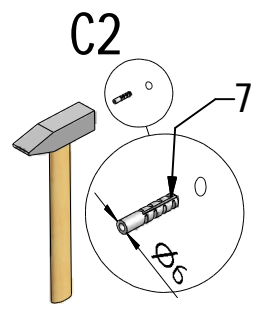
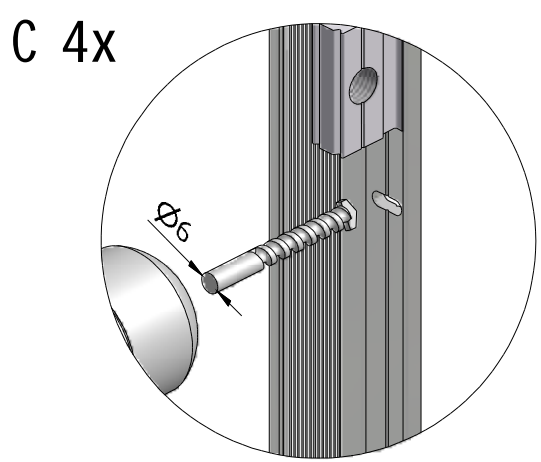
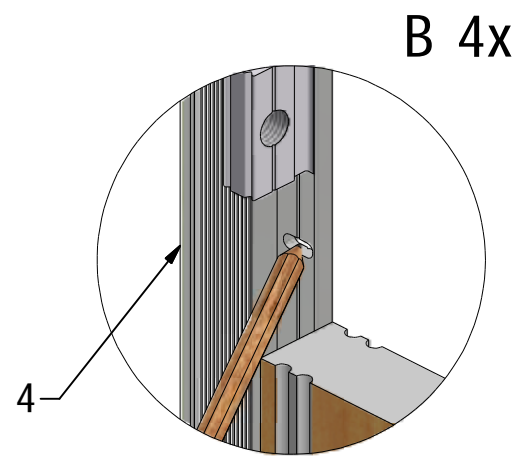
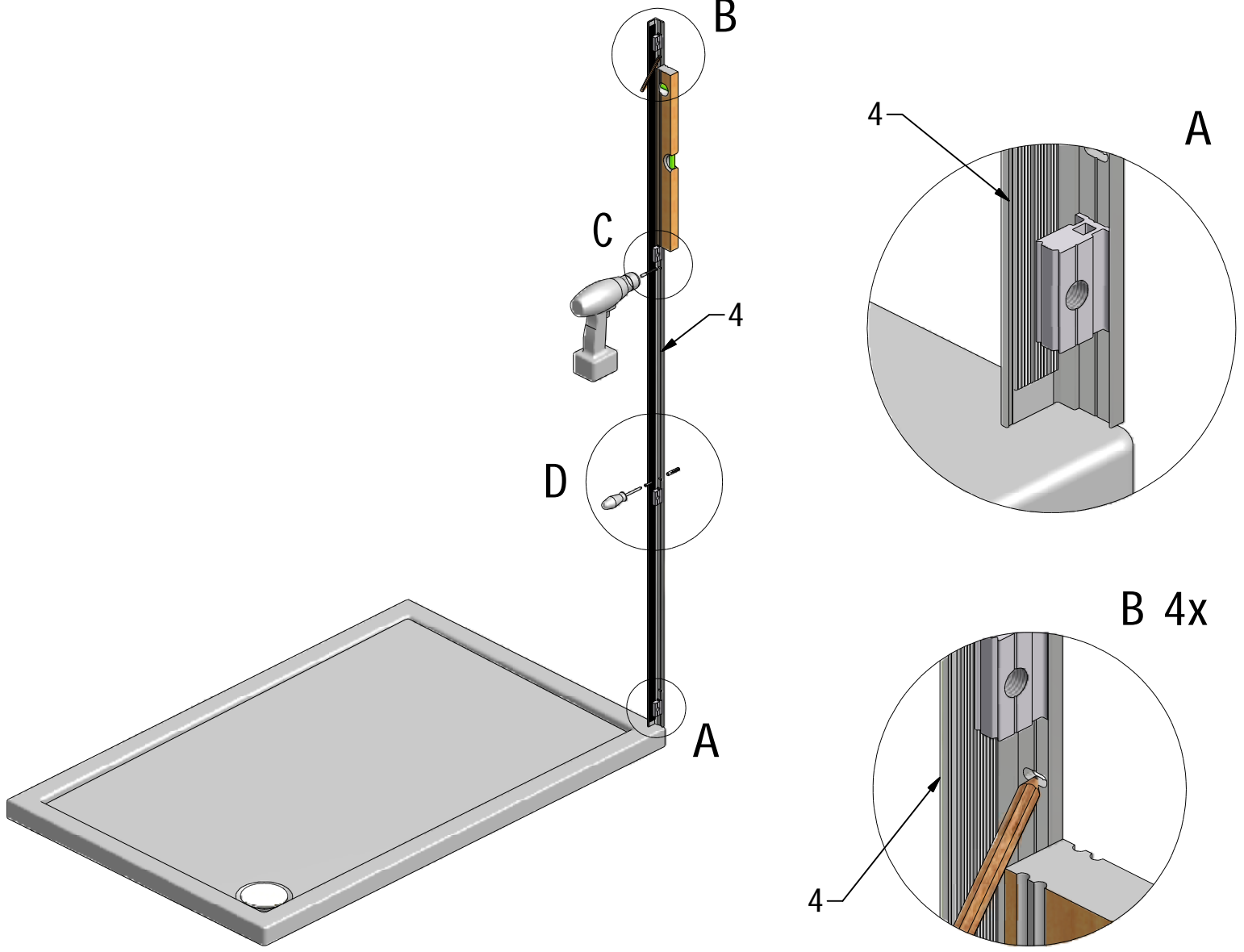
12. 1x  
M9098

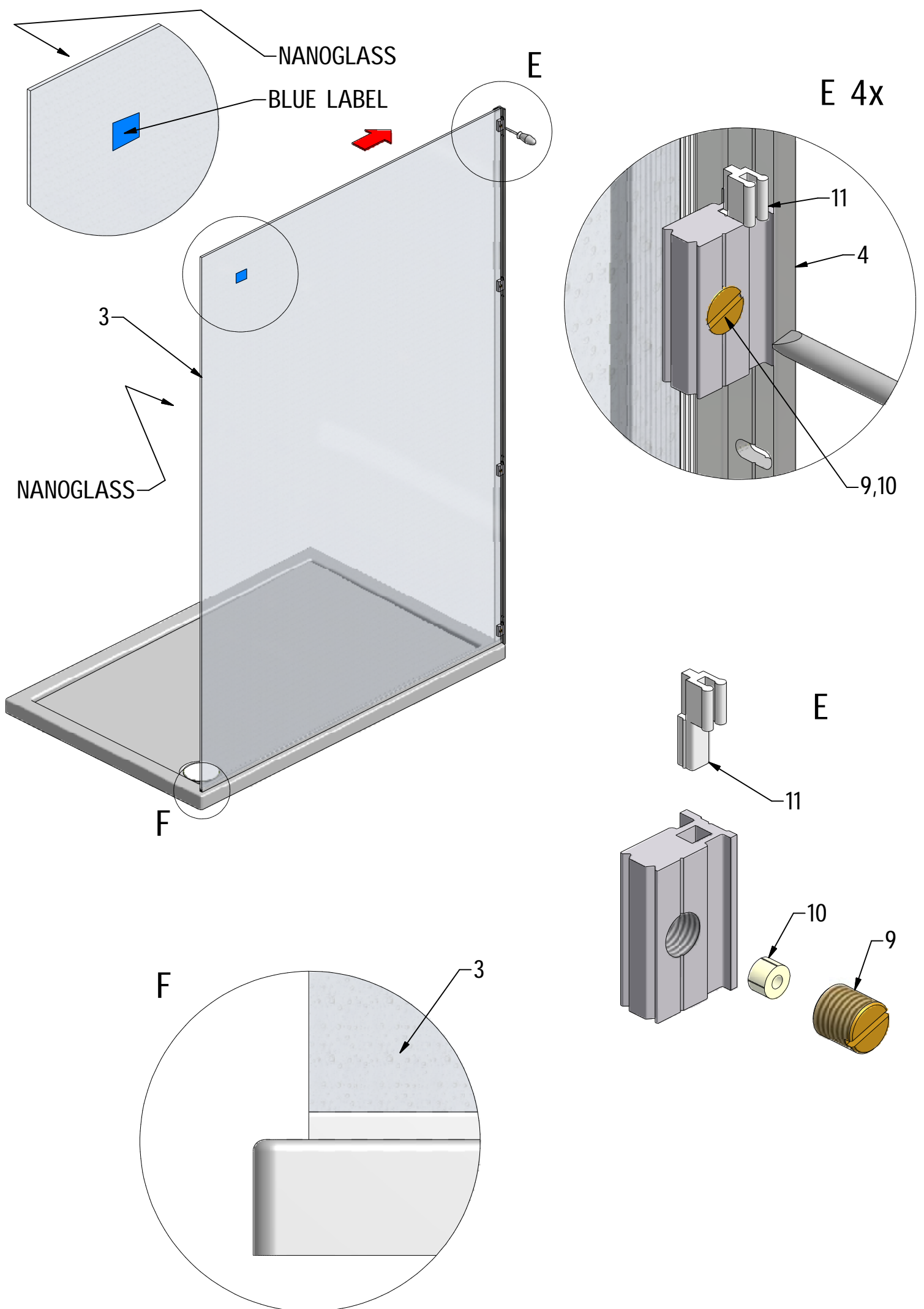


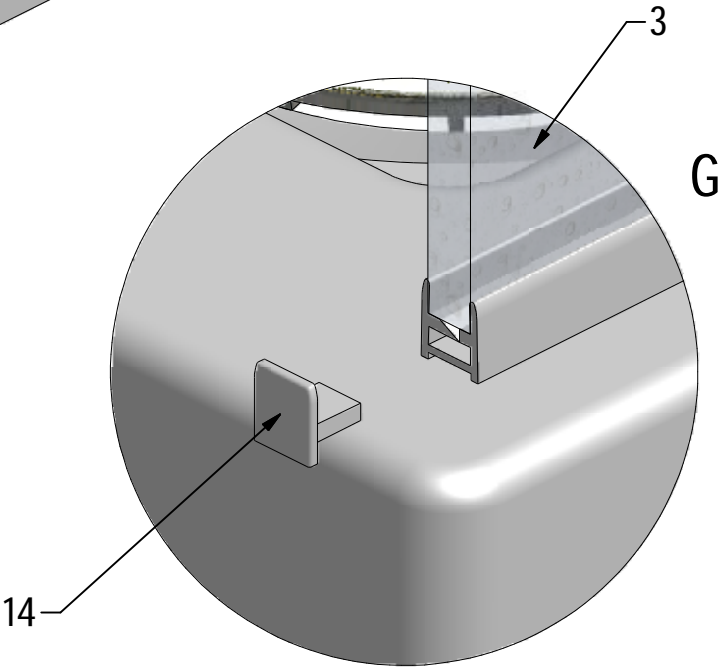
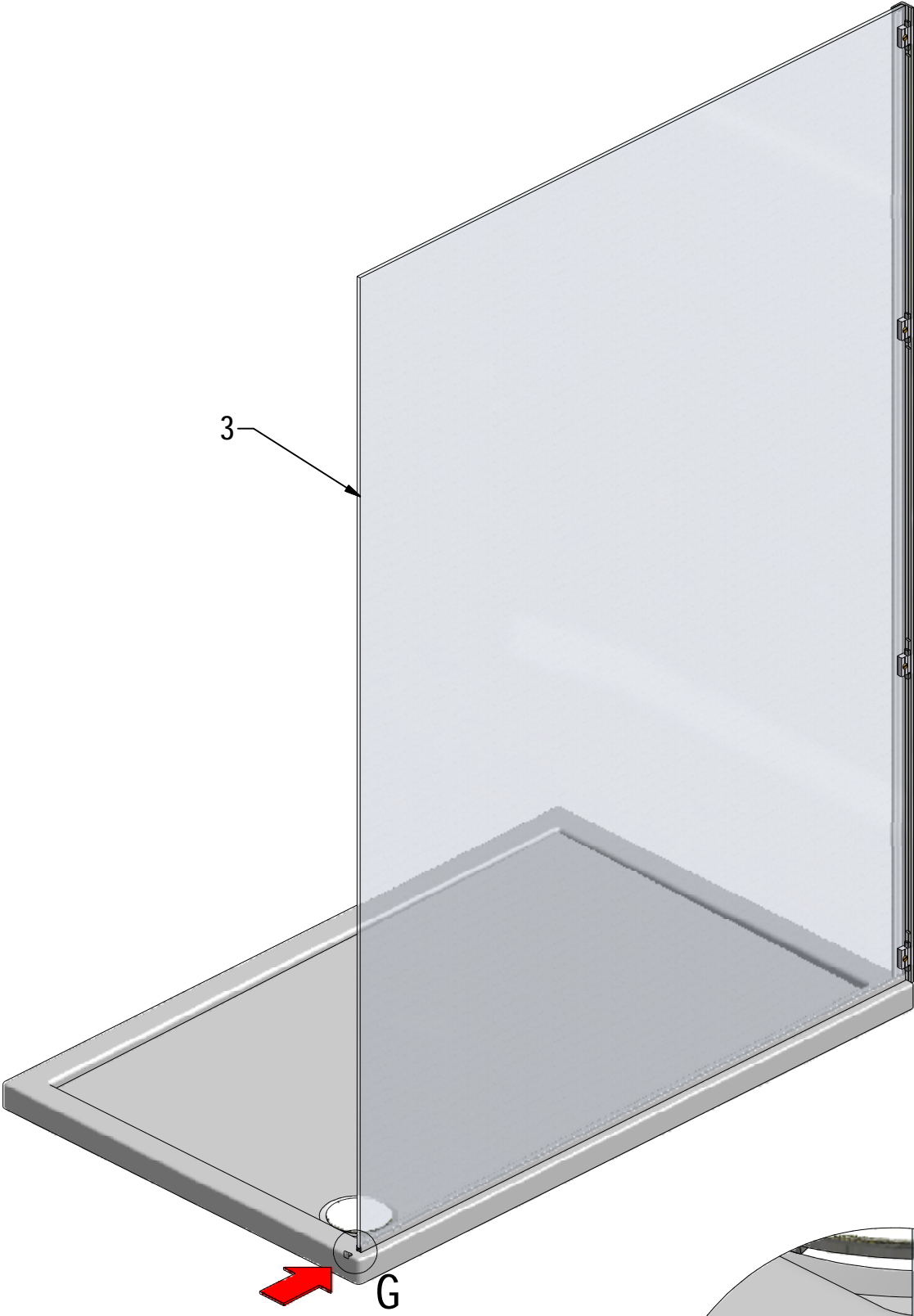
28. 1x  
M8938

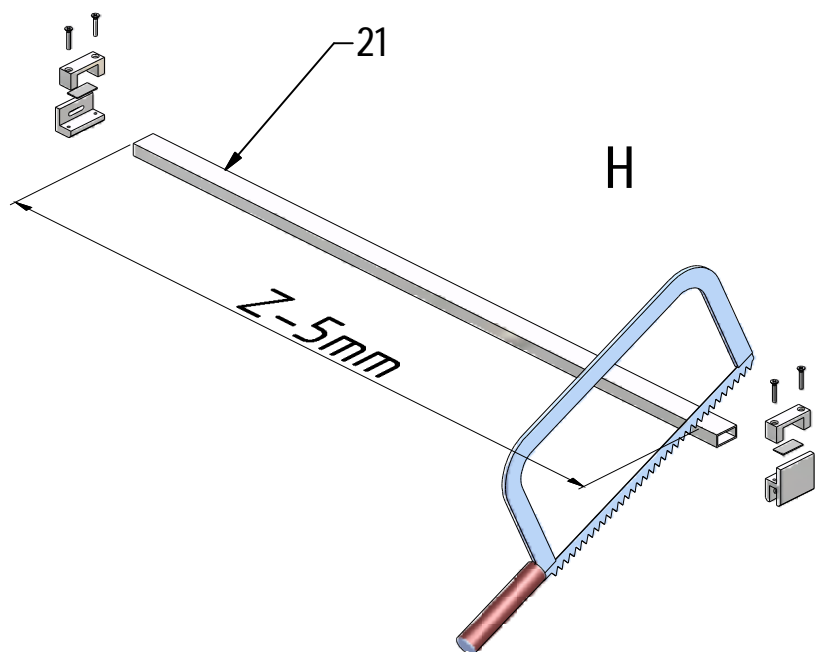
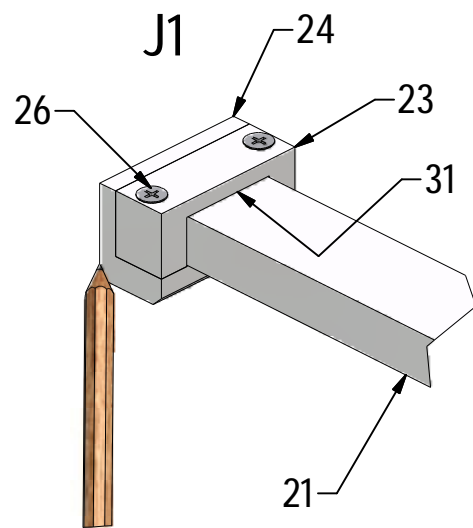
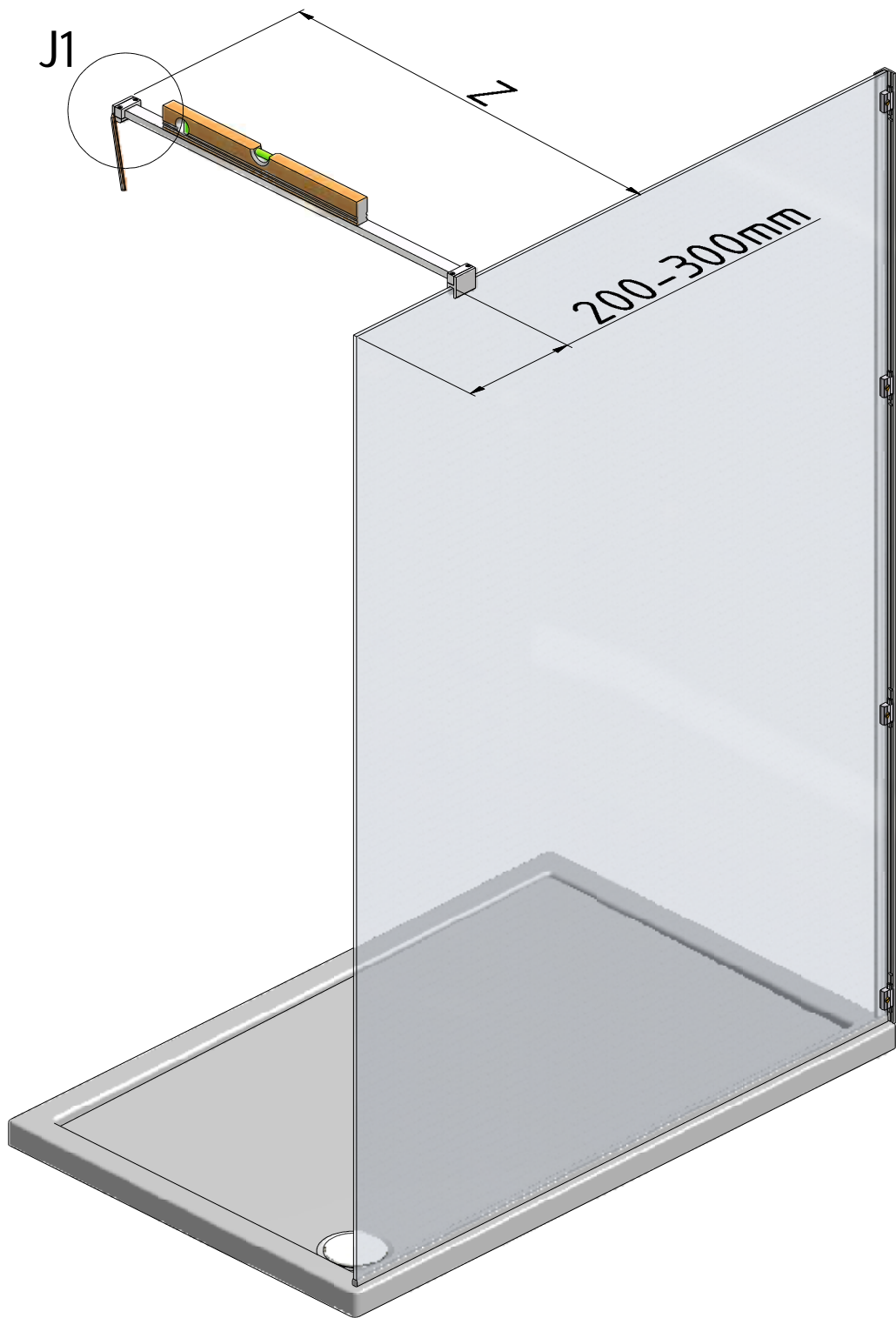


29. 1x  
M8937



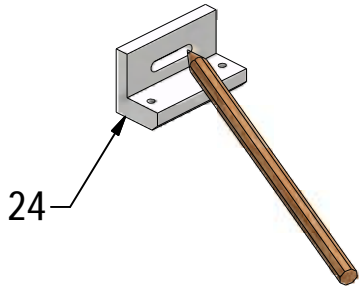




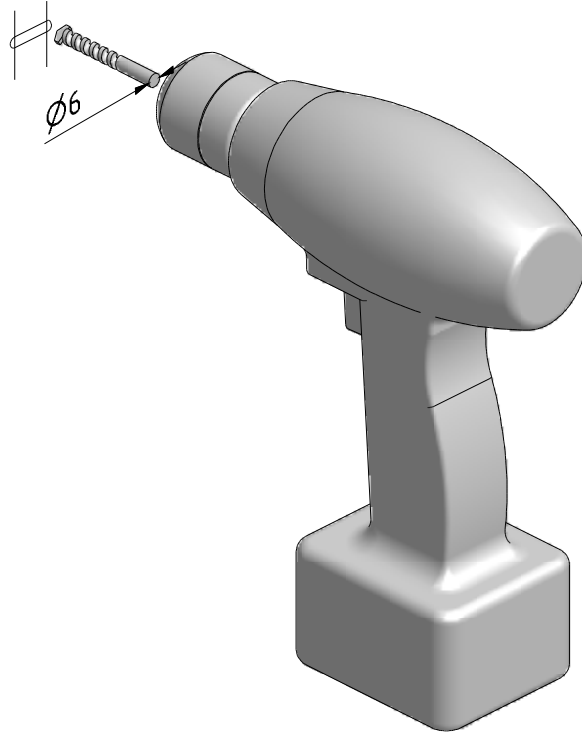




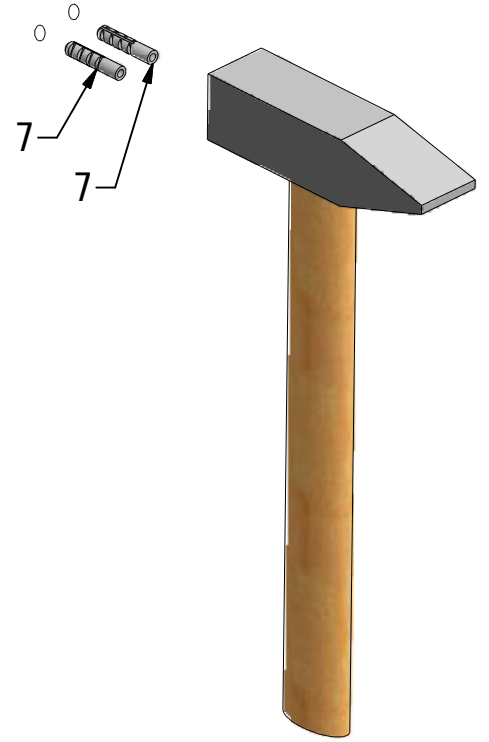
J2



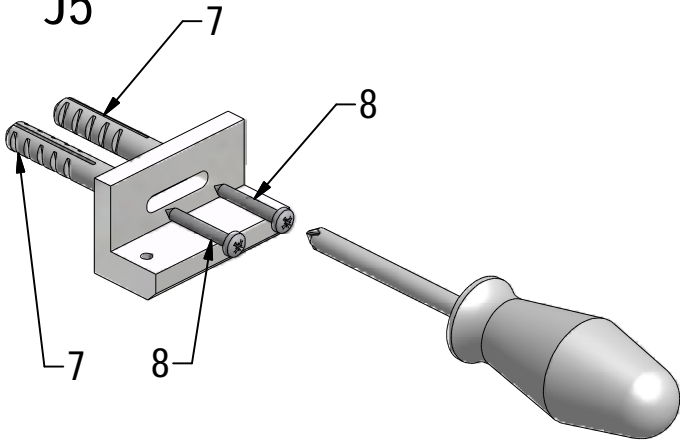
J3



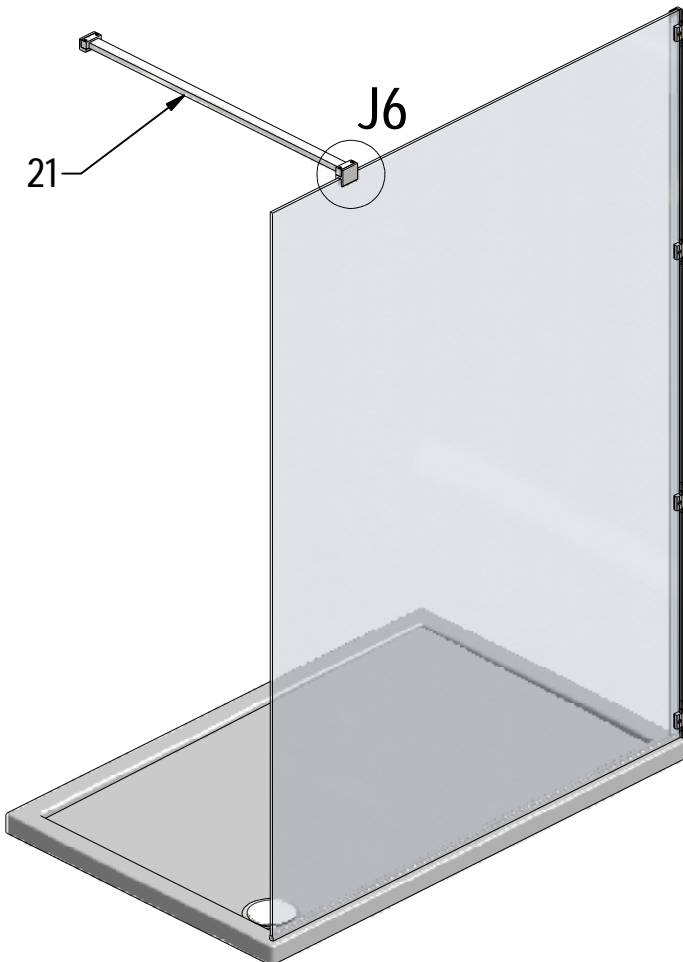
J4



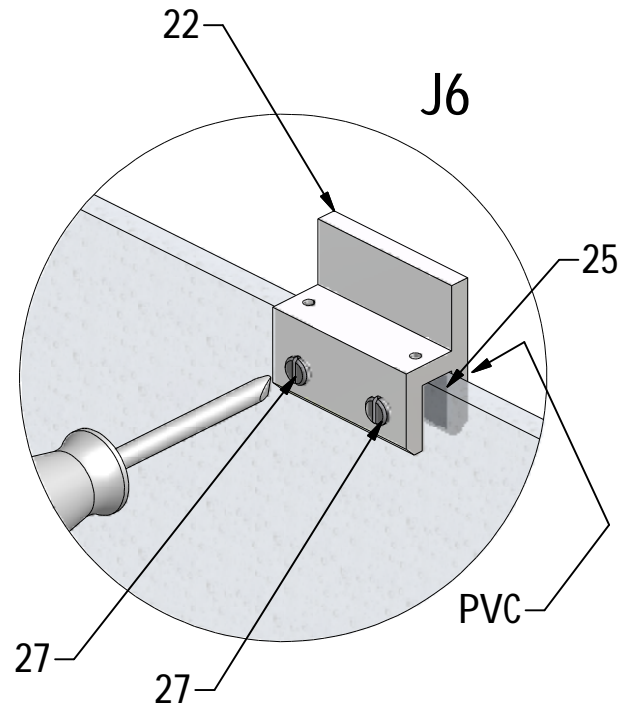
J5

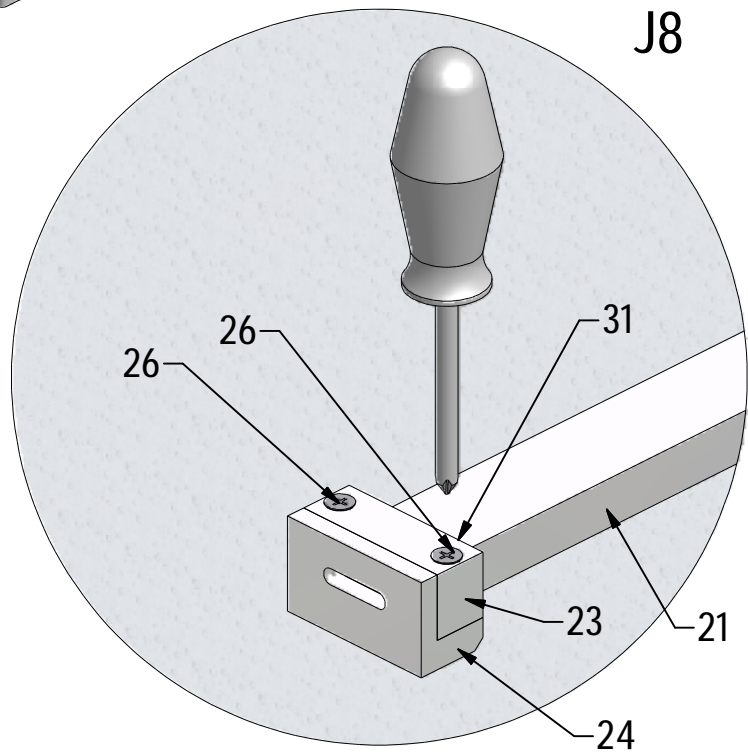
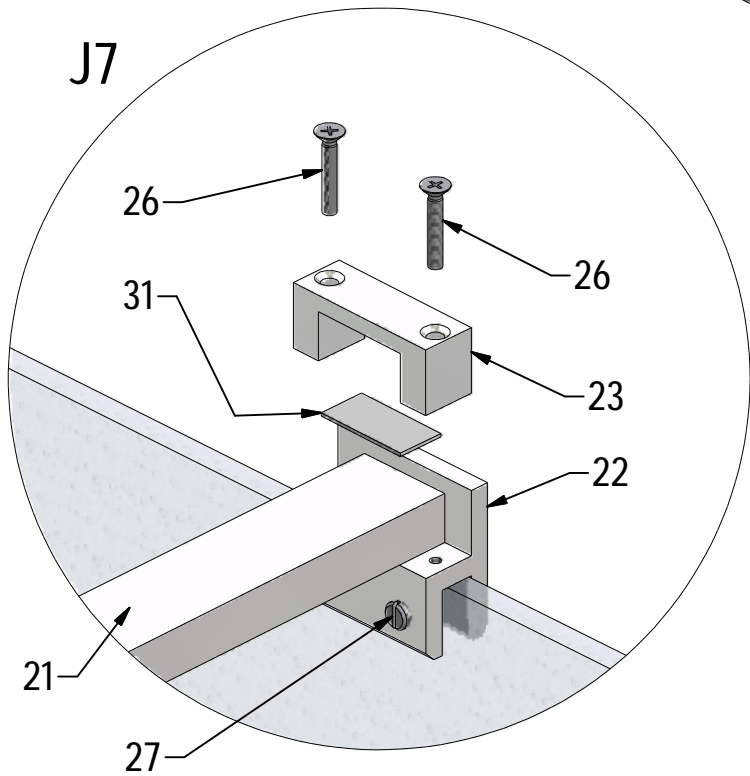
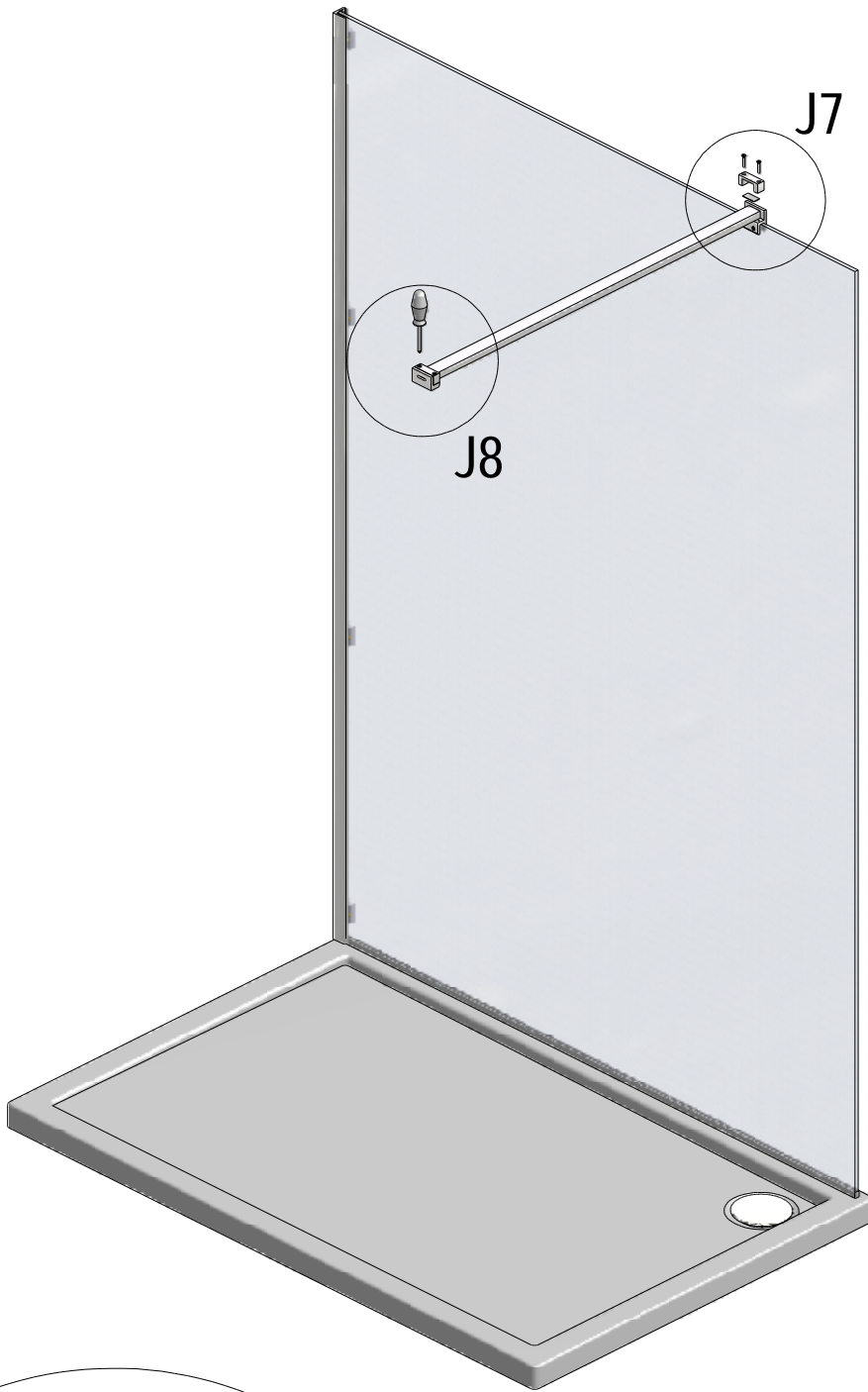


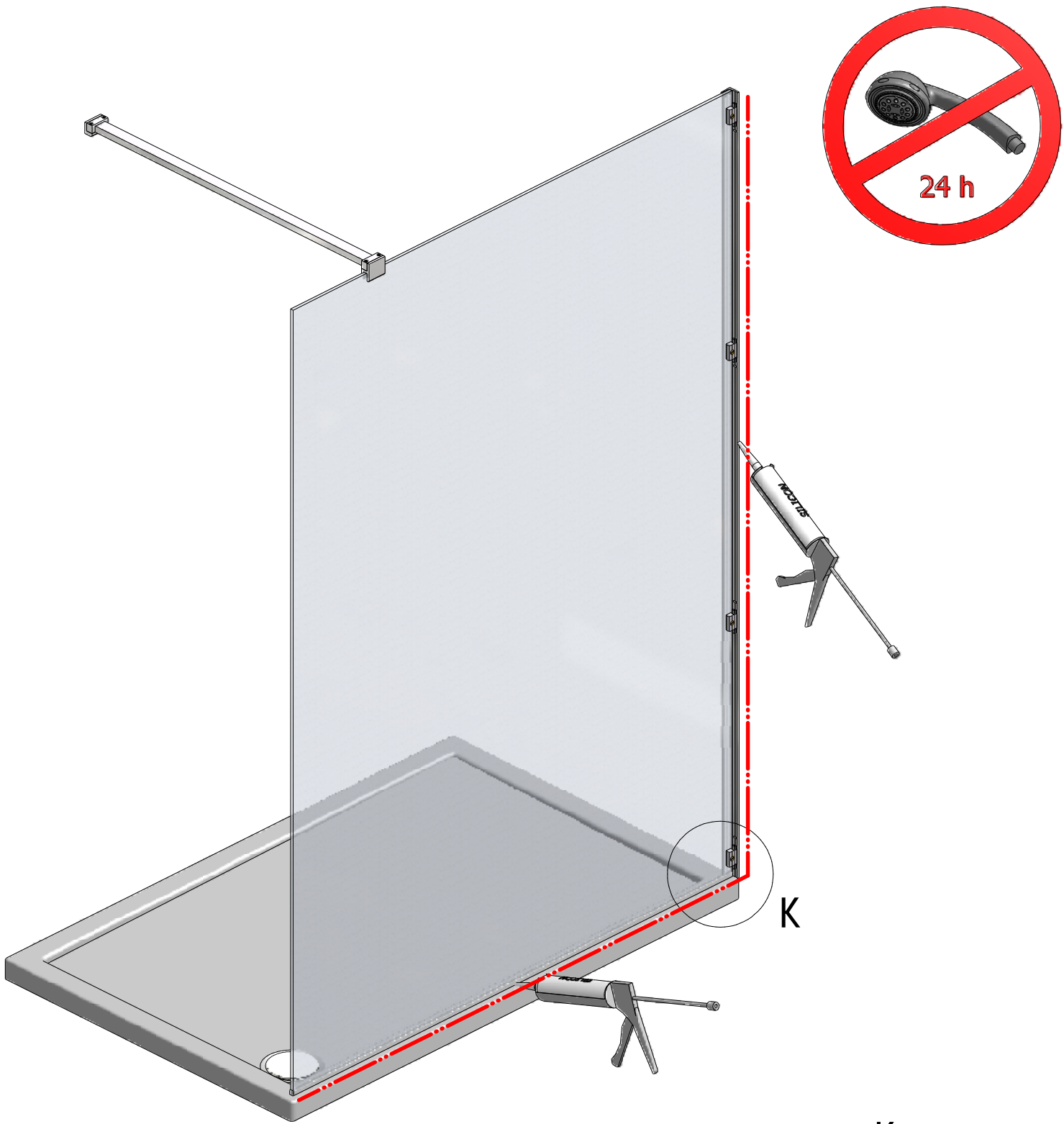
J6



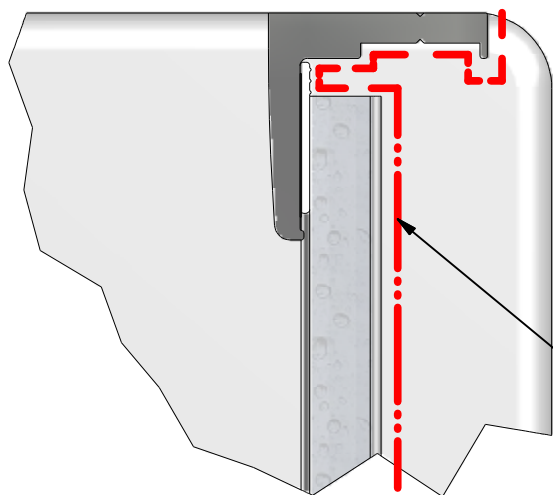
J6





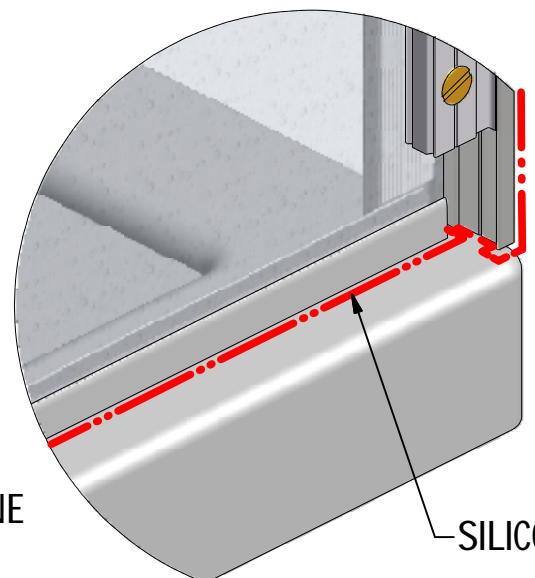


K

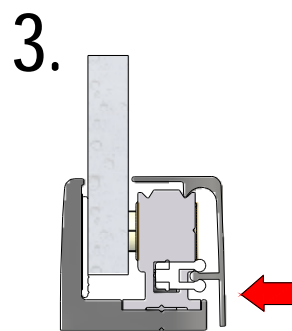
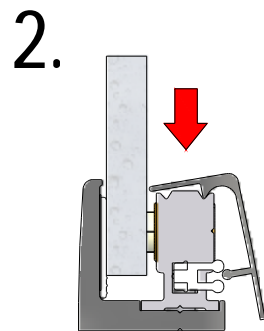
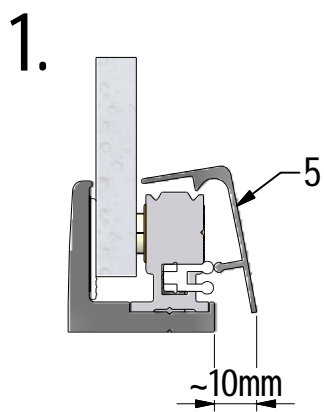
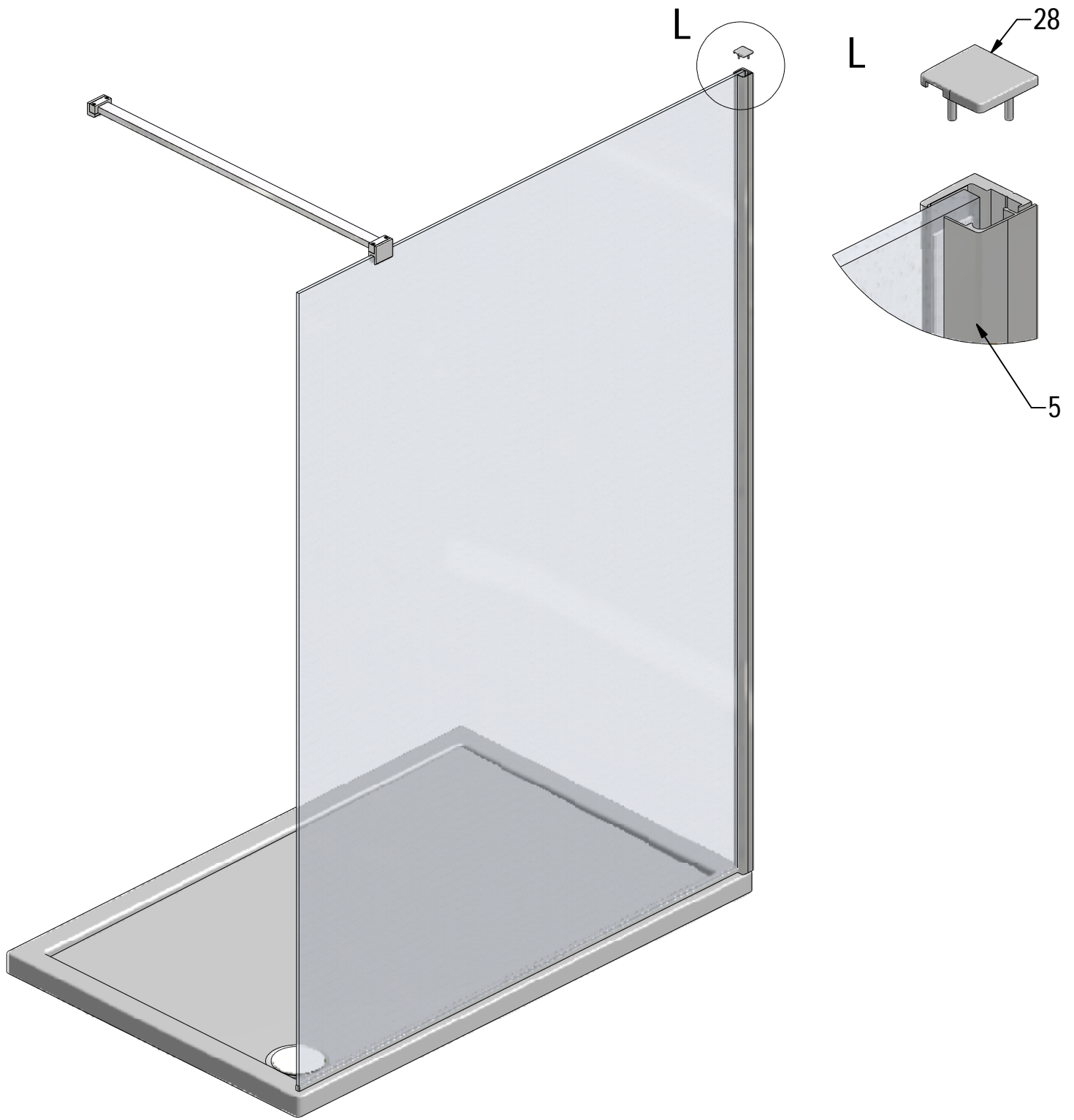


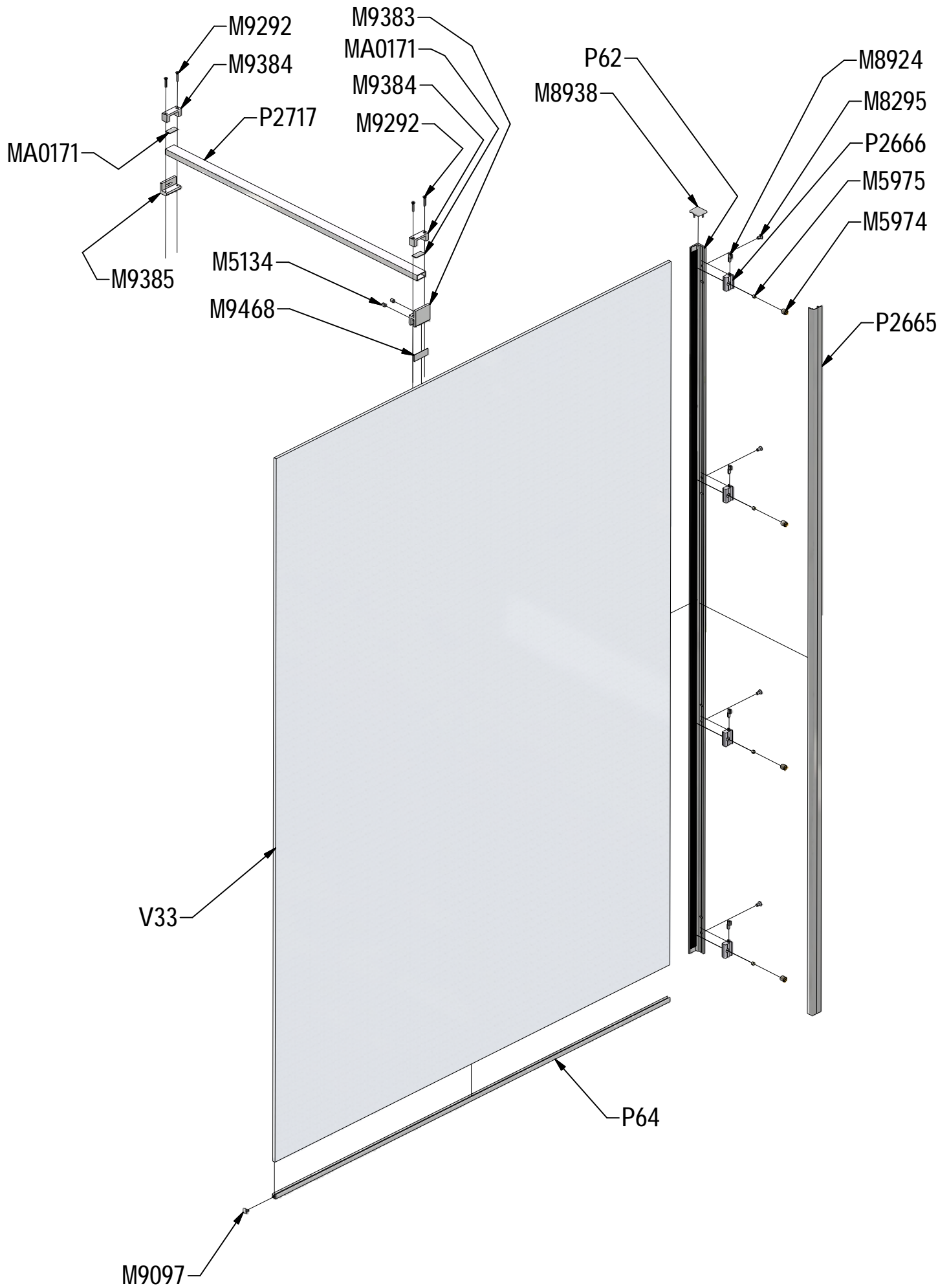
SILICONE

K



SILICONE





P62			ND01-2362-00
P64	1000		P2739
	1200		P2740
	1400		P2741
	1500		P2742

V33	1000	clear glass	ND03-0374-00-02
	1200	clear glass	ND03-0375-00-02
	1400	clear glass	ND03-0376-00-02
	1500	clear glass	ND03-0377-00-02





**ROLTECHNIK a.s. / Třebov 160 / 569 33,  
CZECH REPUBLIC**

**10**

**EN 14428:2008+A1**